

Triple Balanced Mixers B61Q 6.0 to 18.0 GHz

Specifications

| | |
|--------------|-----------------|
| RF Frequency | 6.0 to 18.0 GHz |
| LO Frequency | 6.0 to 18.0 GHz |
| LO Power | +19 dBm typ |

Transfer Characteristics

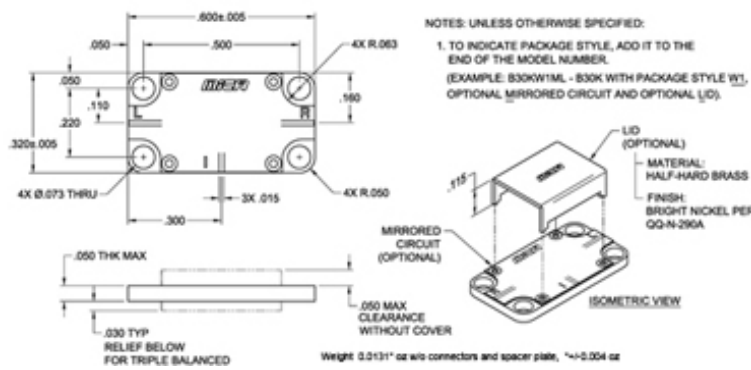
| | |
|--------------------|--------------------------|
| Conversion Loss | 7.0 dB typ 8.5 dB max |
| IF Frequency | 1.5 to 8.0 GHz |
| LO to RF Isolation | 20 dB min 28 dB typ |
| LO to IF Isolation | 17 dB min 26 dB typ |
| IP3 In | +21 dBm typ |
| P1dB In | +13 dBm typ |



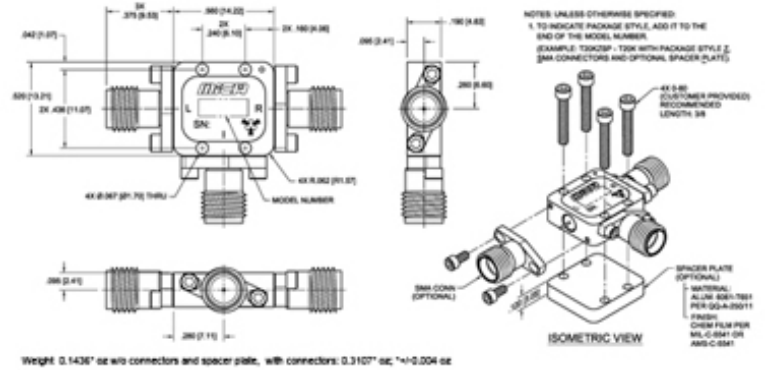
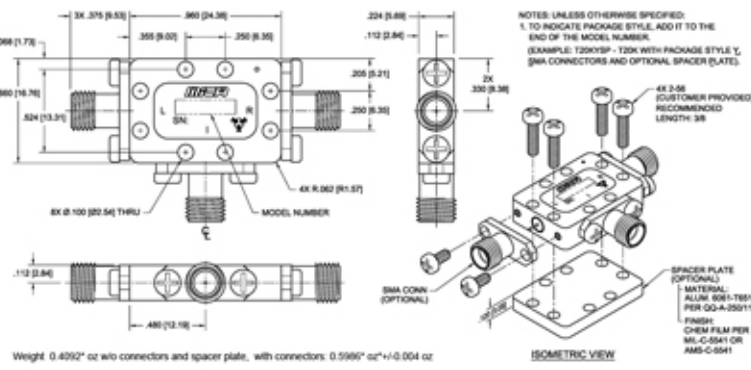
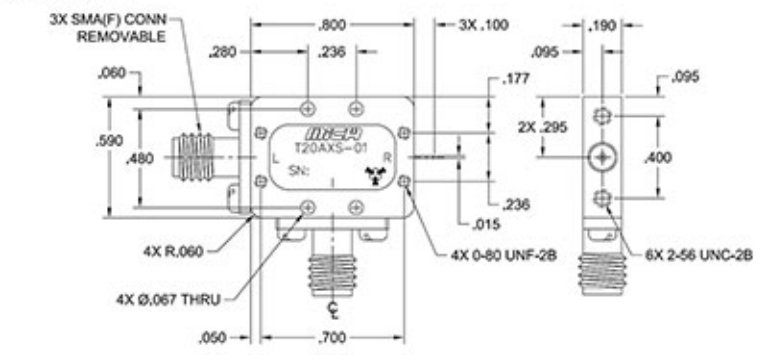
Available Package Styles

Available Package Styles

W1,X,Y,Z



X PACKAGE



Environmental Ratings

Operating Temp -55 °C to 100 °C

Notes

Specifications subject to change without notice

Mica Microwave | Manteca, CA | 1-209-825-3977 | www.Mica-MW.com



