

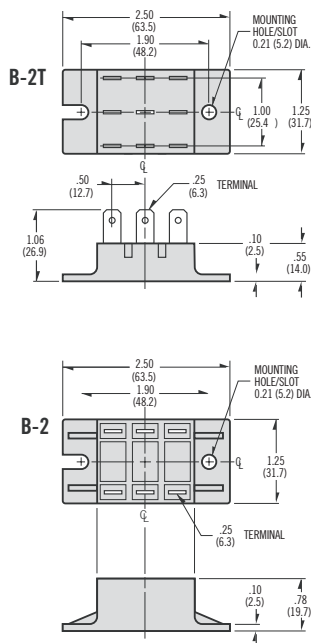


Modules come in eight standard circuits and are designed to control AC or DC variable voltage output up to 15KW. The package comes with standard .250 quick-connect terminals. All models have 2500 Vrms isolation and are UL recognized E72445. Optional isolation barriers are available.

- **Eight Standard Circuits**
- **AC or DC Variable Voltage Output to 15KW**

Mechanical Dimensions

All dimensions are in inches (millimeters)



Electrical Specifications

	B5	B6
I_D Maximum DC Output Current @ $T_c = 85^\circ\text{C}$ (A)	25	42.5
V_F Maximum Voltage Drop @ Amps Peak	1.65V @ 25A	1.6V @ 42.5A
T_J Operating Junction Temperature Range	-40°C to +125°C	
di/dt Critical Rate of Rise of On-State Current @ $T_J=125^\circ\text{C}$ (A/ μs)	100	
dv/dt Critical Rate of Rise of Off-State Voltage	500	
V_{RMS} Repetitive Peak Reverse Voltage (AC Line Input Voltage)	400 (120Vac) 600 (240Vac) 800 (280Vac) 1200 (480Vac)	
I_{TSM} Maximum Non-Repetitive Surge Current (A) [$1/2$ Cycle, 60Hz]	250	600
I^2T Maximum I^2T for Fusing ($A^2\text{sec}$) [$t=8.3\text{ms}$]	260	1500
I_{GT} Maximum Required Gate Current to Trigger @ 25°C (mA)	60	80
V_{GT} Maximum Required Gate Voltage to Trigger @ 25°C (V)	2.5	3.0
$P_{G(AV)}$ Average Gate Power	0.5W	
V_{GM} Maximum Peak Gate Voltage (Reverse)	5.0V	
$R_{\theta JC}$ Maximum Thermal Resistance Junction to Ceramic Base per Chip	0.9°C/W	0.7°C/W
V_{ISOL} Isolation Voltage	2500 V_{RMS}	

Mechanical Specifications

Weight (Typical)	1.5 oz. (42.5g)
------------------	-----------------

ISO9001 CERTIFIED

Competitive part number cross-reference available at: www.cynergy3.com

Approvals

UL - E72445

USA

Sales & Tech Support (866) 258-5057
 Email: sales@cynergy3.com
 Cynergy3 Components
 2320 Paseo de las Americas, Suite 104
 San Diego, CA 92154

EUROPE - UK

Telephone +44 (0) 1202 897969
 Fax +44 (0) 1202 891918
 Email: sales@cynergy3.com
 Cynergy3 Components Ltd.
 7 Cobham Road
 Ferndown Industrial Estate
 Wimborne, Dorset BH21 7PE

ASIA - Thailand

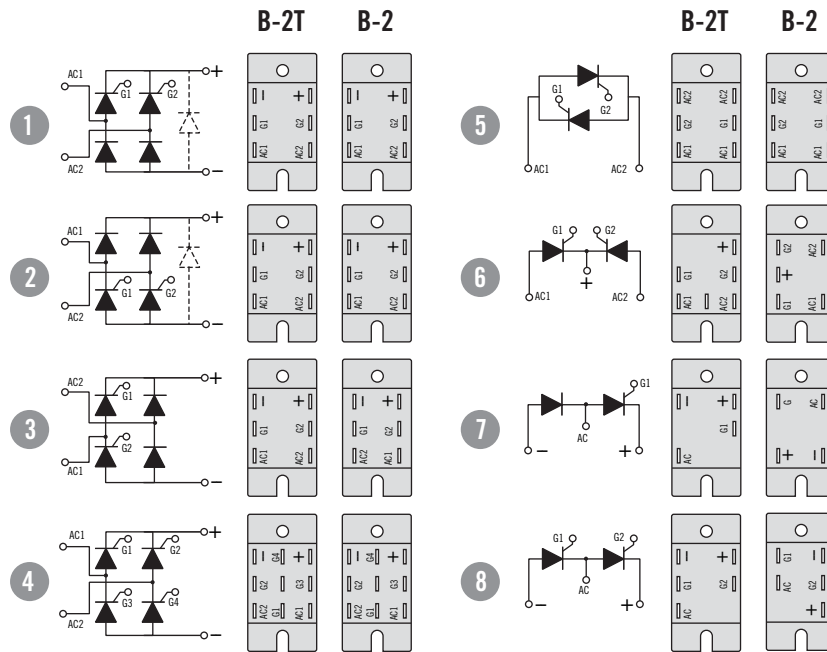
Telephone +66 (0)2 665 2517
 Fax +66 (0)2 665 2588
 Cynergy 3 Components, Asia
 18/8 Fico Place 12th Floor
 Soi Sukhumvit 21 (Asoke)
 Klongtoey Nua, Wattana
 Bangkok, Thailand 10110



Part Number Identification

Series	Current	Circuit Type	AC Line Voltage	Options*	Case Style
B	5 - 25 Amps	1 - 8	1 - 120 Vac	F - Free	-2T (Std)
	6 - 42.5 Amps	(see schematic diagrams)	2 - 240 Vac	Wheeling Diode	-2 with Isolation Barriers
			3 - 280 Vac	SE - External Suppressor	
			4 - 480 Vac		

Example: B512FSE-2T



ISO9001 CERTIFIED

Competitive part number cross-reference available at: www.cynergy3.com

Approvals

UL - E72445

USA

Sales & Tech Support (866) 258-5057
 Email: sales@cynergy3.com
 Cynergy3 Components
 2320 Paseo de las Americas, Suite 104
 San Diego, CA 92154

EUROPE - UK

Telephone +44 (0) 1202 897969
 Fax +44 (0) 1202 891918
 Email: sales@cynergy3.com
 Cynergy3 Components Ltd.
 7 Cobham Road
 Ferndown Industrial Estate
 Wimborne, Dorset BH21 7PE

ASIA - Thailand

Telephone +66 (0)2 665 2517
 Fax +66 (0)2 665 2588
 Cynergy 3 Components, Asia
 18/8 Fico Place 12th Floor
 Soi Sukhumvit 21 (Asoke)
 Klongtoey Nua, Wattana
 Bangkok, Thailand 10110