



STEVAL-MKI119V1

eMotion Win8: STEVAL-MKI109V2 + STEVAL-MKI108V2 demonstration board

Data brief

Features

- Ready to support iNemoEngine_PW8
- Compatible with all available ST EMS adapter boards
- Controlled by the STM32F103RE high performance ARM 32-bit Cortex™-M3 CPU
- Includes a DIL24 socket for easy MEMS adapter connection
- 3 V on-board linear voltage regulator DFU compatible for USB microprocessor firmware update
- USB 2.0 full-speed compliant
- Debugging connector for SWD/JTAG
- L3GD20 and LSM303DLHC 9-axis module designed to be plugged into a standard DIL24 socket
- RoHS compliant

Description

The STEVAL-MKI119V1 demonstration board is a kit composed by STEVAL-MKI109V2 (eMotion: ST MEMS adapters motherboard based on the STM32F103) plus the STEVAL-MKI108V2 (L3GD20 and LSM303DLHC 9-axis module designed to be plugged into a standard DIL24 socket).

The STEVAL-MKI119V1 demonstration board is ready to be used for iNemoEngine_WP8 evaluation through firmware upgrade.

The STEVAL-MKI109V2 is a motherboard designed to provide users with a complete, ready-to-use platform for the evaluation of STMicroelectronics' MEMS products.

The board features a DIL24 socket to mount all available adapters for both digital and analog output MEMS devices.



The motherboard includes a new high-performance 32-bit microcontroller STM32F103RE

which functions as a bridge between the sensor and a PC on which it is possible to use the downloadable graphical user interface (GUI) or dedicated software routines for customized applications.

The STEVAL-MKI108V2 is included in the kit and is an adapter board designed to facilitate the evaluation of the L3GD20 and LSM303DLHC product family. The demonstration board offers an effective solution for fast system prototyping and device evaluation directly within the user's own application. The STEVAL-MKI108V2 can be plugged into a standard DIL 24 socket. The adapter provides the complete L3GD20 and LSM303DLHC pin-out and comes ready-to-use with the required decoupling capacitors on the V_{dd} power supply line.

1 Schematic diagrams

Figure 1. Circuit schematic for STEVAL-MKI109V2 (1 of 2)

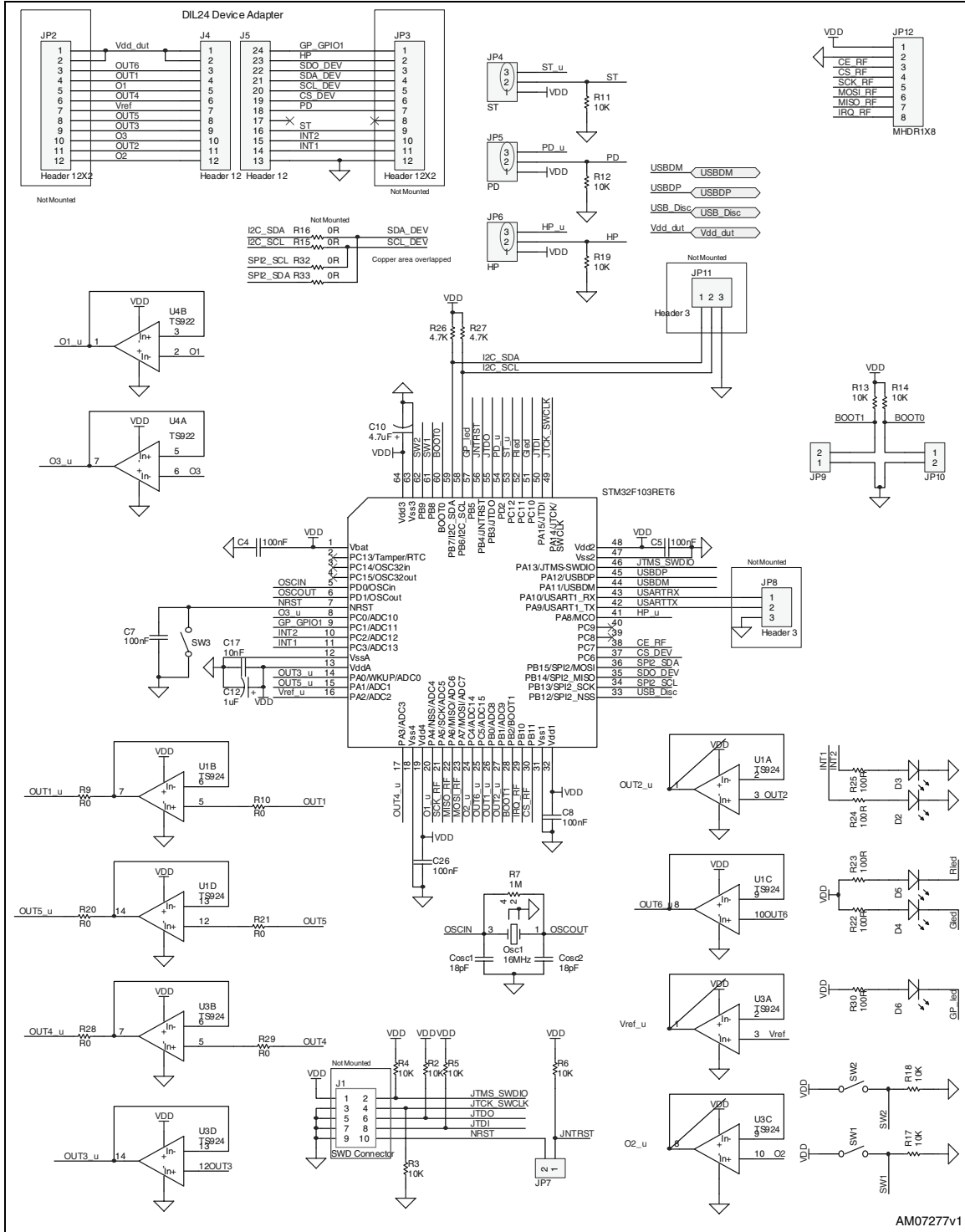


Figure 2. Circuit schematic for STEVAL-MKI109V2 (2 of 2)

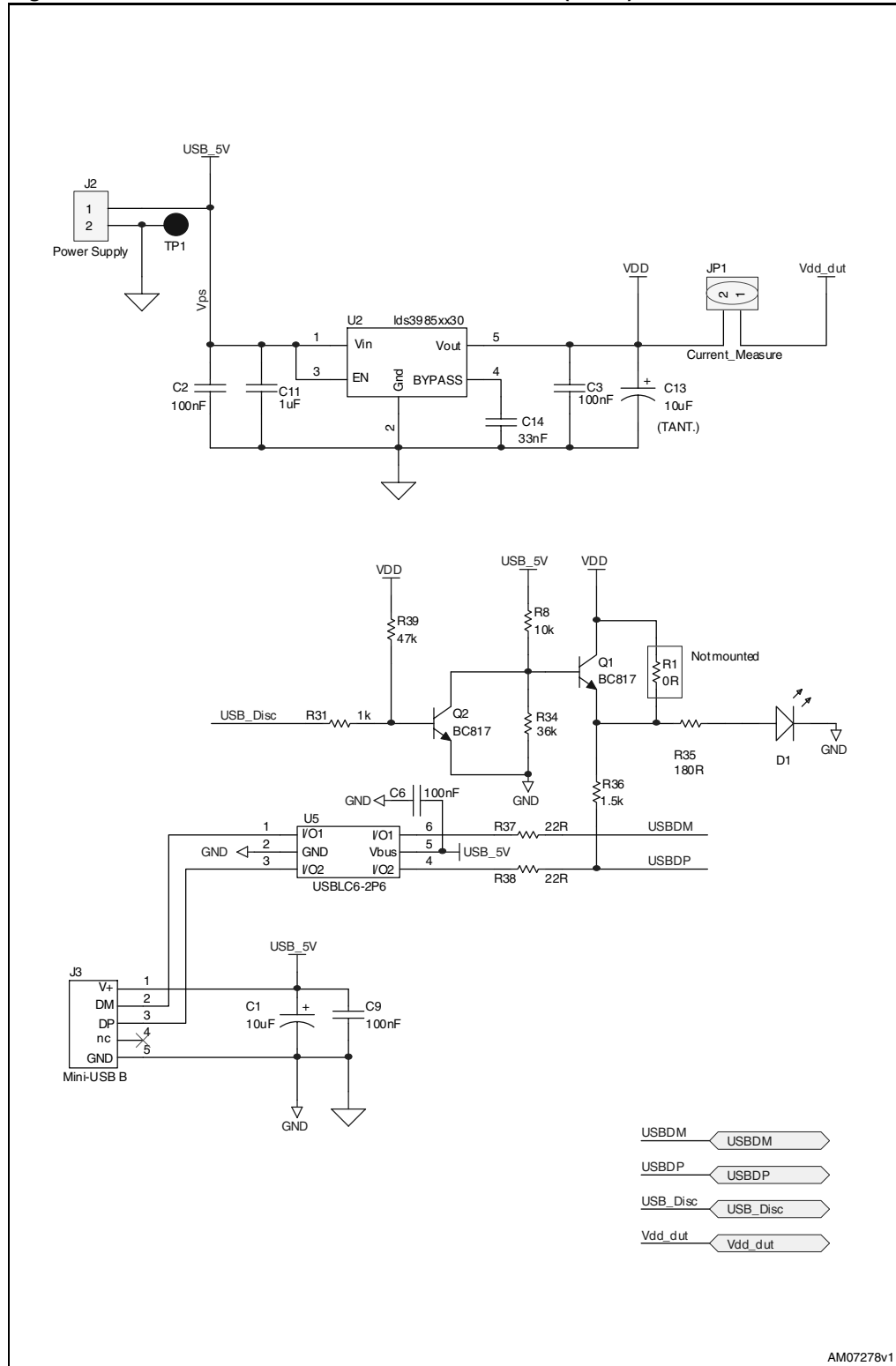
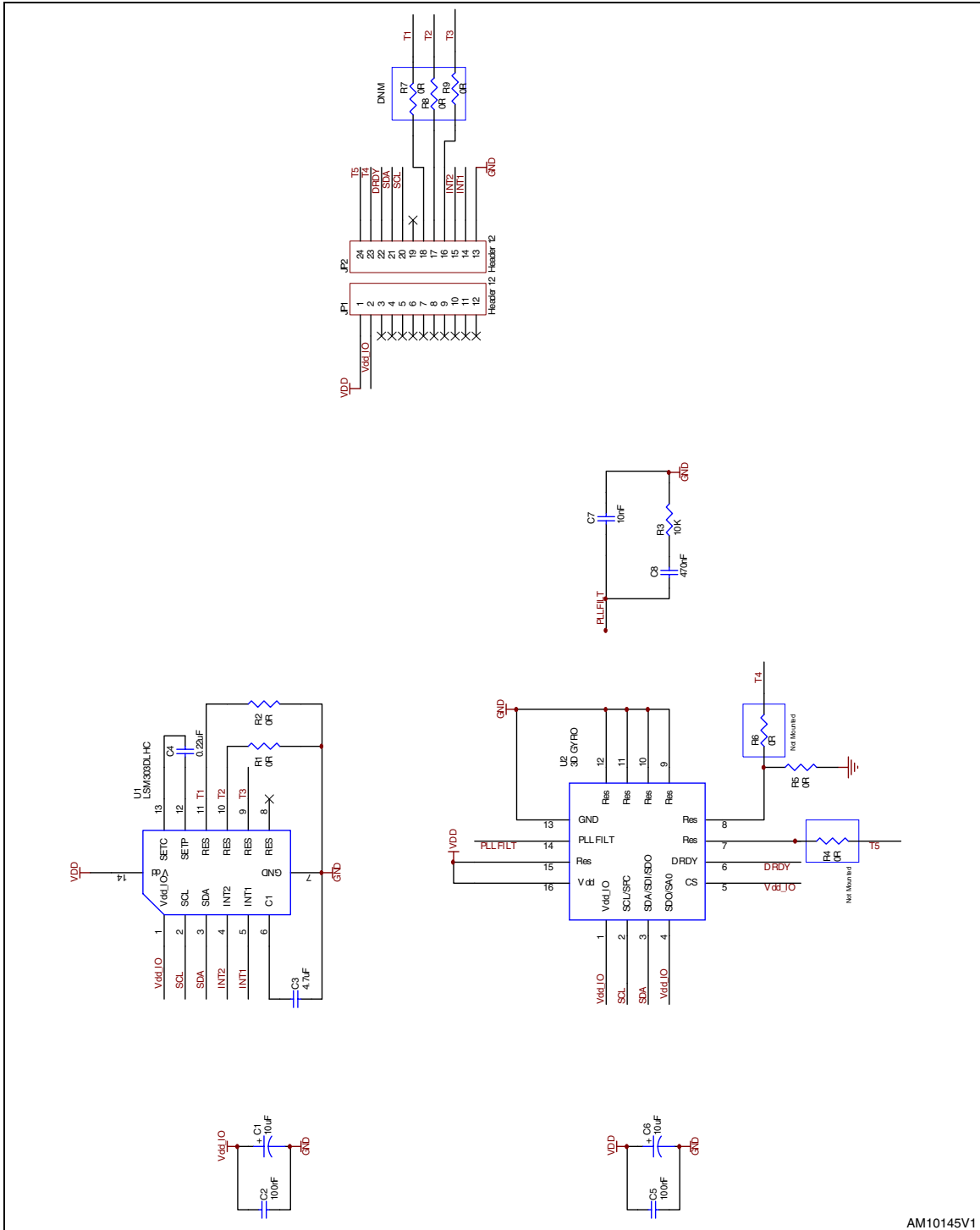


Figure 3. Circuit schematic for STEVAL-MKI108V2



AM10145V1

2 Revision history

Table 1. Document revision history

Date	Revision	Changes
03-Nov-2011	1	Initial release.

Please Read Carefully:

Information in this document is provided solely in connection with ST products. STMicroelectronics NV and its subsidiaries ("ST") reserve the right to make changes, corrections, modifications or improvements, to this document, and the products and services described herein at any time, without notice.

All ST products are sold pursuant to ST's terms and conditions of sale.

Purchasers are solely responsible for the choice, selection and use of the ST products and services described herein, and ST assumes no liability whatsoever relating to the choice, selection or use of the ST products and services described herein.

No license, express or implied, by estoppel or otherwise, to any intellectual property rights is granted under this document. If any part of this document refers to any third party products or services it shall not be deemed a license grant by ST for the use of such third party products or services, or any intellectual property contained therein or considered as a warranty covering the use in any manner whatsoever of such third party products or services or any intellectual property contained therein.

UNLESS OTHERWISE SET FORTH IN ST'S TERMS AND CONDITIONS OF SALE ST DISCLAIMS ANY EXPRESS OR IMPLIED WARRANTY WITH RESPECT TO THE USE AND/OR SALE OF ST PRODUCTS INCLUDING WITHOUT LIMITATION IMPLIED WARRANTIES OF MERCHANTABILITY, FITNESS FOR A PARTICULAR PURPOSE (AND THEIR EQUIVALENTS UNDER THE LAWS OF ANY JURISDICTION), OR INFRINGEMENT OF ANY PATENT, COPYRIGHT OR OTHER INTELLECTUAL PROPERTY RIGHT.

UNLESS EXPRESSLY APPROVED IN WRITING BY TWO AUTHORIZED ST REPRESENTATIVES, ST PRODUCTS ARE NOT RECOMMENDED, AUTHORIZED OR WARRANTED FOR USE IN MILITARY, AIR CRAFT, SPACE, LIFE SAVING, OR LIFE SUSTAINING APPLICATIONS, NOR IN PRODUCTS OR SYSTEMS WHERE FAILURE OR MALFUNCTION MAY RESULT IN PERSONAL INJURY, DEATH, OR SEVERE PROPERTY OR ENVIRONMENTAL DAMAGE. ST PRODUCTS WHICH ARE NOT SPECIFIED AS "AUTOMOTIVE GRADE" MAY ONLY BE USED IN AUTOMOTIVE APPLICATIONS AT USER'S OWN RISK.

Resale of ST products with provisions different from the statements and/or technical features set forth in this document shall immediately void any warranty granted by ST for the ST product or service described herein and shall not create or extend in any manner whatsoever, any liability of ST.

ST and the ST logo are trademarks or registered trademarks of ST in various countries.

Information in this document supersedes and replaces all information previously supplied.

The ST logo is a registered trademark of STMicroelectronics. All other names are the property of their respective owners.

© 2011 STMicroelectronics - All rights reserved

STMicroelectronics group of companies

Australia - Belgium - Brazil - Canada - China - Czech Republic - Finland - France - Germany - Hong Kong - India - Israel - Italy - Japan - Malaysia - Malta - Morocco - Philippines - Singapore - Spain - Sweden - Switzerland - United Kingdom - United States of America

www.st.com