

### Features

- Low Quiescent Current : 120uA (No load)
- Low Dropout Voltage : 300mV ( $V_{OUT}=3.3V @ 500mA$ )
- Fixed Output Voltage : 1.3V,1.4V,1.5V,1.6V, 1.7V,1.8V,1.9V, 2.0V,2.1V,2.2V,2.3V,2.4V, 2.5V,2.6V,2.7V, 2.8V,2.9V,3.0V,3.1V,3.2V, 3.3V,3.4V.
- Stable with 4.7uF Output Capacitor
- Stable with Aluminum , Tantalum or Ceramic Capacitors .
- Reverse Current Protection
- No Protection Diodes Needed
- Built in Thermal Protection
- Built in Current Limit Protection
- Controlled Short Circuit Current : 50mA
- Fast transient Response
- Short Setting Time
- SOP-8, TSSOP-8 and MSOP-8 Packages.
- Adjustment-free Reset Detection Voltage : 3.9V or 4.2V typ.
- Easy to Set Delay Time from Voltage Detection to Reset Release.
- Reset and  $\overline{\text{Reset}}$  output

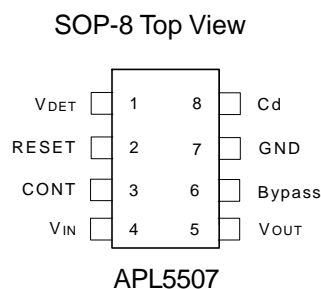
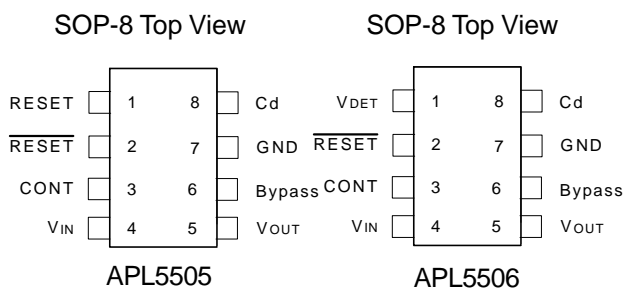
### Applications

- CD-ROM drive.

### General Description

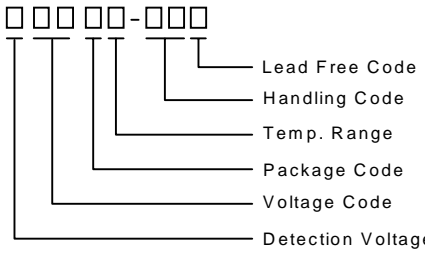
The APL5505/6/7 is micropower, low noise, low dropout regulators with a reset function (regulator input (APL5505) or specific voltage (APL5506/7) monitoring), and internal delay circuit, set to detect 3.9V or 4.2V. Operate from 3V to 6V input voltage and deliver up to 500mA. Typical output noise is just 180uV<sub>RMS</sub> with an external 0.01uF bypass capacitor connected in BP pin and the typical dropout voltage is only 300mV at 500mA loading. Design with an internal P-channel MOSFET pass transistor, the APL5505/6/7 maintains a low supply current, independent of the load current and dropout voltage. Other features include reverse current protection, thermal-shutdown protection, current limit protection to ensure specified output current and controlled short-circuit current. The APL5505/6/7 regulators come in miniature SOP-8, TSSOP-8 and MSOP-8 packages.

### Pin Configuration



ANPEC reserves the right to make changes to improve reliability or manufacturability without notice, and advise customers to obtain the latest version of relevant information to verify before placing orders.

## Ordering and Marking Information

<p>APL5505/6/7 - □□□□-□□□□</p>  <p>Lead Free Code Handling Code Temp. Range Package Code Voltage Code Detection Voltage</p>	<p>Package Code K : SOP-8    O : TSSOP-8 X : MSOP-8 Temp. Range C : 0 to 70 °C    I : -40 to 85 °C Handling Code TR : Tape &amp; Reel Voltage Code : 13 : 1.3V ~ 34 : 3.4V Detection Voltage : A : 3.9V    B : 4.2V Lead Free Code L : Lead Free Device                      Blank : Original Device</p>
<p>APL5505/6/7 :    <span style="border: 1px solid black; padding: 2px;">APL5505/6/7X XXXXX13</span></p>	<p>X        - Detection Voltage XXXXX - Date Code , 13 - 1.3V</p>

## Pin Description

PIN		I/O	Description
No.	Name		
1	RESET(5505)	O	Input voltage detection output pin , high = $V_{IN} < V_S$ , low = $V_{IN} > V_S$
	$V_{DET}$ (5506/7)	I	Input pin of voltage detection.
2	RESET(5507)	O	Input voltage detection output pin , high = $V_{IN} < V_S$ , low = $V_{IN} > V_S$
	RESET(5506)		Input voltage detection output pin , low = $V_{IN} < V_S$ , high = $V_{IN} > V_S$
3	CONT	I	Output voltage on/off-control pin, low = off , high = on.
4	$V_{IN}$	O	Voltage supply input pin.
5	$V_{OUT}$	O	Regulator output pin.
6	Bypass		Bypass signal pin, connect a bypass capacitor to reduce output noise.
7	GND		GND pin
8	Cd		Delay time capacitor pin, RESET pin output delay time can be set by the capacitance connected to the Cd pin. $t_{PLH} = 160000 * C$ , $t_{PLH}$ : transmission delay time (s), C:capacitor value (F)

## Absolute Maximum Ratings

Symbol	Parameter	Rating	Unit
$V_{IN}, V_{OUT}$	Input Voltage or Out Voltage	6	V
CONT	Shutdown Control Pin	6	V
$V_{det}$	RESET pin supply voltage	6	V
$R_{TH,JA}$	Thermal Resistance – Junction to Ambient	210	°C/W
$P_D$	Power Dissipation	Internally Limited	W
$T_J$	Operating Junction Temperature		
	Control Section	0 to 125	°C
	Power Transistor	0 to 150	
$T_{STG}$	Storage Temperature Range	-65 to +150	°C
$T_L$	Lead Temperature (Soldering, 10 second)	260	°C

## Electrical Characteristics

Unless otherwise noted these specifications apply over full temperature,  $V_{IN}=5V$ ,  $C_{IN}=4.7\mu F$ ,  $C_{OUT}=4.7\mu F$ ,  $CONT=V_{IN}$ ,  $T_J=0$  to  $125^\circ C$ . Typical values refer to  $T_J=25^\circ C$ .

Symbol	Parameter	Test Conditions	APL5505/6/7			Unit
			Min.	Typ.	Max.	
$V_{IN}$	Input Voltage		2.7		6	V
$V_{OUT}$	Output Voltage	$V_{OUT}+1.0V < V_{CC} < 6.0V$ , $0mA < I_{OUT} < I_{MAX}$	$V_{OUT}-2\%$	$V_{OUT}$	$V_{OUT}+2\%$	V
$I_{LIMIT}$	Circuit Current Limit	$V_{IN}=5V$		700		mA
$I_{SHORT}$	Short Current	$V_{OUT}=0V$		50		mA
$I_{OUT}$	Load Current		500			mA
$REG_{LINE}$	Line Regulation	$V_{OUT}+0.5V < V_{CC} < 6.0V$ , $0mA < I_{OUT} < I_{MAX}$		1	6	mV
$REG_{LOAD}$	Load Regulation	$V_{IN}=5V$ , $0mA < I_{OUT} < I_{MAX}$		1	6	mV
$V_{DROP}$	Dropout Voltage <sup>(Note)</sup> ( $V_{OUT}$ (Nominal)=3.0V Version)	$I_{OUT}=500mA$		300	450	mV
PSRR	Ripple Rejection	$F \leq 1kHz$ , 1Vpp at $V_{IN} = V_{OUT}+1.0V$	45	55		dB
$I_Q$	Quiescent Current	No load		120		$\mu A$
	Shutdown Supply Current	$CONT = low$ $I_{OUT}=0$ , $V_{CC} = 6.0V$		80		$\mu A$
	Noise	$100Hz < f < 80kHz$ , typical load, $C_{BP}=0.01\mu F$		180		$\mu V$
	Shutdown Recovery Delay	$C_{BP}=0.01\mu F$ , $C_{OUT}=1\mu F$ , no load $CONT=L \rightarrow H$		400		$\mu s$
OTS	Over Temperature			150		$^\circ C$
	Over Temperature	Hysteresis		10		$^\circ C$
TC	Output Voltage Temperature Coefficient			50		ppm/ $^\circ C$
$C_{OUT}$	Output Capacitor			4.7		$\mu F$
	ESR		0.02	0.1	1	Ohm
	Shutdown Input Threshold	$V_{OUT}+1.0V < V_{IN} < 6.0V$		1.6		V
$I_{CONT}$	Shutdown input Bias current	$V_{CONT}=V_{IN}$		0.01	100	nA
	Reverse Protection Threshold			11	50	mV

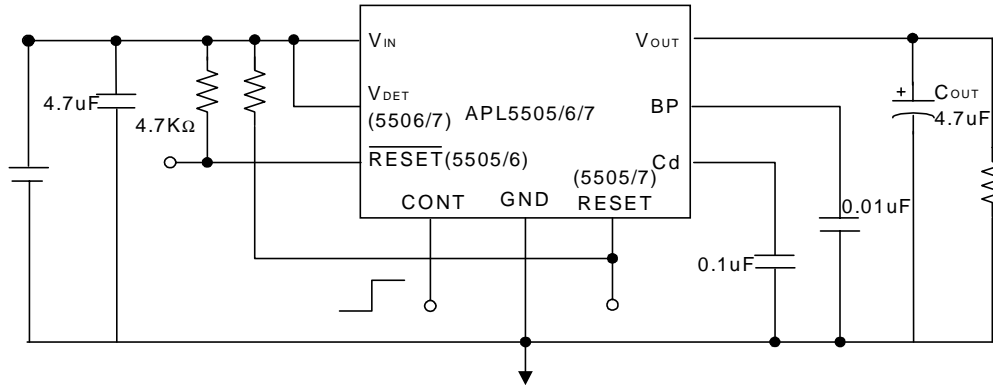
Note: Dropout voltage definition :  $V_{IN}-V_{OUT}$  when  $V_{OUT}$  is 2% below the value of  $V_{OUT}$  for  $V_{IN} = V_{OUT} + 0.5V$

## Electrical Characteristics (Cont.)

Unless otherwise noted these specifications apply over full temperature ,  $V_{IN}=5V$ ,  $C_{IN}=4.7\mu F$ ,  $C_{OUT}=4.7\mu F$ ,  $CONT=V_{IN}$ ,  $T_J=0$  to  $125^\circ C$  . Typical values refer to  $T_J=25^\circ C$  .

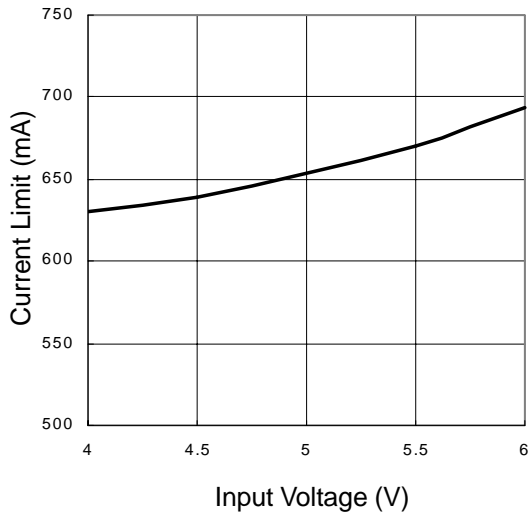
Symbol	Parameter	Test Conditions	APL5505/6/7			Unit
			Min.	Typ.	Max.	
RESET/RESET						
VS	Detection Voltage	$V_{IN} = H \rightarrow L$ (APL5505A) $V_{DET}=H \rightarrow L$ (APL5506A/5507A)		3.90		V
		$V_{IN} = H \rightarrow L$ (APL5505B) $V_{DET}=H \rightarrow L$ (APL5506B/5507B)		4.2		
$\Delta VS/\Delta T$	Vs Temperature Coefficient	$T_J = -20 \sim +80^\circ C$		100		ppm/ $^\circ C$
$\Delta VS$	Hysteresis Voltage	$V_{IN} = V_{DET} = H \rightarrow L$	100		200	mV
$V_{OL}$	Low-level Output Voltage	$V_{IN} = V_{DET} = 3.9V$ , $R_L = 4.7k$		30	60	mV
$I_{OH}$	Output Leakage Current	$V_{IN} = V_{DET} = 5V$		0.1		$\mu A$
$I_{OL1}$	Output Current1	$V_{IN} = V_{DET} = 3.9V$ , $R_L = 0$	5			mA
$I_{OL2}$	Output Current2	$V_{IN} = V_{DET} = 3.9V$ , $R_L = 0$	3			mA
$t_{PLH}$	"H" Transmission Delay Time	$C_d = 0\mu F$		40	90	$\mu s$
$t_{PLH1}$	Reset Delay Time	$V_{IN} = V_{DET} = 3.7V \rightarrow 5V$ , $C_d = 0.1\mu F$		16		ms
$t_{PHL}$	"L" Transmission Delay Time	$C_d = 0\mu F$		10	90	$\mu s$
$V_{OPL}$	Threshold Operating Voltage	$V_{OL} = 0.4V$		0.9	1.1	V

Application Circuit

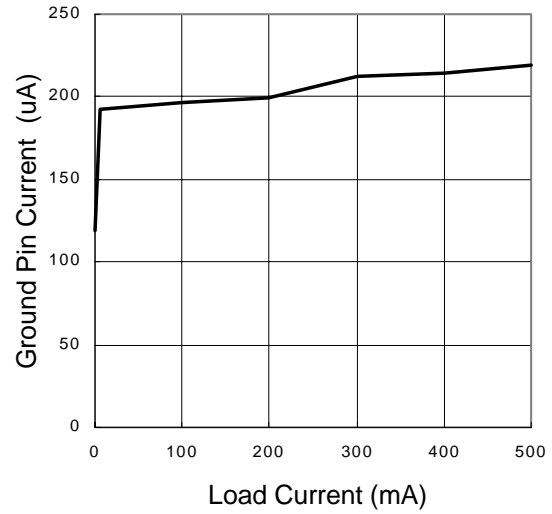


## Typical Characteristics

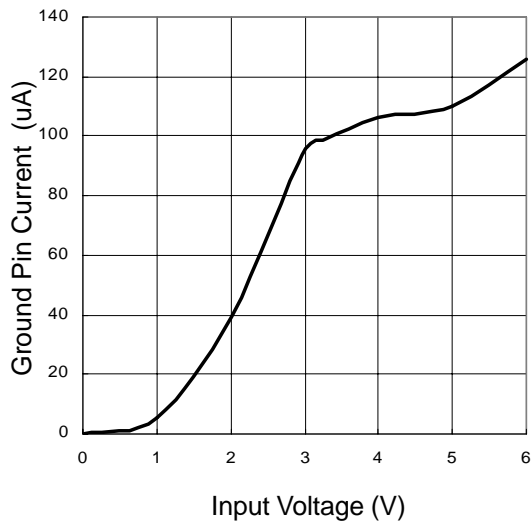
Current Limit vs. Input Voltage



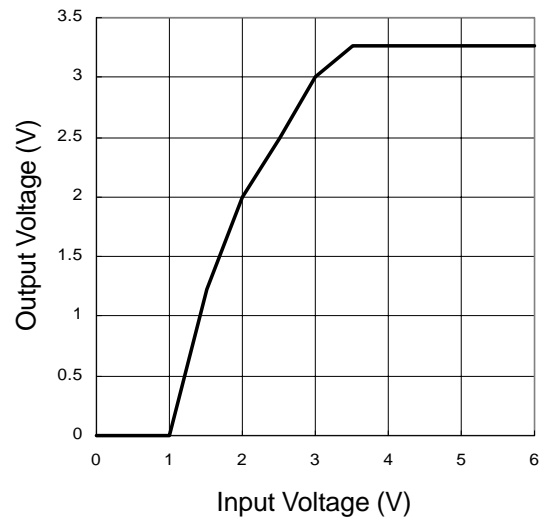
Ground Pin Current vs. Load Current



Ground Pin Current vs. Input Voltage

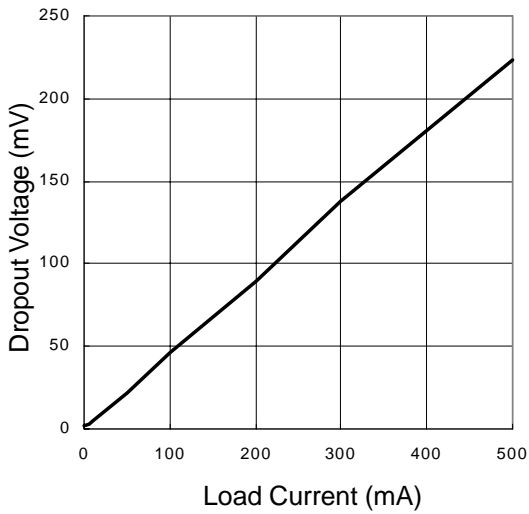


Input Voltage vs. Output Voltage

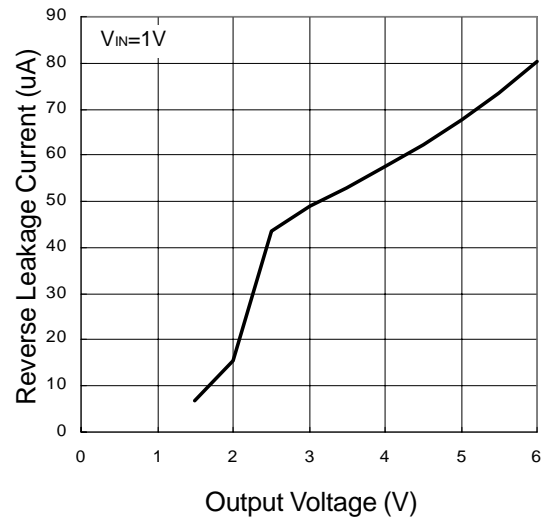


## Typical Characteristics

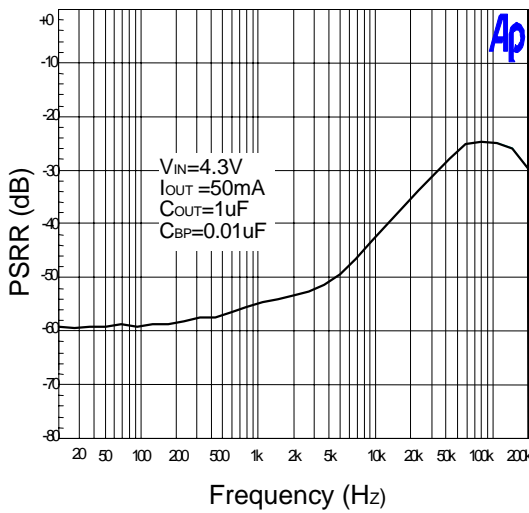
Dropout Voltage vs. Load Current



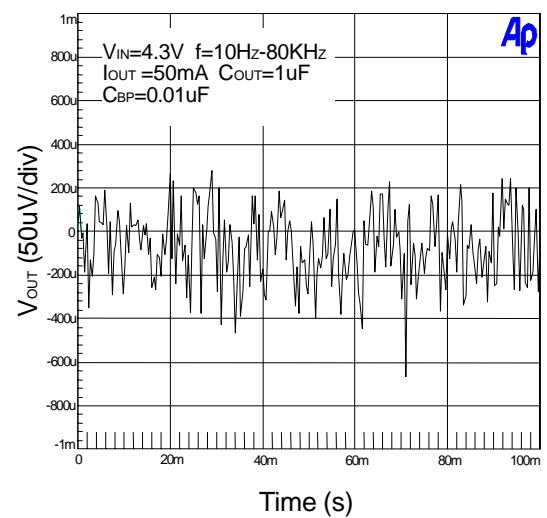
Reverse Leakage Current vs. Output Voltage



PSRR vs. Frequency

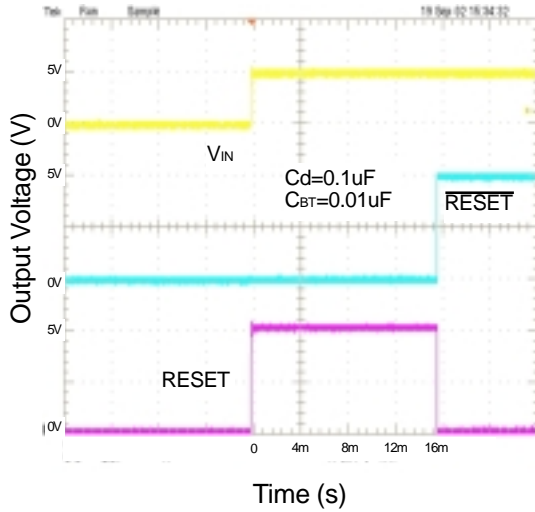


Output Noise

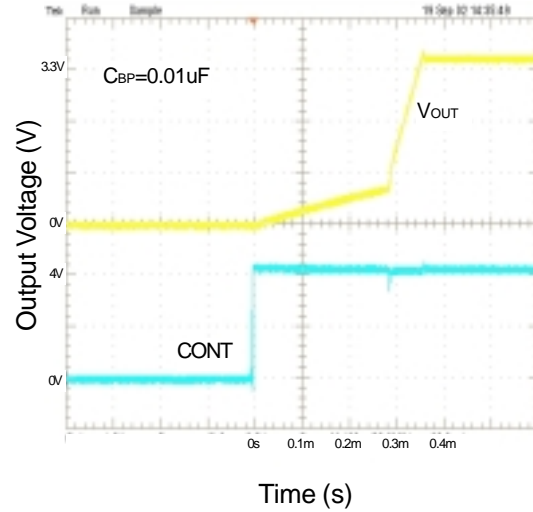


## Typical Characteristics

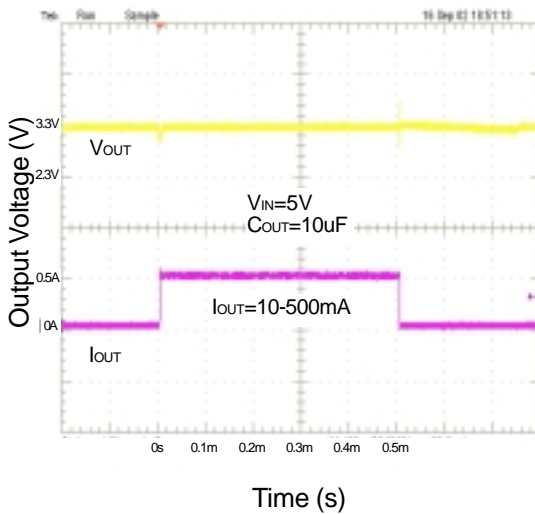
RESET and  $\overline{\text{RESET}}$  Delay Time



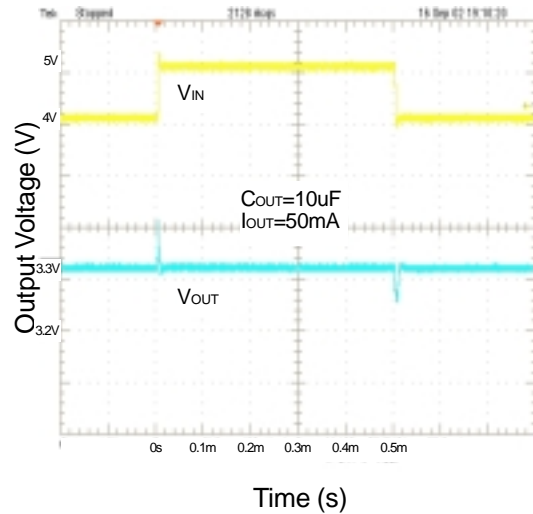
Shutdown Recovery Delay



Load-Transient Response

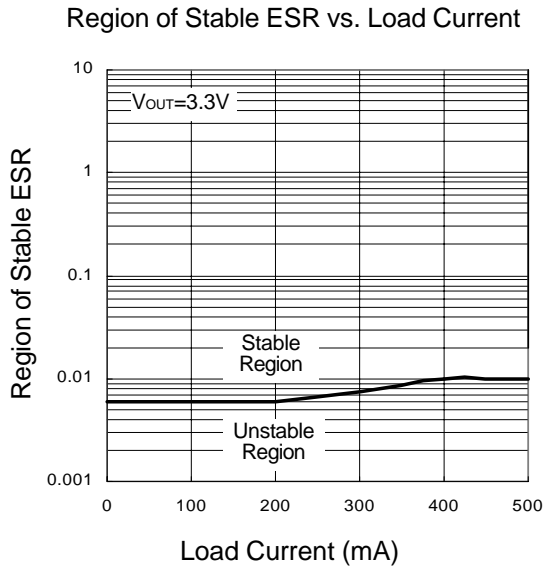


Line-Transient Response



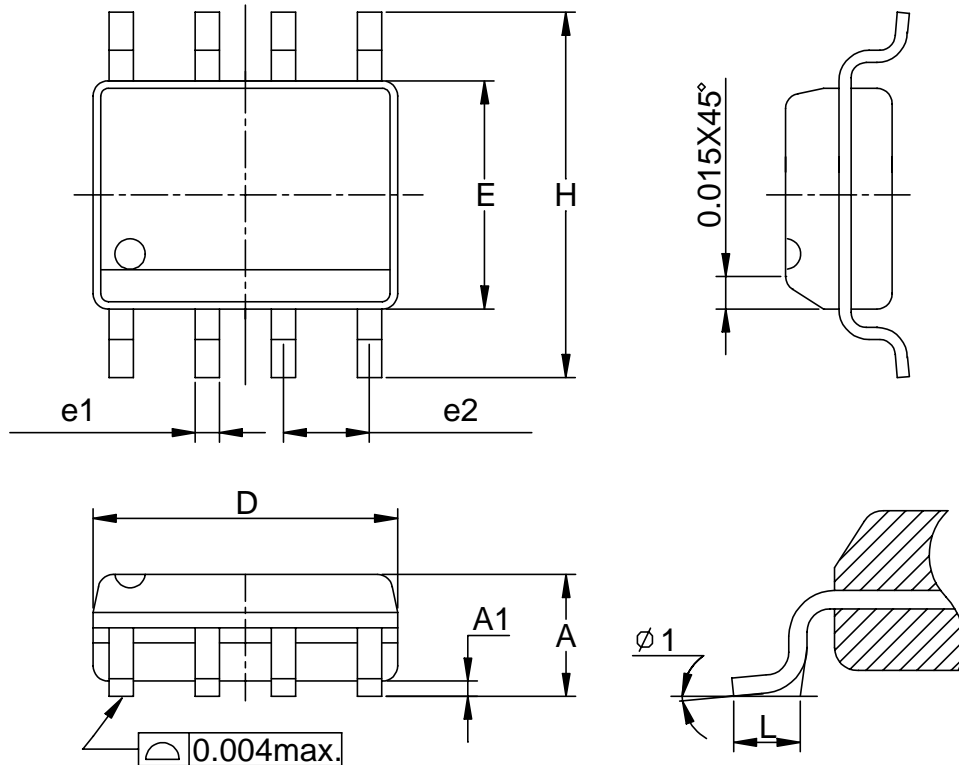


## Typical Characteristics



## Packaging Information

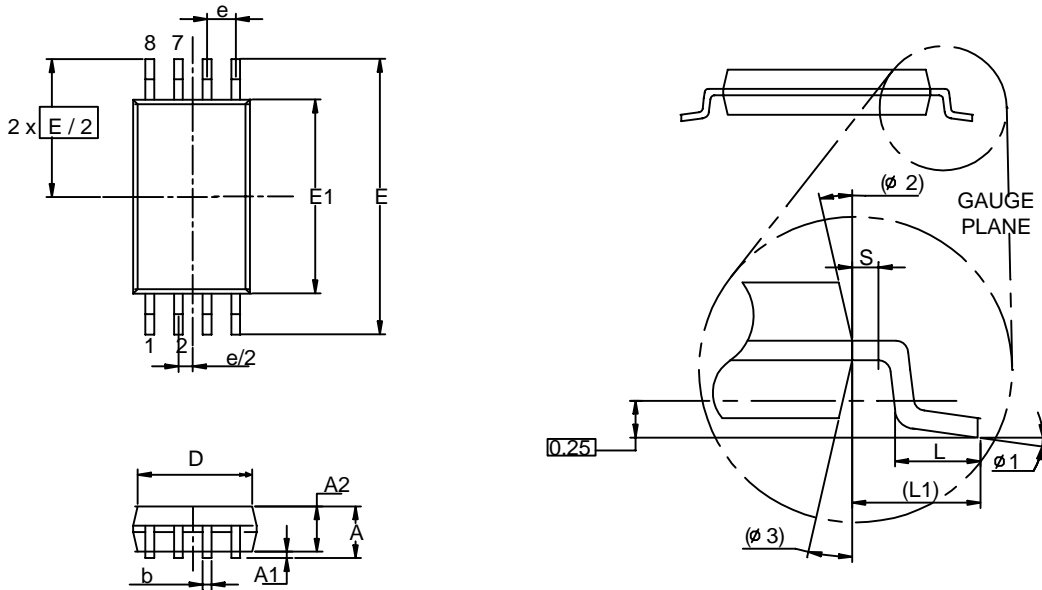
SOP-8 pin ( Reference JEDEC Registration MS-012)



Dim	Millimeters		Inches	
	Min.	Max.	Min.	Max.
A	1.35	1.75	0.053	0.069
A1	0.10	0.25	0.004	0.010
D	4.80	5.00	0.189	0.197
E	3.80	4.00	0.150	0.157
H	5.80	6.20	0.228	0.244
L	0.40	1.27	0.016	0.050
e1	0.33	0.51	0.013	0.020
e2	1.27BSC		0.50BSC	
φ 1	8°		8°	

## Packaging Information

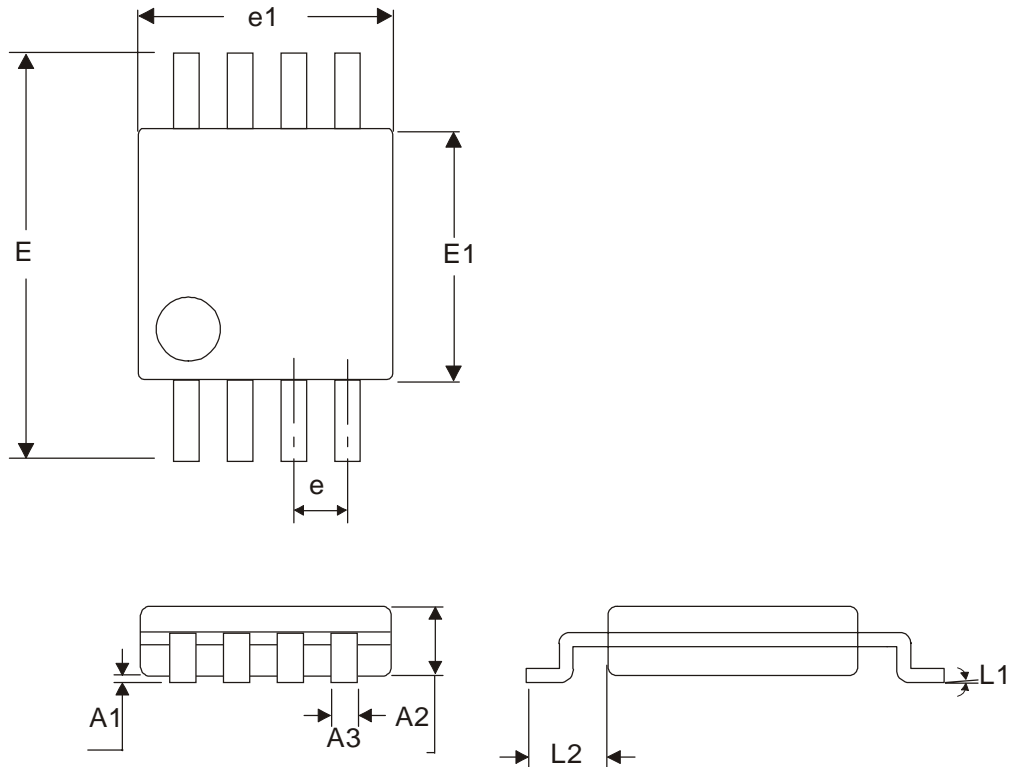
TSSOP



Dim	Millimeters		Inches	
	Min.	Max.	Min.	Max.
A		1.2		0.047
A1	0.00	0.15	0.000	0.006
A2	0.80	1.05	0.031	0.041
b	0.19	0.30	0.007	0.012
D	2.9	3.1	0.114	0.122
e	0.65 BSC		0.026 BSC	
E	6.40 BSC		0.252 BSC	
E1	4.30	4.50	0.169	0.177
L	0.45	0.75	0.018	0.030
L1	1.0 REF		0.039 REF	
R	0.09		0.004	
R1	0.09		0.004	
S	0.2		0.008	
φ1	0°	8°	0°	8°
φ2	12° REF		12° REF	
φ3	12° REF		12° REF	

## Packaging Information

MSOP

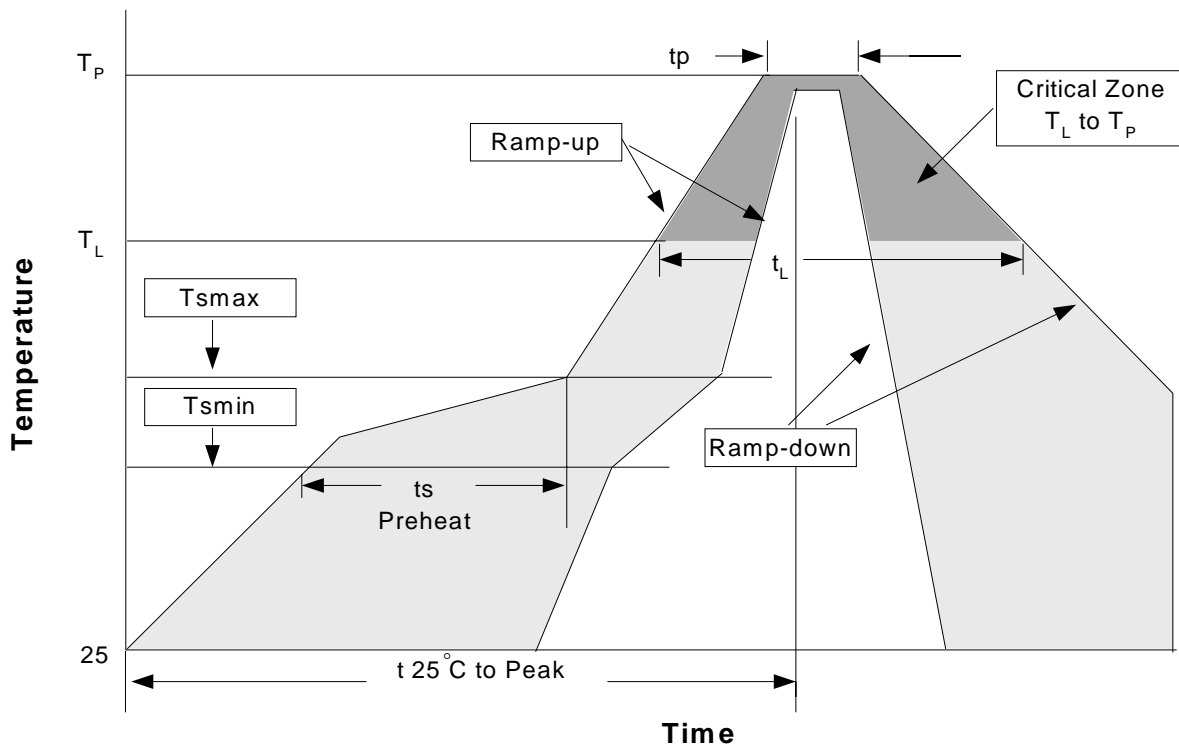


Dim	Millimeters		Inches	
	Min.	Max.	Min.	Max.
A1	0.06	0.15	0.002	0.006
A2	0.86 TYP		0.34 TYP	
A3	0.25	0.4	0.01	0.0126
e	0.65 TYP		0.0256 TYP	
e1	2.90	3.1	0.114	0.124
E	4.8	5.0	0.189	0.197
E1	2.90	3.1	0.169	0.177
L1	0.25 REF		0.039 REF	
L2	0.0375 REF		0.953 REF	

## Physical Specifications

Terminal Material	Solder-Plated Copper (Solder Material : 90/10 or 63/37 SnPb), 100%Sn
Lead Solderability	Meets EIA Specification RSI86-91, ANSI/J-STD-002 Category 3.

### Reflow Condition (IR/Convection or VPR Reflow)



### Classification Reflow Profiles

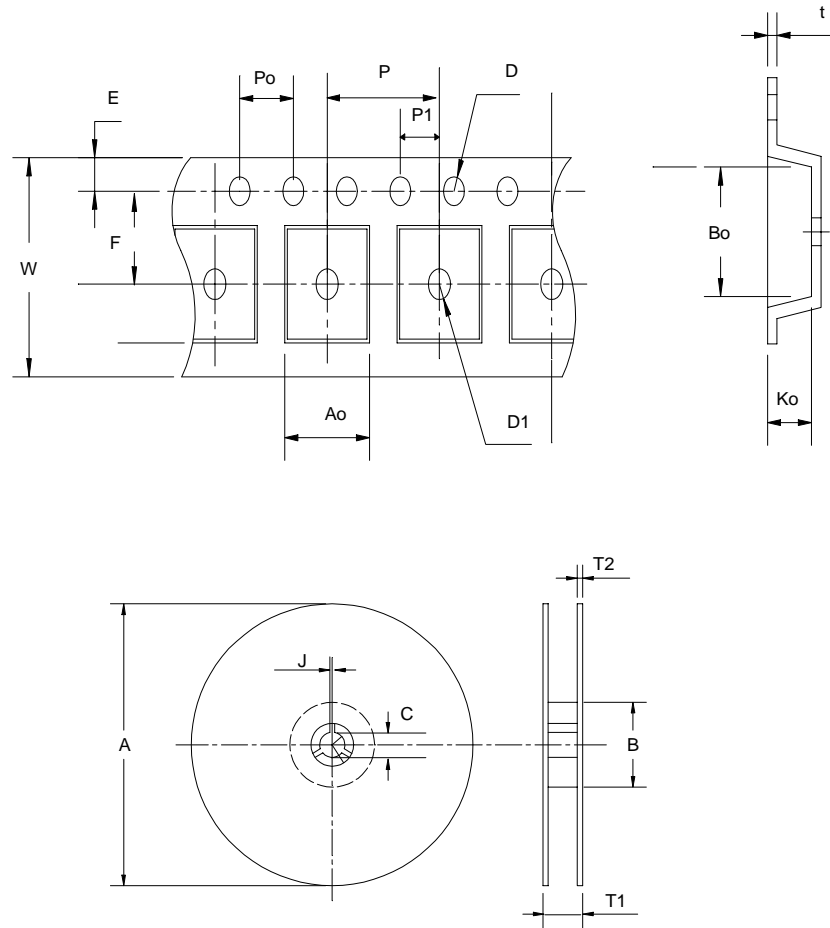
Profile Feature	Sn-Pb Eutectic Assembly		Pb-Free Assembly	
	Large Body	Small Body	Large Body	Small Body
Average ramp-up rate (T <sub>L</sub> to T <sub>P</sub> )	3°C/second max.		3°C/second max.	
Preheat				
- Temperature Min (T <sub>smin</sub> )	100°C		150°C	
- Temperature Mix (T <sub>smax</sub> )	150°C		200°C	
- Time (min to max)(t <sub>s</sub> )	60-120 seconds		60-180 seconds	
T <sub>smax</sub> to T <sub>L</sub>				
- Ramp-up Rate			3°C/second max	
T <sub>smax</sub> to T <sub>L</sub>				
- Temperature(T <sub>L</sub> )	183°C		217°C	
- Time (t <sub>L</sub> )	60-150 seconds		60-150 seconds	
Peak Temperature(T <sub>p</sub> )	225 +0/-5°C	240 +0/-5°C	245 +0/-5°C	250 +0/-5°C
Time within 5°C of actual Peak Temperature(t <sub>p</sub> )	10-30 seconds	10-30 seconds	10-30 seconds	20-40 seconds
Ramp-down Rate	6°C/second max.		6°C/second max.	
Time 25°C to Peak Temperature	6 minutes max.		8 minutes max.	

Note: All temperatures refer to topside of the package. Measured on the body surface.

## Reliability test program

Test item	Method	Description
SOLDERABILITY	MIL-STD-883D-2003	245°C , 5 SEC
HOLT	MIL-STD-883D-1005.7	1000 Hrs Bias @ 125 °C
PCT	JESD-22-B, A102	168 Hrs, 100 % RH , 121°C
TST	MIL-STD-883D-1011.9	-65°C ~ 150°C, 200 Cycles
ESD	MIL-STD-883D-3015.7	VHBM > 2KV, VMM > 200V
Latch-Up	JESD 78	10ms , I <sub>tr</sub> > 100mA

## Carrier Tape



## Reel Dimensions

Application	A	B	C	J	T1	T2	W	P	E
SOP-8	330 ± 1	62 +1.5	12.75+ 0.15	2 ± 0.5	12.4 ± 0.2	2 ± 0.2	12 ± 0.3	8 ± 0.1	1.75 ± 0.1
	F	D	D1	Po	P1	Ao	Bo	Ko	t
	5.5 ± 1	1.55 +0.1	1.55+ 0.25	4.0 ± 0.1	2.0 ± 0.1	6.4 ± 0.1	5.2 ± 0.1	2.1 ± 0.1	0.3 ± 0.013
Application	A	B	C	J	T1	T2	W	P	E
TSSOP-8	330 ± 1	62 +1.5	12.75+ 0.15	2 + 0.5	12.4 ± 0.2	2 ± 0.2	12 ± 0.3	8 ± 0.1	1.75 ± 0.1
	F	D	D1	Po	P1	Ao	Bo	Ko	t
	5.5 ± 0.1	1.5 + 0.1	1.5 + 0.1	4.0 ± 0.1	2.0 ± 0.1	7.0 ± 0.1	3.6 ± 0.3	1.6 ± 0.1	0.3 ± 0.013

(mm)

## Cover Tape Dimensions

Application	Carrier Width	Cover Tape Width	Devices Per Reel
SOP-8	12	9.3	2500
TSSOP-8	12	9.3	2500

## Customer Service

### Anpec Electronics Corp.

Head Office :

5F, No. 2 Li-Hsin Road, SBIP,

Hsin-Chu, Taiwan, R.O.C.

Tel : 886-3-5642000

Fax : 886-3-5642050

Taipei Branch :

7F, No. 137, Lane 235, Pac Chiao Rd.,

Hsin Tien City, Taipei Hsien, Taiwan, R. O. C.

Tel : 886-2-89191368

Fax : 886-2-89191369