



## STEVAL-ISA082V1

4 A peak 800 kHz fixed-frequency PWM synchronous step-down demonstration board with enable on/off based on the ST1S40IPHR

Data brief

### Features

- Input voltage  $V_{in}$  : 4 V to 18 V
- Output voltage  $V_{out}$  : 3.3 V
- Maximum output current : 4 A
- Switching frequency: 800 kHz
- Short-circuit protected
- RoHS compliant

### Description

The STEVAL-ISA082V1, based on the ST1S40IPHR, is an internally compensated 800 kHz fixed-frequency PWM synchronous step-down converter demonstration board.

The ST1S40 operates from 4.0 V to 18.0 V input, while it regulates an output voltage as low as 0.8 V and up to  $V_{IN}$  (100% duty cycle).

The ST1S40 integrates a 95 m $\Omega$  high-side switch and a 69 m $\Omega$  synchronous rectifier allowing very high efficiency with very low output voltage.

The peak current mode control with internal compensation delivers a very compact solution with a minimum component count.

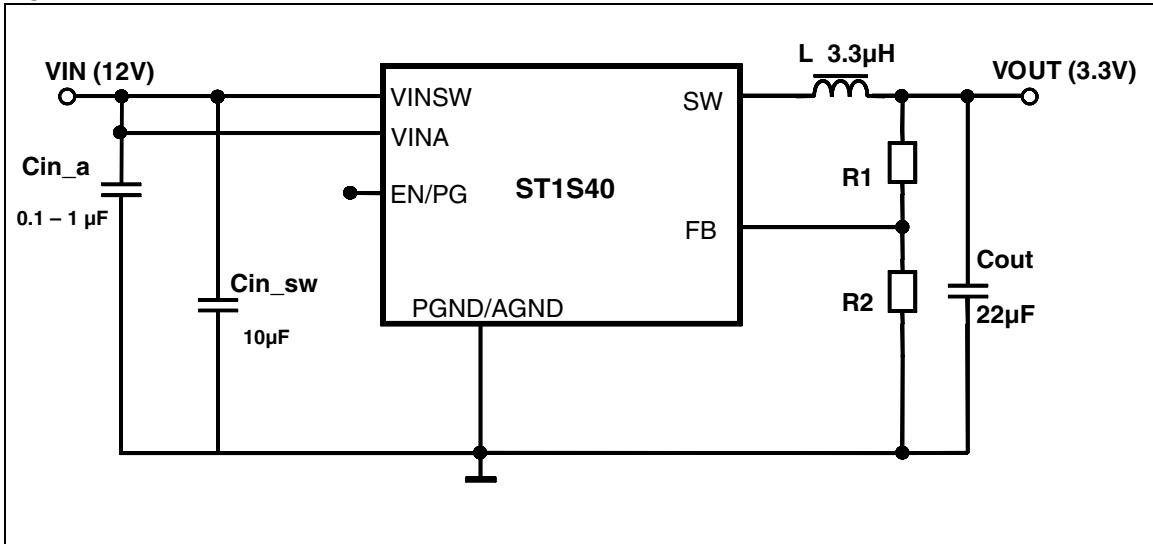
The ST1S40 is protected through cycle-by-cycle current limiting in case of overload and is also protected by a current foldback function with frequency reduction in case of short-circuit.

The device is available with an enable on/off function.



# 1 Circuit schematic

Figure 1. Circuit schematic



## 2 Revision history

**Table 1. Document revision history**

Date	Revision	Changes
27-Sep-2011	1	Initial release.

**Please Read Carefully:**

Information in this document is provided solely in connection with ST products. STMicroelectronics NV and its subsidiaries ("ST") reserve the right to make changes, corrections, modifications or improvements, to this document, and the products and services described herein at any time, without notice.

All ST products are sold pursuant to ST's terms and conditions of sale.

Purchasers are solely responsible for the choice, selection and use of the ST products and services described herein, and ST assumes no liability whatsoever relating to the choice, selection or use of the ST products and services described herein.

No license, express or implied, by estoppel or otherwise, to any intellectual property rights is granted under this document. If any part of this document refers to any third party products or services it shall not be deemed a license grant by ST for the use of such third party products or services, or any intellectual property contained therein or considered as a warranty covering the use in any manner whatsoever of such third party products or services or any intellectual property contained therein.

**UNLESS OTHERWISE SET FORTH IN ST'S TERMS AND CONDITIONS OF SALE ST DISCLAIMS ANY EXPRESS OR IMPLIED WARRANTY WITH RESPECT TO THE USE AND/OR SALE OF ST PRODUCTS INCLUDING WITHOUT LIMITATION IMPLIED WARRANTIES OF MERCHANTABILITY, FITNESS FOR A PARTICULAR PURPOSE (AND THEIR EQUIVALENTS UNDER THE LAWS OF ANY JURISDICTION), OR INFRINGEMENT OF ANY PATENT, COPYRIGHT OR OTHER INTELLECTUAL PROPERTY RIGHT.**

**UNLESS EXPRESSLY APPROVED IN WRITING BY TWO AUTHORIZED ST REPRESENTATIVES, ST PRODUCTS ARE NOT RECOMMENDED, AUTHORIZED OR WARRANTED FOR USE IN MILITARY, AIR CRAFT, SPACE, LIFE SAVING, OR LIFE SUSTAINING APPLICATIONS, NOR IN PRODUCTS OR SYSTEMS WHERE FAILURE OR MALFUNCTION MAY RESULT IN PERSONAL INJURY, DEATH, OR SEVERE PROPERTY OR ENVIRONMENTAL DAMAGE. ST PRODUCTS WHICH ARE NOT SPECIFIED AS "AUTOMOTIVE GRADE" MAY ONLY BE USED IN AUTOMOTIVE APPLICATIONS AT USER'S OWN RISK.**

Resale of ST products with provisions different from the statements and/or technical features set forth in this document shall immediately void any warranty granted by ST for the ST product or service described herein and shall not create or extend in any manner whatsoever, any liability of ST.

ST and the ST logo are trademarks or registered trademarks of ST in various countries.

Information in this document supersedes and replaces all information previously supplied.

The ST logo is a registered trademark of STMicroelectronics. All other names are the property of their respective owners.

© 2011 STMicroelectronics - All rights reserved

STMicroelectronics group of companies

Australia - Belgium - Brazil - Canada - China - Czech Republic - Finland - France - Germany - Hong Kong - India - Israel - Italy - Japan - Malaysia - Malta - Morocco - Philippines - Singapore - Spain - Sweden - Switzerland - United Kingdom - United States of America

[www.st.com](http://www.st.com)