



60 W high power factor flyback LED driver based on the L6562AT and TSM101

Data brief

Features

- Mains voltage range: $V_{ACmin} = 185 V_{ac}$,
 $V_{ACmax} = 265 V_{ac}$
- Minimum mains frequency: $f_L = 47 \text{ Hz}$
- DC output voltage: $V_{out} = 130 \text{ V}$
- Maximum output current: $I_{out} = 0.462 \text{ A}$
- Minimum switching frequency: $f_{SWmin} = 57 \text{ Hz}$
- Reflected voltage: $V_R = 195 \text{ V}$
- Leakage inductance spike: $V_{spike} = 100 \text{ V}$
- Expected efficiency: 92 %
- RoHS compliant



Description

The STEVAL-ILL042V1 demonstration board is a LED power supply in high PF flyback configuration able to drive a 60 W LED array. The board is based on the L6562AT and the TSM101 controller.

This configuration uses an isolated feedback with an optocoupler and a secondary side reference/error amplifier, the TSM101, for voltage and current regulation.

The TSM101 includes two op-amps. One op-amp is used for constant voltage control and the other one for constant current control.

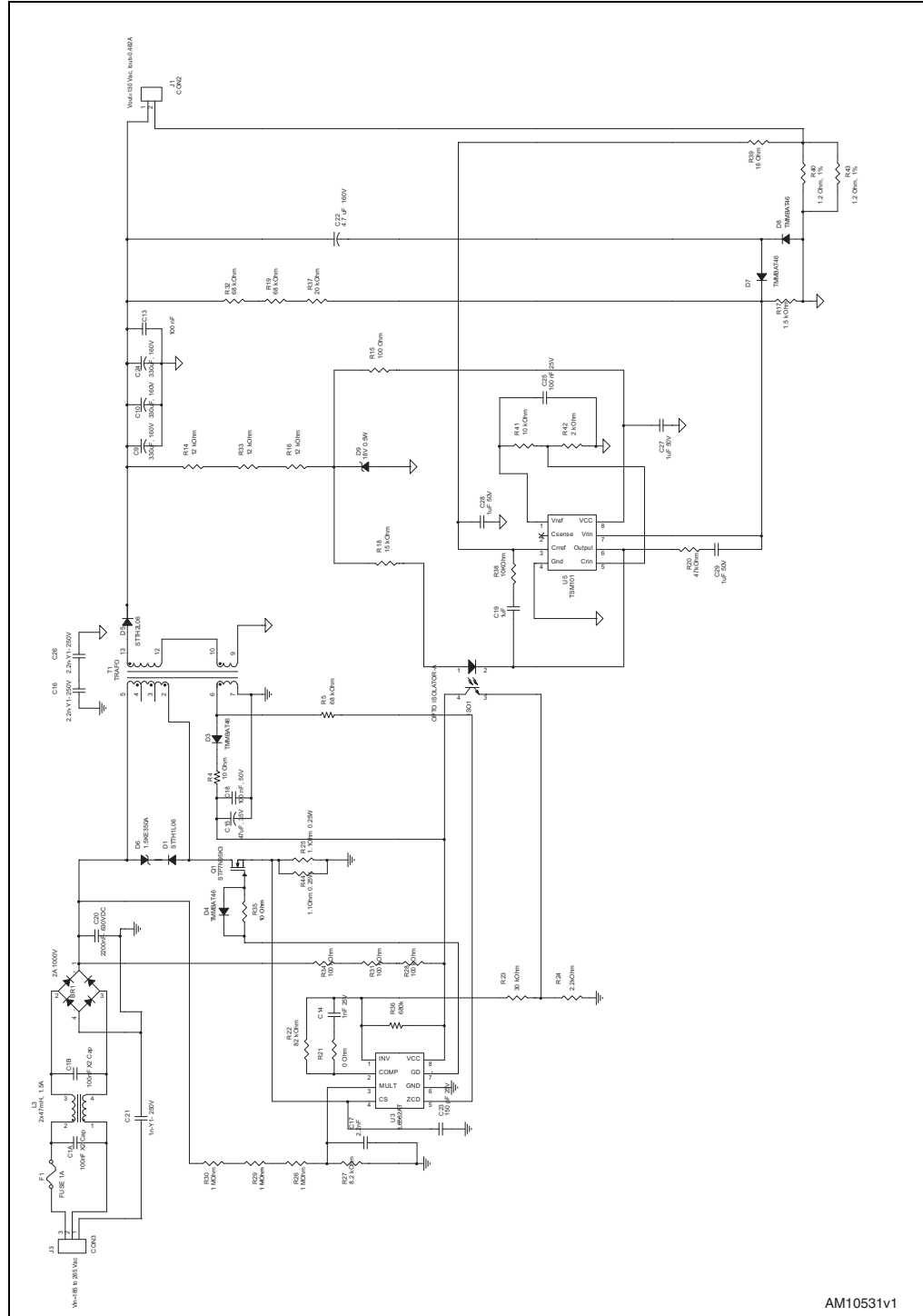
The L6562AT is a PFC controller operating in transition mode. The highly linear multiplier includes a special circuit which is able to reduce AC input current distortion, allowing wide-range mains operation with an extremely low THD, even over a large load range.

Efficiency is high at heavy load, more than 90% is achievable.

This system, designed using the L6562AT and the TSM101 controller, offers several advantages in terms of output current and voltage stability.

1 Schematic

Figure 1. Electrical schematic



AM10531v1

2 Revision history

Table 1. Document revision history

Date	Revision	Changes
28-Sep-2011	1	Initial release.
20-Mar-2012	2	Modified: title of the document

Please Read Carefully:

Information in this document is provided solely in connection with ST products. STMicroelectronics NV and its subsidiaries ("ST") reserve the right to make changes, corrections, modifications or improvements, to this document, and the products and services described herein at any time, without notice.

All ST products are sold pursuant to ST's terms and conditions of sale.

Purchasers are solely responsible for the choice, selection and use of the ST products and services described herein, and ST assumes no liability whatsoever relating to the choice, selection or use of the ST products and services described herein.

No license, express or implied, by estoppel or otherwise, to any intellectual property rights is granted under this document. If any part of this document refers to any third party products or services it shall not be deemed a license grant by ST for the use of such third party products or services, or any intellectual property contained therein or considered as a warranty covering the use in any manner whatsoever of such third party products or services or any intellectual property contained therein.

UNLESS OTHERWISE SET FORTH IN ST'S TERMS AND CONDITIONS OF SALE ST DISCLAIMS ANY EXPRESS OR IMPLIED WARRANTY WITH RESPECT TO THE USE AND/OR SALE OF ST PRODUCTS INCLUDING WITHOUT LIMITATION IMPLIED WARRANTIES OF MERCHANTABILITY, FITNESS FOR A PARTICULAR PURPOSE (AND THEIR EQUIVALENTS UNDER THE LAWS OF ANY JURISDICTION), OR INFRINGEMENT OF ANY PATENT, COPYRIGHT OR OTHER INTELLECTUAL PROPERTY RIGHT.

UNLESS EXPRESSLY APPROVED IN WRITING BY TWO AUTHORIZED ST REPRESENTATIVES, ST PRODUCTS ARE NOT RECOMMENDED, AUTHORIZED OR WARRANTED FOR USE IN MILITARY, AIR CRAFT, SPACE, LIFE SAVING, OR LIFE SUSTAINING APPLICATIONS, NOR IN PRODUCTS OR SYSTEMS WHERE FAILURE OR MALFUNCTION MAY RESULT IN PERSONAL INJURY, DEATH, OR SEVERE PROPERTY OR ENVIRONMENTAL DAMAGE. ST PRODUCTS WHICH ARE NOT SPECIFIED AS "AUTOMOTIVE GRADE" MAY ONLY BE USED IN AUTOMOTIVE APPLICATIONS AT USER'S OWN RISK.

Resale of ST products with provisions different from the statements and/or technical features set forth in this document shall immediately void any warranty granted by ST for the ST product or service described herein and shall not create or extend in any manner whatsoever, any liability of ST.

ST and the ST logo are trademarks or registered trademarks of ST in various countries.

Information in this document supersedes and replaces all information previously supplied.

The ST logo is a registered trademark of STMicroelectronics. All other names are the property of their respective owners.

© 2012 STMicroelectronics - All rights reserved

STMicroelectronics group of companies

Australia - Belgium - Brazil - Canada - China - Czech Republic - Finland - France - Germany - Hong Kong - India - Israel - Italy - Japan - Malaysia - Malta - Morocco - Philippines - Singapore - Spain - Sweden - Switzerland - United Kingdom - United States of America

www.st.com