



# STEVAL-IEM003V1

## Low voltage 3-phase power stage for electric traction with MC connector

Data brief

### Features

- BUS voltage up to 48 V and up to 3 kW
- 3-phase full bridge inverter topology
- Efficient power dissipation with power MOSFETs mounted on a dedicated IMS layer
- Motor current feedback via ICS
- Protection features:
  - bus overcurrent detection
  - bus voltage monitoring
  - power stage temperature sensing
- RoHS compliant

### Description

The STEVAL-IEM003V1 demonstration board is designed to drive a low voltage/high current 3-phase brushless synchronous or asynchronous motor up to 3 kW. Typical uses for the system include battery-powered traction system applications or high-power tools.

The demonstration board is composed of two stacked boards. The top layer is a power board where the power devices are mounted on a dedicated IMS layer, and the bottom board includes the gate driving, current sensing and power supply sections.

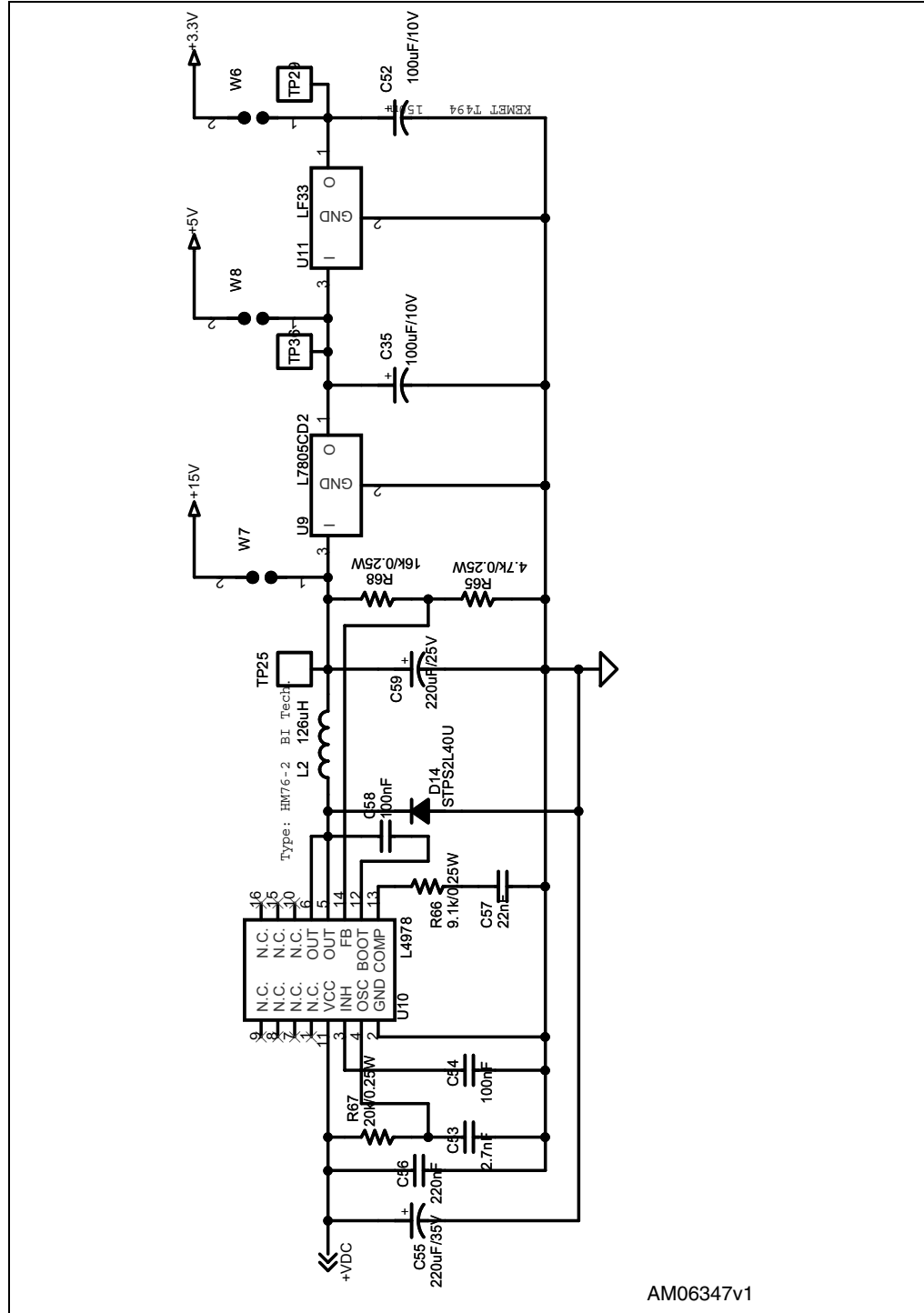
The STEVAL-IEM003V1 provides a compact solution and efficient power dissipation thanks to the power MOSFET used.

Thanks to the on-board MC connector, the STEVAL-IEM003V1 can be easily interfaced with any ST MCU control board equipped with the same type of MC connector.



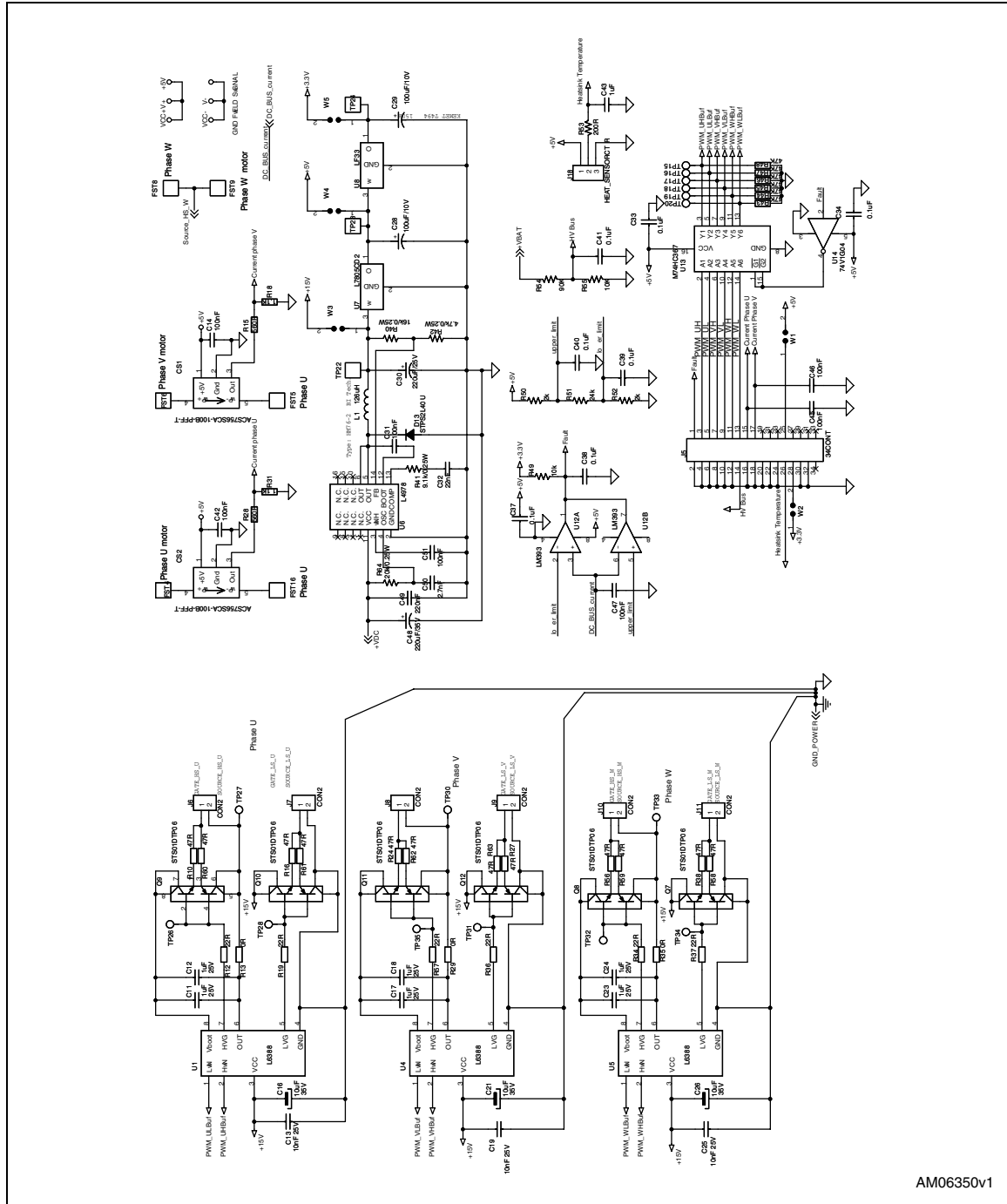
# 1 Schematic diagrams

Figure 1. Power supply section circuit schematic



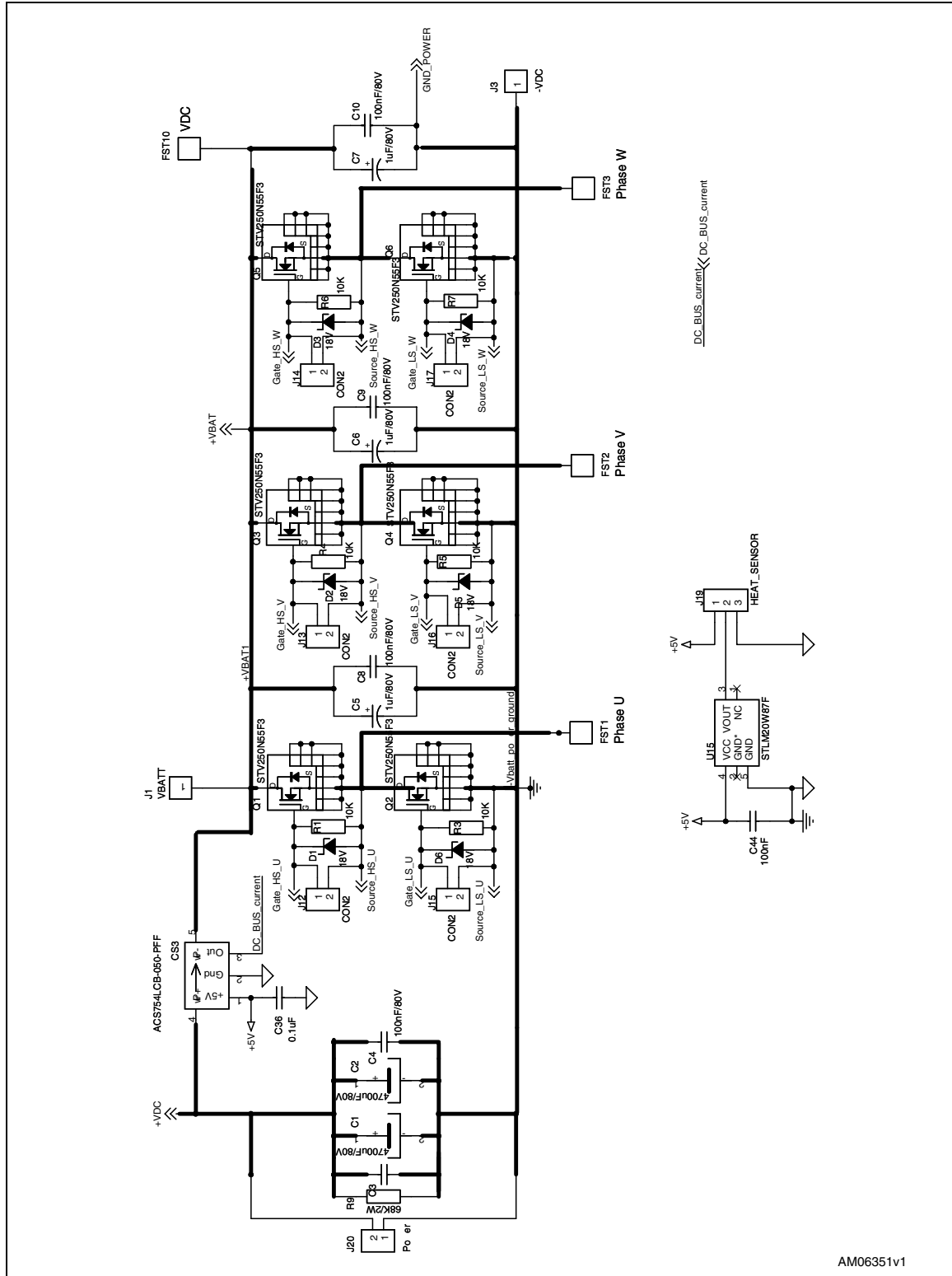
AM06347v1

Figure 2. Gate driving, sensing and power supply section schematics



AM06350v1

Figure 3. Power section schematic



AM06351v1

## 2 Revision history

**Table 1. Document revision history**

Date	Revision	Changes
08-Mar-2010	1	Initial release.

**Please Read Carefully:**

Information in this document is provided solely in connection with ST products. STMicroelectronics NV and its subsidiaries ("ST") reserve the right to make changes, corrections, modifications or improvements, to this document, and the products and services described herein at any time, without notice.

All ST products are sold pursuant to ST's terms and conditions of sale.

Purchasers are solely responsible for the choice, selection and use of the ST products and services described herein, and ST assumes no liability whatsoever relating to the choice, selection or use of the ST products and services described herein.

No license, express or implied, by estoppel or otherwise, to any intellectual property rights is granted under this document. If any part of this document refers to any third party products or services it shall not be deemed a license grant by ST for the use of such third party products or services, or any intellectual property contained therein or considered as a warranty covering the use in any manner whatsoever of such third party products or services or any intellectual property contained therein.

**UNLESS OTHERWISE SET FORTH IN ST'S TERMS AND CONDITIONS OF SALE ST DISCLAIMS ANY EXPRESS OR IMPLIED WARRANTY WITH RESPECT TO THE USE AND/OR SALE OF ST PRODUCTS INCLUDING WITHOUT LIMITATION IMPLIED WARRANTIES OF MERCHANTABILITY, FITNESS FOR A PARTICULAR PURPOSE (AND THEIR EQUIVALENTS UNDER THE LAWS OF ANY JURISDICTION), OR INFRINGEMENT OF ANY PATENT, COPYRIGHT OR OTHER INTELLECTUAL PROPERTY RIGHT.**

**UNLESS EXPRESSLY APPROVED IN WRITING BY AN AUTHORIZED ST REPRESENTATIVE, ST PRODUCTS ARE NOT RECOMMENDED, AUTHORIZED OR WARRANTED FOR USE IN MILITARY, AIR CRAFT, SPACE, LIFE SAVING, OR LIFE SUSTAINING APPLICATIONS, NOR IN PRODUCTS OR SYSTEMS WHERE FAILURE OR MALFUNCTION MAY RESULT IN PERSONAL INJURY, DEATH, OR SEVERE PROPERTY OR ENVIRONMENTAL DAMAGE. ST PRODUCTS WHICH ARE NOT SPECIFIED AS "AUTOMOTIVE GRADE" MAY ONLY BE USED IN AUTOMOTIVE APPLICATIONS AT USER'S OWN RISK.**

Resale of ST products with provisions different from the statements and/or technical features set forth in this document shall immediately void any warranty granted by ST for the ST product or service described herein and shall not create or extend in any manner whatsoever, any liability of ST.

ST and the ST logo are trademarks or registered trademarks of ST in various countries.

Information in this document supersedes and replaces all information previously supplied.

The ST logo is a registered trademark of STMicroelectronics. All other names are the property of their respective owners.

© 2010 STMicroelectronics - All rights reserved

STMicroelectronics group of companies

Australia - Belgium - Brazil - Canada - China - Czech Republic - Finland - France - Germany - Hong Kong - India - Israel - Italy - Japan - Malaysia - Malta - Morocco - Philippines - Singapore - Spain - Sweden - Switzerland - United Kingdom - United States of America

[www.st.com](http://www.st.com)