

Specifications

Insulation Resistance:	500MΩ min. at 500V DC
Withstanding Voltage:	250V ACrms for 1 minute
Contact Resistance:	100mΩ max. at 10mA / 20mV max.
Current Rating:	0.5A
Voltage Rating:	5.0V AC rms
Operating Temp. Range:	-55°C to +85°C
Mating Cycles:	5,000 insertions

Materials and Finish

Insulator:	LCP, glass filled (UL94V-0)
Contact Plating:	Mating Face - Gold over Nickel Solder Tails - Gold over Nickel

Features

- Conforms to GSM11.11
- Reversed Type
- Tape and Reel Packaging (700 pcs./reel)
- Tray type without switch
- 2 point contact, protection against electrical interruption

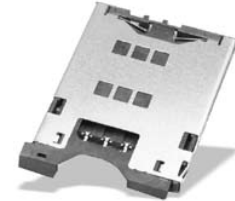
Part Number (Details)

FMS006 - 3000 - 1

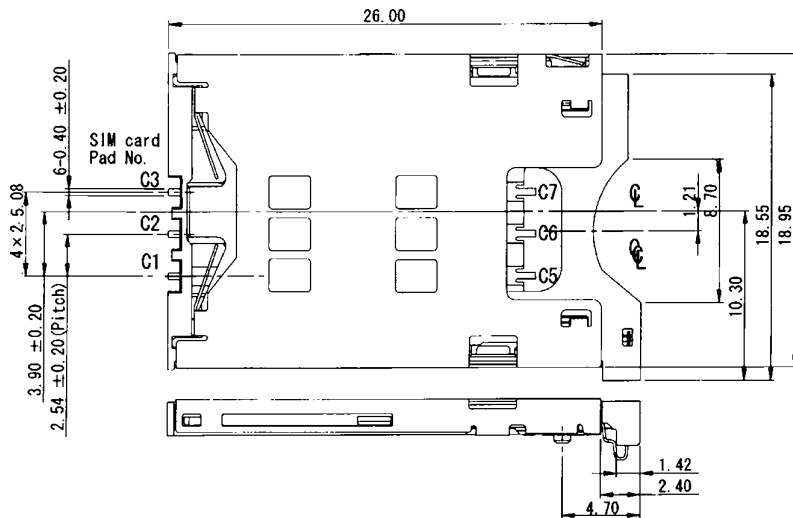
Series No.

Design No.

1 = without Switch

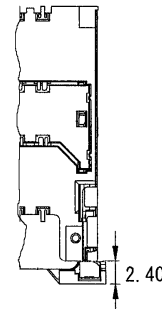


Outline Connector Dimensions (top view)

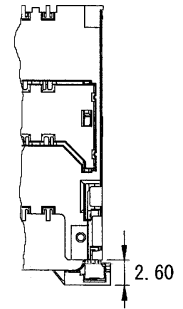


Card Insertion

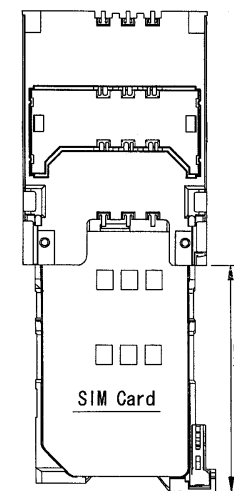
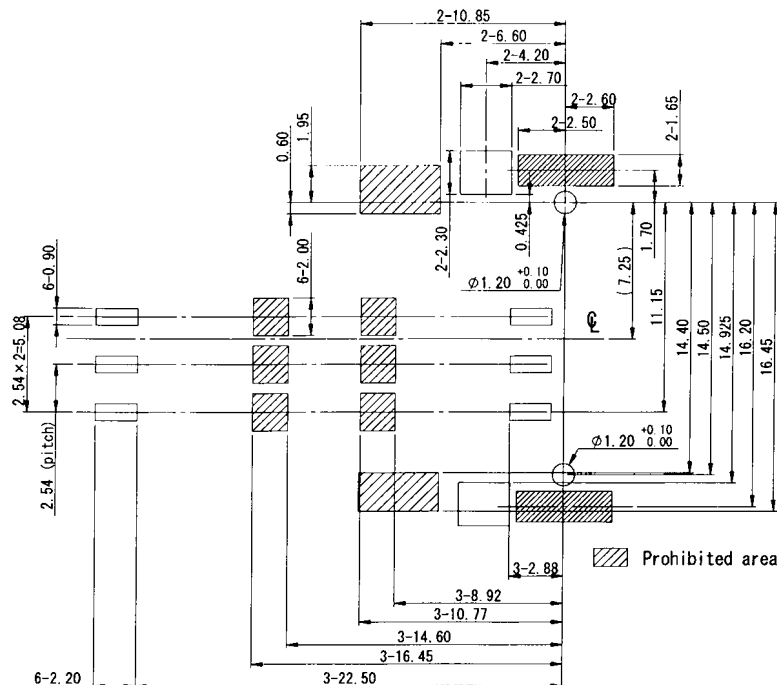
Tray pushed position



Tray locked position



Recommended PCB Layout (mounting side)



Tray eject position

Series FMS SIM Card Reader (Removable Tray without Switch)

Card Connectors

Specifications

Insulation Resistance:	500M Ω min. at 500V DC
Withstanding Voltage:	250V ACrms for 1 minute
Contact Resistance:	100m Ω max. at 10mA / 20mV max.
Current Rating:	0.5A
Voltage Rating:	5.0V AC rms
Operating Temp. Range:	-55°C to +85°C
Mating Cycles:	5,000 insertions



Part Number (Details)

FMS006 - 3200 - 1

Series No.

Design No.

Part Number Tray
FMA006-3200 - 1

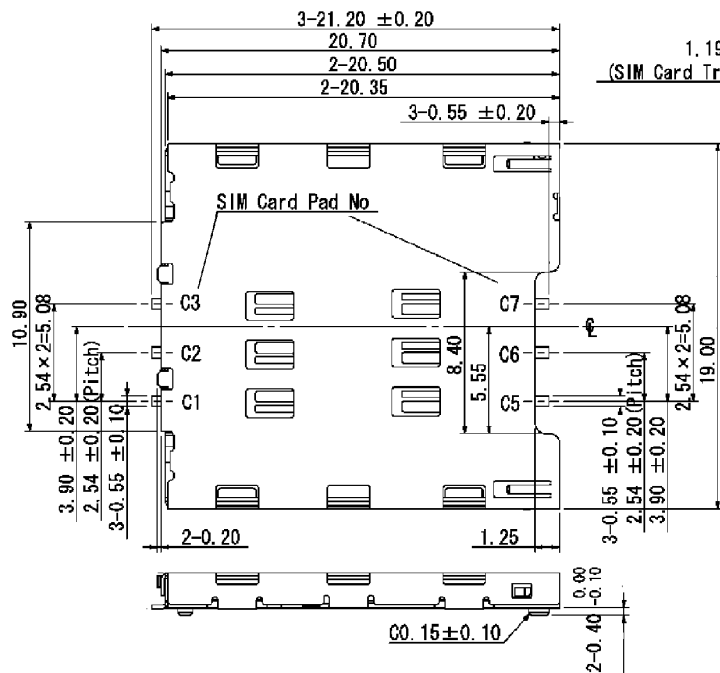
Materials and Finish

Insulator:	PA (UL94V-0)
Contact Plating:	Gold over Nickel
Shell:	SUS, Plating Gold over Nickel
Tray:	POM (UL94HB)

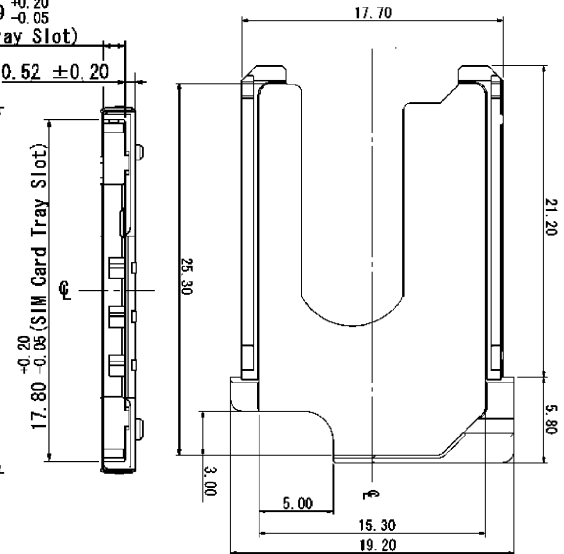
Features

- Removable Tray
- 2 point contact, protection against electrical interruption
- Packaging Card Reader: Tape and Reel (1,000 pcs./reel)
- Packaging for Trays: Tray

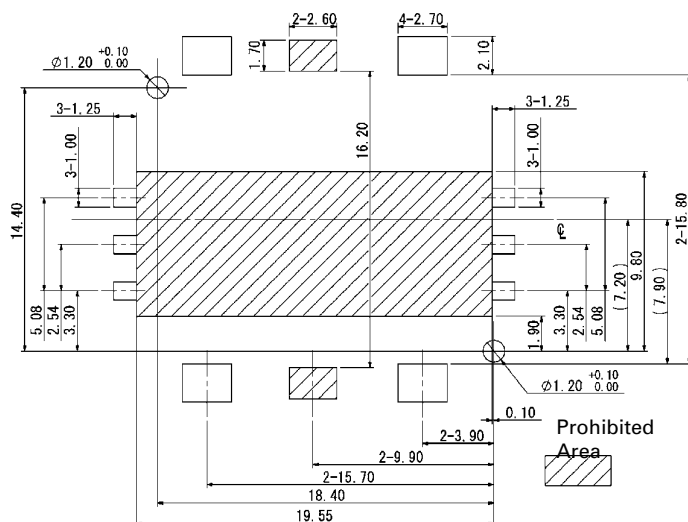
Outline Connector Dimensions (top view)



Outline Tray Dimension



Recommended PCB Layout (mounting side)



Card Insertion

