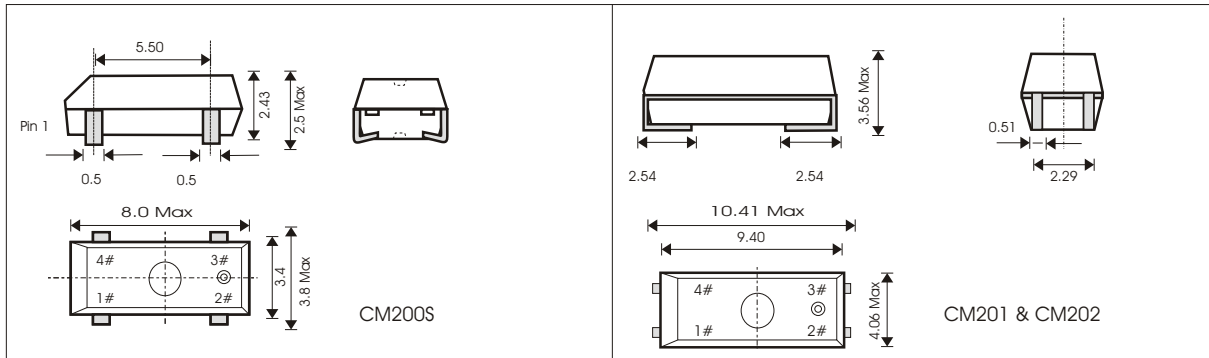


Specify AEL

CITIZEN Plastic Moulded Watch Crystals
CM200 & CM201/CM202



Surface Mounted Quartz Crystal Resonators

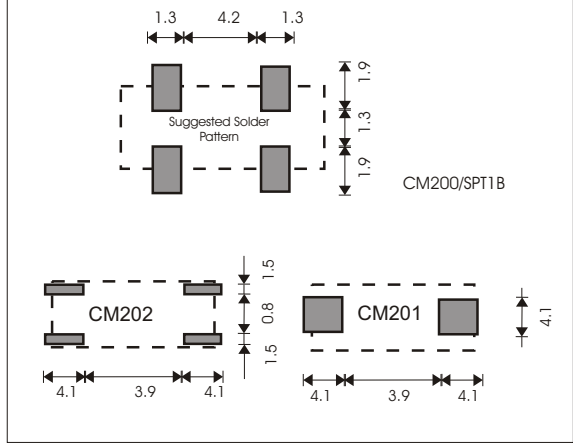


FEATURES	APPLICATIONS
<ul style="list-style-type: none"> ■ High Density Mounting ■ Suitable for Reflow Soldering ■ Excellent Reliability ■ Drop-In Replacement for Seiko Epson 	<ul style="list-style-type: none"> ■ Microprocessor Systems ■ Datacommunications ■ Consumer Electronics ■ Automotive Electronics

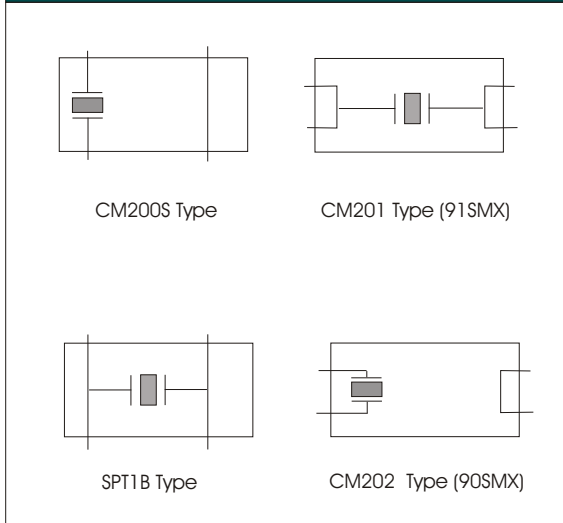
STANDARD SPECIFICATION

Frequency Range: 32.768 kHz
 Adjustment Tolerance at 25°C: ±20PPM Max.
 Frequency Stability: -0.046PPM/°C². Max
 Operating Temperature Range: -10°C to +60°C
 Load Capacity: 12.5pF
 E.S.R: 50k Max
 Drive level: 1.0 MicroWatt
 Ageing: ±5PPM 1st Year Max.

Suggested Solder Pad Layout



AVAILABLE OPTIONS



Solder Conditions

Hand Solder	280°C ~ 350°C 3 Secs
Solder Dip	240°C 5 Secs Max
Reflow Soldering	140°C (+/-10°C) 100 Secs
PreHeat	Max
Reflow	Over 200°C 25 Secs Max 230°C +/-5°C 5 Secs Max



www.aelcrystals.co.uk quartz based frequency control components

Order Hotline +44 1293 524245

www.aelcrystals.co.uk
sales@aelcrystals.co.uk