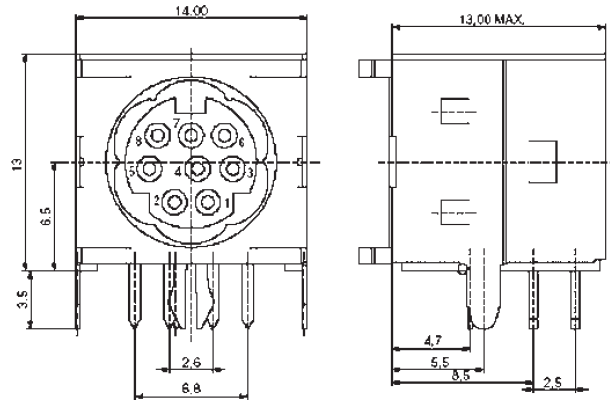


Specifications

Insulation Resistance: 50MΩ min
 Withstanding Voltage: 250V AC for 1 minute
 Contact Resistance: 30mΩ max.
 Rating:
 1A max. at 10V AC
 2A max. at 12V DC
 Operating Temp Range: -55°C to +85°C
 Mating Cycles: 1000 min. at 10-20 times per minute (no electrical load)
 Soldering Temp.: 230°C / 3 sec.

Materials and Finish

Housing: Thermoplastic
 Contact: Phosphor Bronze
 Plating: Selective Gold over Nickel



Features

- ⇨ 90° Pin Through Hole Receptacle, with shielding and 4 grounding springs
- ⇨ Selective gold plating

Contact Arrangements and PCB Layouts

<p>3 Pins Part No.: MDIN03SSV-G</p> <p>Front View Bottom View</p>	<p>6 Pins Part No.: MDIN06SSV-G</p> <p>Front View Bottom View</p>
<p>4 Pins Part No.: MDIN04SSV-G</p> <p>Front View Bottom View</p>	<p>7 Pins Part No.: MDIN07SSV-G</p> <p>Front View Bottom View</p>
<p>5 Pins Part No.: MDIN05SSV-G</p> <p>Front View Bottom View</p>	<p>8 Pins Part No.: MDIN08SSV-G</p> <p>Front View Bottom View</p>