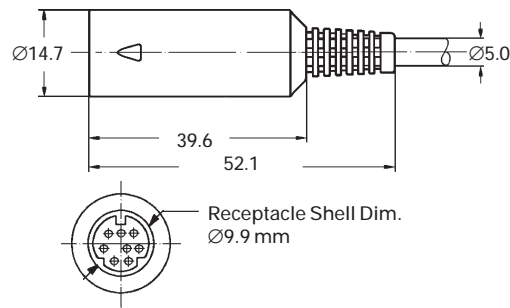


## Specifications

Insulation Resistance: 50MΩ min. at 250V DC  
 Withstanding Voltage: 250V AC for 1 minute  
 Contact Resistance: 30mΩ max.  
 Rating: 100V AC / 1A max or  
 12V DC / 2A max.  
 Operating Temp. Range: -55°C to +85°C  
 Mating Cycles: 1000 min. at 10-20 times  
 per minute (no electrical load)

## Materials and Finish

Housing: PVC  
 Shell: Copper, Nickel Plated  
 Insulator: PC, Nylon  
 Contact: Copper, Silver plated



## Features

⇨ 180° Assembled Receptacle Connector with Solder Cups

## Contact Arrangements

