

MiniDIN Series (SP / SSP)

90° PTH Power Socket (with and without Shield)

Specifications

| | |
|------------------------|--|
| Insulation Resistance: | 50MΩ min. at 250V DC |
| Withstanding Voltage: | 250V AC for 1 minute |
| Contact Resistance: | 30mΩ max. |
| Current Rating: | 3 Pin Socket: Pins #1 and #2 - 7.5A max. at 20V DC Pin #3 - 1A max. at 20V DC |
| | 4 Pin Socket: All Pins - 5A max. at 20V DC |
| Operating Temp. Range: | -55°C to +85°C |
| Mating Cycles: | 1000 min. at 10 - 20 times per minute (no electrical load) |
| Soldering Temp.: | 230°C / 3 sec. |

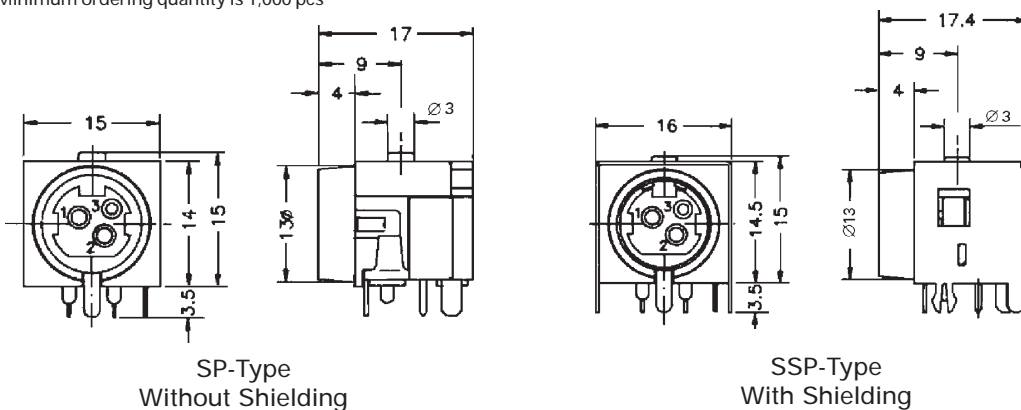
Materials and Finish

Housing: Thermoplastic
Contact: Phosphor Bronze



Features

- ◇ 90° Pin Through Hole Receptacle (shielded and unshielded)
- ◇ Minimum ordering quantity is 1,000 pcs



Contact Arrangement and PCB Layouts

