

Series MiniDIN (SS) 90° PTH Socket (with Shield)

I/O
Connectors

Specifications

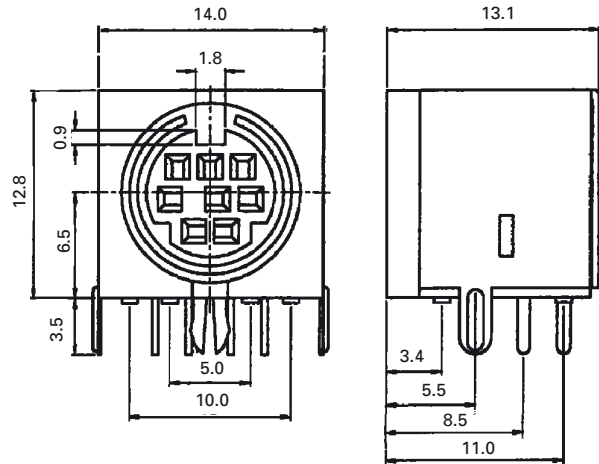
Insulation Resistance: 50MΩ min. at 250V DC
 Withstanding Voltage: 250V AC for 1 minute
 Contact Resistance: 30mΩ max.
 Rating : 1A max. at 100V AC
 2A max. at 12V DC
 Operating Temp. Range: -55°C to +85°C
 Mating Cycles: 1,000 min. at 10-20 times
 per minute (no electrical load)
 Soldering Temp.: 260°C / 10 sec.

Materials and Finish

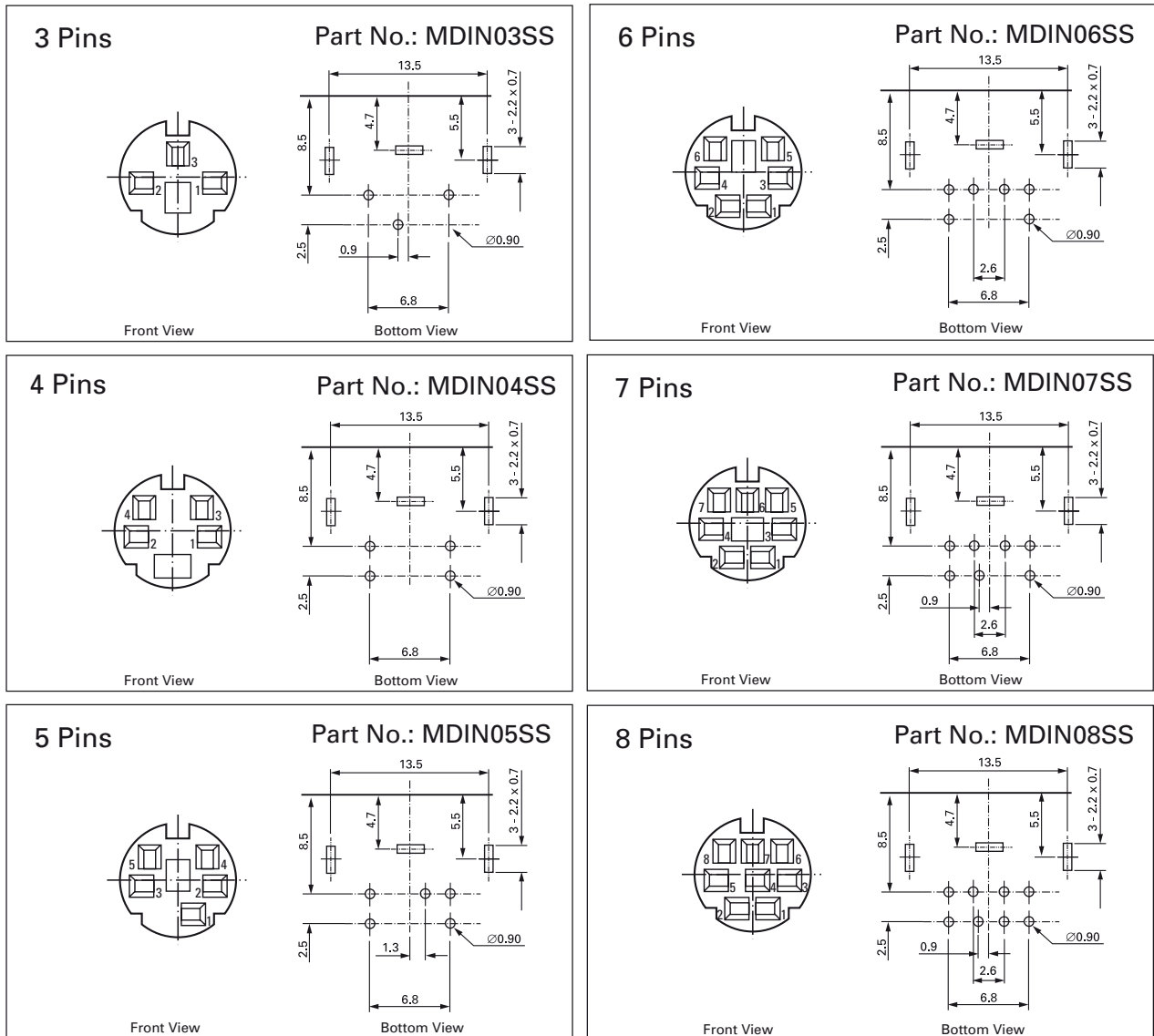
Housing: Thermoplastic
 Contact: Phosphor Bronze

Features

- 90° Pin Through Hole Receptacle (shielded)
- Minimum ordering quantity is 1,000 pcs



Contact Arrangements and PCB Layouts



MiniDIN