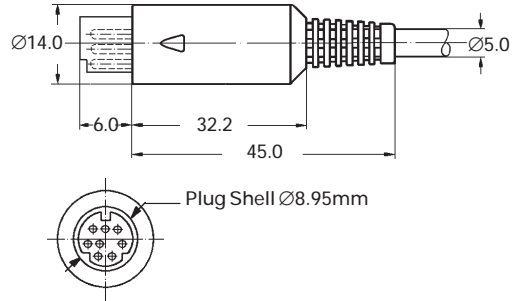


Specifications

Insulation Resistance: 50MΩ min. at 500V DC
 Withstanding Voltage: 500V AC for 1 minute
 Contact Resistance: 30mΩ max.
 Rating: 2A max. at 12V DC
 Operating Temp. Range: -55°C to +85°C
 Mating Cycles: 1000 min. at 10-20 times per minute (no electrical load)

Materials and Finish

Housing: PE
 Shield: Brass, Nickel Plated
 Insulator: Nylon 66
 Contact: Brass, Silver plated



Features

- ↳ 180° Assembled Plug Connector with Solder Cups
- ↳ Strain relief is included in the assembly parts

Contact Arrangements

<p>3 Pins Part No.: MDIN03P/POT</p> <p>Front View</p>	<p>6 Pins Part No.: MDIN06P/POT</p> <p>Front View</p>
<p>4 Pins Part No.: MDIN04P/POT</p> <p>Front View</p>	<p>7 Pins Part No.: MDIN07P/POT</p> <p>Front View</p>
<p>5 Pins Part No.: MDIN05P/POT</p> <p>Front View</p>	<p>8 Pins Part No.: MDIN08P/POT</p> <p>Front View</p>