

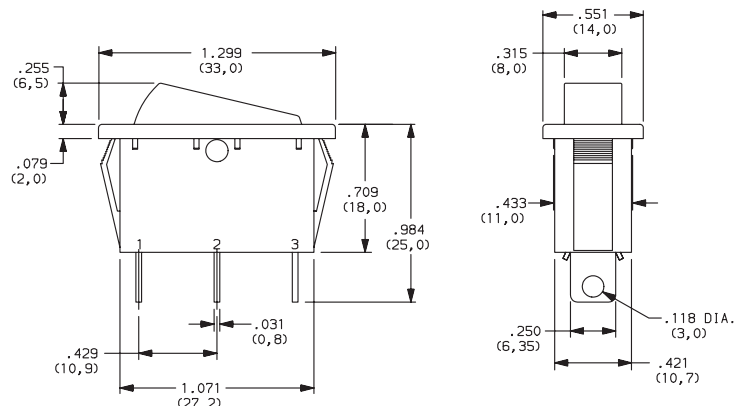


# C&K CM Series Single Pole Power Rocker Switches

## SWITCH FUNCTION

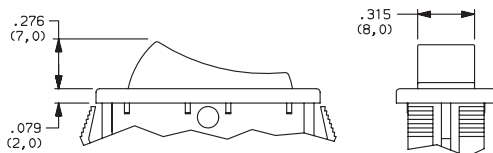
NO. POLES	MODEL NO.	SWITCH FUNCTION			CONNECTED TERMINALS			SCHEMATIC
		C&K marking on opposite side			C&K marking on opposite side			
SP	<b>CM101</b>	ON	NONE	ON	2-3	N/A	2-1	
	<b>CM102</b>	ON	NONE	OFF				 OR  For Illuminated Version
	<b>CM103</b>	ON	OFF	ON				
	<b>CM107</b>	ON	OFF	MOM.				
	<b>CM12 *</b>	ON	NONE	OFF				

\* CM12 - for switches with both marking and illumination



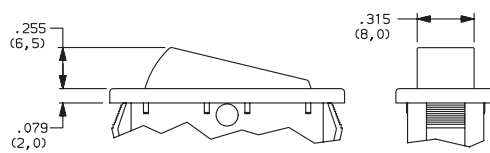
## ACTUATOR

- J1** ROCKER
- J3** ILLUMINATED ROCKER



NOTE: J3 actuator available with CM102 switch function only.

- J6** ROCKER
- J8** ILLUMINATED ROCKER



NOTE: J8 actuator available with CM102 switch function only.

# C&K CM Series Single Pole Power Rocker Switches

## ACTUATOR COLOR

OPTION CODE	ACTUATOR COLOR
<b>2</b>	(STD.) BLACK
<b>1</b>	WHITE
<b>3</b>	RED
<b>R</b>	RED, ILLUMINATED
<b>A</b>	AMBER, ILLUMINATED
<b>G</b>	GREEN, ILLUMINATED

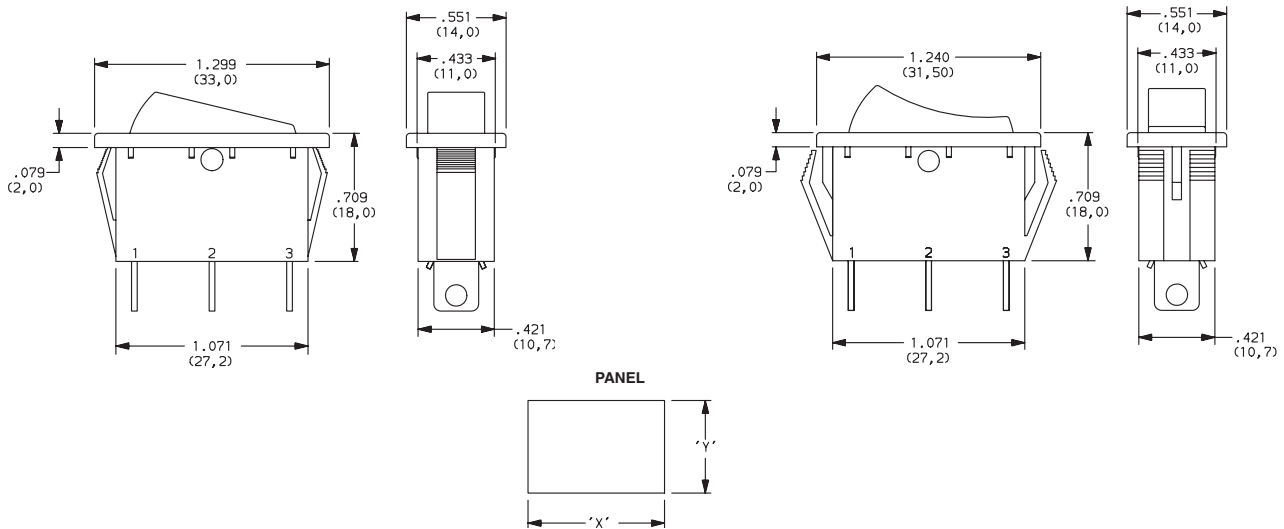
## MOUNTING STYLE/COLOR

**S2** (STD.) SNAP-IN, BLACK

**S1** SNAP-IN, WHITE

**S4** (STD.) SNAP-IN, BLACK (SHORT FRAME)

**S3** SNAP-IN, WHITE

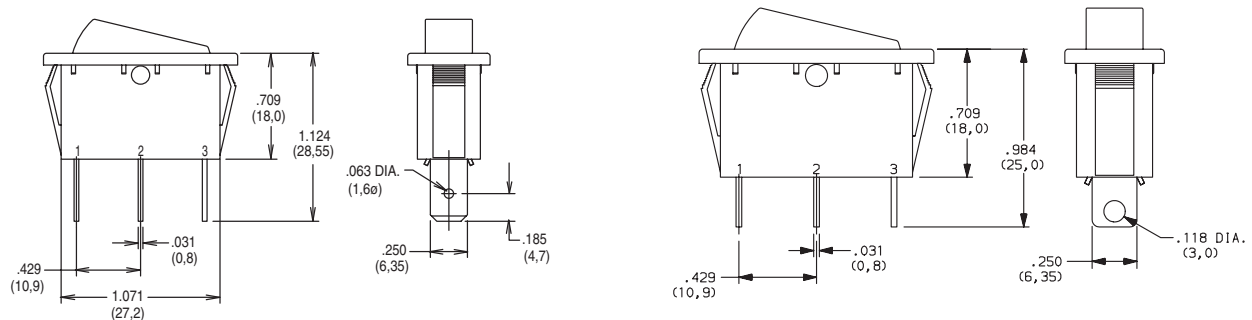


PANEL THICKNESS	"X"	"Y"
0.030-0.049 (0,75-1,25)	1.189-.004 (30,2-0,1)	0.441+.004 (11,2+0,1)
0.049-0.079 (1,25-2,0)	1.197-.004 (30,4-0,1)	0.441+.004 (11,2+0,1)
0.079-0.118 (2,0-3,0)	1.212-.004 (30,8-0,1)	0.441+.004 (11,2+0,1)

## TERMINATION

**05** (STD.) .250" QUICK CONNECT

**07** SOLDER LUG



**NOTE:** Available with CM101 & CM102 switch functions only.

# C&K CM Series Single Pole Power Rocker Switches

## ACTUATOR MARKING

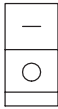
**NONE** (STD.) NO MARKING



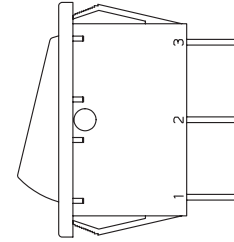
**D** ON-OFF



**H** 01



**P** 0-



**NOTE:** Orientation of actuator marking and terminals.

## CONTACT MATERIAL

OPTION CODE	CONTACT AND TERMINAL MATERIAL	RATINGS	
<b>QA</b> (STD.)	SILVER	POWER	16 AMPS @ 125 VAC; 1/8 HP 10 AMPS @ 250 VAC, 1/3 HP (UL/CSA).

## LAMP RATING

**(NONE)** NO LAMP

**7** 125 VAC 33kΩ NEON

**8** 250 VAC 150kΩ NEON

**NOTE:** Lamp rating for J3 & J8 actuator option.