

# 1.25mm (0.049") PITCH CONNECTOR

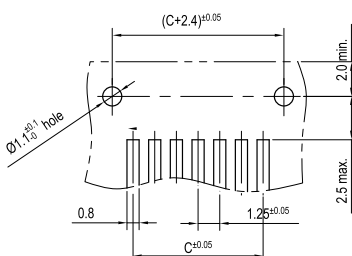
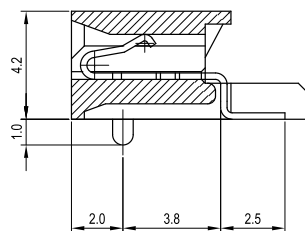
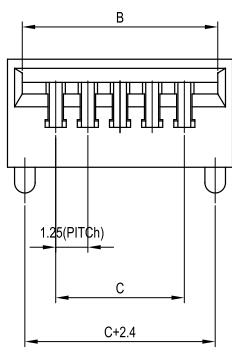
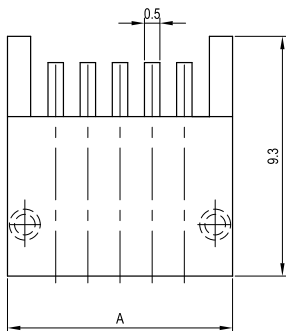
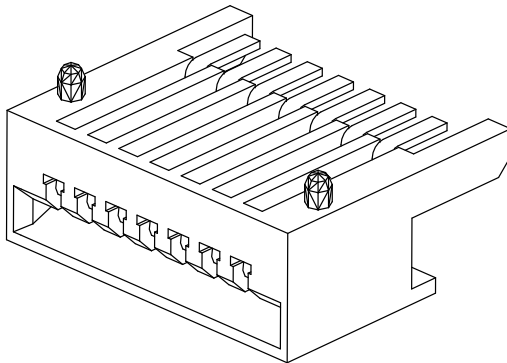


**FPC/FFC Connector  
Housing**

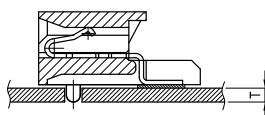
**12508BR Series**

**SMT, NON-ZIF (Bottom Contact Type)**

**Right Angle**



PCB LAYOUT



PCB ASS'Y

## Material

I/NO	DESCRIPTION	TITLE	MATERIAL
1	HOUSING	12508BR	PPS, UL 94V Grade
2	TERMINAL	12508TB	Phosphor Bronze & Tin plated

## Available Pin

PARTS NO.	A	B	C
12508BR-04A00	7.50	6.35	3.75
12508BR-05A00	8.75	7.60	5.00
12508BR-06A00	10.00	8.85	6.25
12508BR-07A00	11.25	10.10	7.50
12508BR-08A00	12.50	11.35	8.75
12508BR-09A00	13.75	12.60	10.00
12508BR-10A00	15.00	13.85	11.25
12508BR-11A00	16.25	15.10	12.50
12508BR-12A00	17.50	16.35	13.75
12508BR-13A00	18.75	17.60	15.00
12508BR-14A00	20.00	18.85	16.25
12508BR-15A00	21.25	20.10	17.50
12508BR-16A00	22.50	21.35	18.75
12508BR-17A00	23.75	22.60	20.00
12508BR-18A00	25.00	23.85	21.25
12508BR-19A00	26.25	25.10	22.50
12508BR-20A00	27.50	26.35	23.75
12508BR-21A00	28.75	27.60	25.00
12508BR-22A00	30.00	28.85	26.25
12508BR-23A00	31.25	30.10	27.50
12508BR-24A00	32.50	31.35	28.75
12508BR-25A00	33.75	32.60	30.00
12508BR-26A00	35.00	33.85	31.25
12508BR-27A00	36.25	35.10	32.50
12508BR-28A00	37.50	36.35	33.75
12508BR-29A00	38.75	37.60	35.00
12508BR-30A00	40.00	38.85	36.25

## Specification

ITEM	SPEC
Voltage Rating	AC/DC 250V
Current Rating	AC/DC 1A
Operating Temperature	-25°C ~ +85°C
Contact Resistance	30mΩ MAX
Withstanding Voltage	AC500V/1min
Insulation Resistance	500MΩ MIN
Applicable Wire	-
Applicable P.C.B	0.8 ~ 1.6mm
Applicable FPC/FFC	0.30±0.05mm
Solder Height	0.15mm
Crimp Tensile Strength	-
UL FILE NO	-