

**PLEASE CHECK WWW.MOLEX.COM FOR LATEST PART INFORMATION**

**Part Number:** [0039000338](#)  
**Status:** **Active**  
**Overview:** [standard\\_062](#)  
**Description:** 1.57mm (.062") Diameter, Standard .062" Pin and Socket Crimp Terminal, Series 1855, 3.68mm (.145") Pitch, Female, Tin (Sn) Plated Brass Contact, 22-28 AWG, Reel

**Documents:**

[Drawing \(PDF\)](#) [Product Specification PS-1855-003 \(PDF\)](#)  
[Product Specification PS-1855-002 \(PDF\)](#) [RoHS Certificate of Compliance \(PDF\)](#)

**General**

Product Family Crimp Terminals  
 Series [1855](#)  
 Crimp Quality Equipment Yes  
 Overview [standard\\_062](#)  
 Product Name Standard .062"

**Physical**

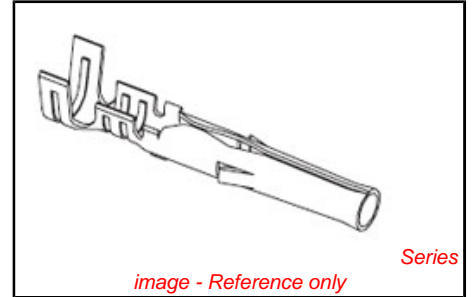
Gender Female  
 Material - Metal Brass  
 Material - Plating Mating Tin  
 Material - Plating Termination Tin  
 Packaging Type Reel  
 Plating min: Mating (µin) 35  
 Plating min: Mating (µm) 0.88  
 Plating min: Termination (µin) 35  
 Plating min: Termination (µm) 0.88  
 Termination Interface: Style Crimp or Compression  
 Wire Insulation Diameter 1.10-1.50mm (.043-.059")  
 Wire Size AWG 22, 24, 26, 28  
 Wire Size mm² N/A

**Material Info**

Old Part Number 1855T

**Reference - Drawing Numbers**

Packaging Specification SPK-1855-001  
 Product Specification PS-1855-002, PS-1855-003  
 Sales Drawing SD-1855\*



<p><b>EU RoHS</b>  <b>ELV and RoHS</b>  <b>Compliant</b>  <b>REACH SVHC</b>  <b>Contains SVHC: No</b>  <b>Halogen-Free</b>  <b>Status</b>  <b>Halogen-Free</b></p>	<p><b>China RoHS</b></p>
--	--------------------------

**Need more information on product environmental compliance?**

Email [productcompliance@molex.com](mailto:productcompliance@molex.com)  
 For a multiple part number RoHS Certificate of Compliance, [click here](#)

Please visit the [Contact Us](#) section for any non-product compliance questions.

**Search Parts in this Series**  
[1855Series](#)

**Use With**  
[1625nr](#) Receptacle Housing

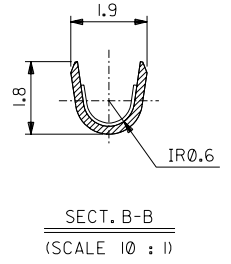
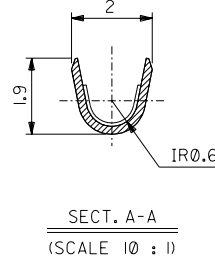
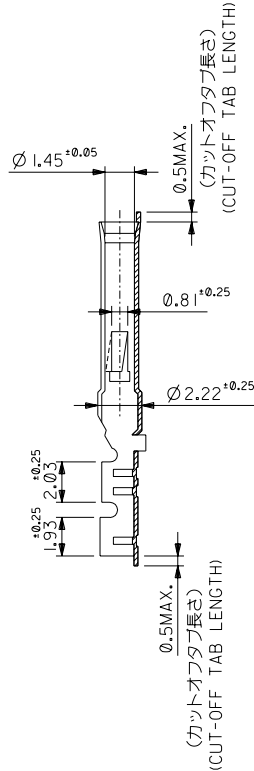
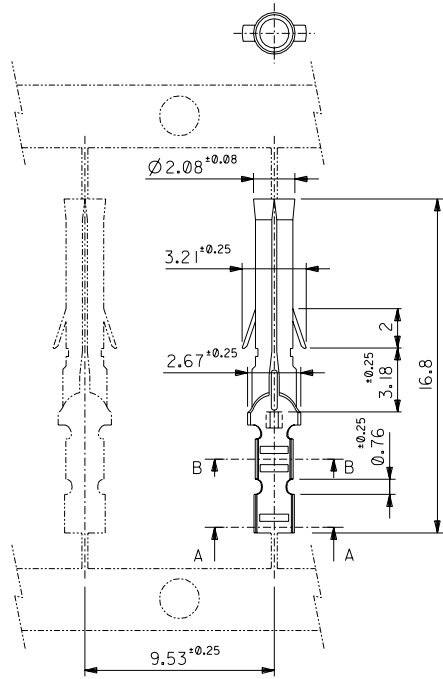
**Application Tooling | FAQ**  
*Tooling specifications and manuals are found by selecting the products below. Crimp Height Specifications are then contained in the Application Tooling Specification document.*

<b>Global</b>	
Description	Product #
Mini-Mac™ Applicator	<a href="#">0638914000</a>
Hand Crimp Tool	<a href="#">0638190800</a>
Manual Extraction Tool	<a href="#">0011030002</a>
<b>Japan</b>	
Description	Product #
Applicator for M211A Bench Press, 18-28	<a href="#">0011260072</a>

AWG, for 1560 and  
1561 Crimp Terminal

This document was generated on 05/19/2010

**PLEASE CHECK [WWW.MOLEX.COM](http://WWW.MOLEX.COM) FOR LATEST PART INFORMATION**



注記 NOTES:  
 1. 一般公差:  $\pm 0.4$   
 GENERAL TOLERANCES:  $\pm 0.4$

角度 ANGLE	11°						
30°以上 OVER	$\pm 0.3$						
10°以下 UNDER	$\pm 0.25$						
10°以下 UNDER	$\pm 0.2$						
一般公差 GENERAL TOLERANCES							

ニッケル (2 $\mu$ m MIN.) 下地 金 (0.35 $\mu$ m MIN.) GOLD (0.35 $\mu$ m MIN.) OVER NICKEL (2 $\mu$ m MIN.)	39-00-0341	1855GL	バラ端子 LOOSE
銅 (0.5 $\mu$ m MIN.) 下地 錫 (0.9 $\mu$ m MIN.) TIN (0.9 $\mu$ m MIN.) OVER COPPER (0.5 $\mu$ m MIN.)	39-00-0339	1855TL	バラ端子 LOOSE
銅 (0.5 $\mu$ m MIN.) 下地 錫 (0.9 $\mu$ m MIN.) TIN (0.9 $\mu$ m MIN.) OVER COPPER (0.5 $\mu$ m MIN.)	39-00-0338	1855T	バラ端子 LOOSE
マッキ PLATING	EDP.NO.	ENG.NO.	形状 FORM

材料 MATERIAL 黄銅 BRASS 0.2 t	仕上げ FINISH "	適用電線範囲 WIRE RANGE AWG#22-#28	被覆外径 INS. RANGE $\phi 1.1 \sim 1.5$
MOLEX MOLEX-JAPAN CO., LTD. 日本モレックス株式会社			
REVISE ONLY ON CAD SYSTEM			
TITLE 名称 .062 DIA. CRIMP FEMALE TERMINAL			
DWG. NO. SD-1855*		REV L	