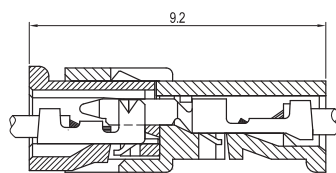
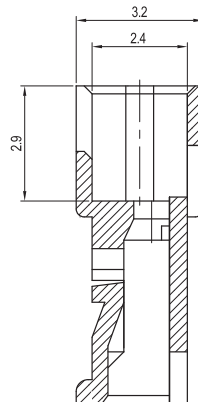
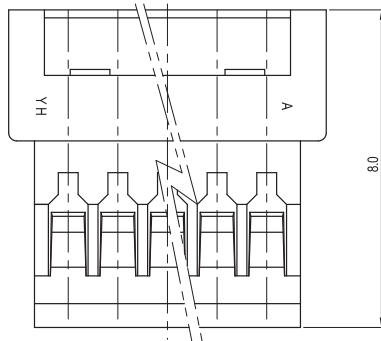
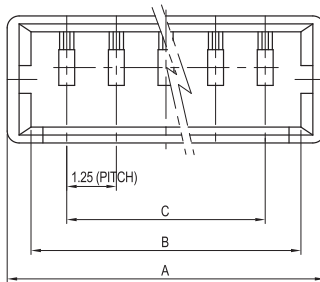
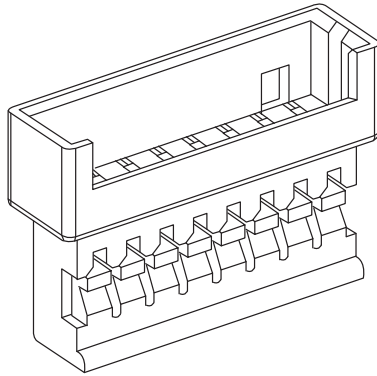


1.25mm (0.049") PITCH CONNECTOR

Wire-to-Wire
Plug

12505HP Series



TERMINAL ASSEMBLY



AWG : #28 ~ #32

Material

I/NO	DESCRIPTION	TITLE	MATERIAL
1	PLUG	12505HP	PA66, UL 94V Grade

Available Pin

PARTS NO.	A	B	C
12505HP-02000	4.25	3.05	1.25
12505HP-03000	5.52	4.30	2.50
12505HP-04000	6.75	5.55	3.75
12505HP-05000	8.03	6.87	5.00
12505HP-06000	9.25	8.05	6.25
12505HP-07000	10.52	9.30	7.50
12505HP-08000	11.78	10.55	8.75
12505HP-09000	13.00	11.8	10.00
12505HP-10000	14.36	13.05	11.25
12505HP-11000	15.50	14.30	12.50
12505HP-12000	16.75	15.55	13.75
12505HP-13000	18.00	16.80	15.00
12505HP-14000	19.25	18.05	16.25
12505HP-15000	20.50	19.30	17.50

Specification

ITEM	SPEC
Voltage Rating	AC/DC 125V
Current Rating	AC/DC 1A
Operating Temperature	-25°C~+85°C
Contact Resistance	30mΩ MAX
Withstanding Voltage	AC250V/1min
Insulation Resistance	100MΩ MIN
Applicable Wire	AWG #28~#32
Applicable P.C.B	-
Applicable FPC/FFC	-
Solder Height	-
Crimp Tensile Strength	-
UL FILE NO	-

Application Terminal : 12505TP (34 page)

Application Housing : 12505HS (31 page)