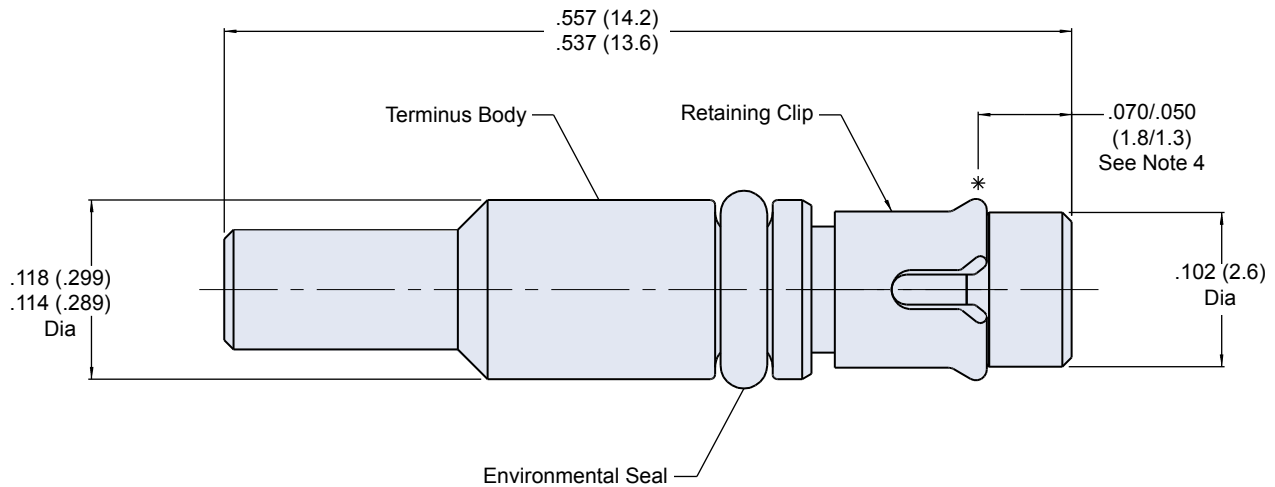


**181-051**  
**M29504/03 Style Dummy Terminus**  
**Size 16**



**APPLICATION NOTES**

1. Assembly packaged in plastic bag and tag identified with manufacturer's name and part number and date code.
2. Material/ Finish:  
 Terminus Body: Stainless Steel/Passivate  
 Retaining Clip: Spring Alloy/Nickel  
 Seal: Fluorosilicone
3. Dummy terminus is designed to meet the general requirements of MIL-PRF-29504/03.
4. Dimension to be measured when installed into insert equivalent fixture per MIL-PRF-29504/03.

**TABLE III: TERMINUS ACCESSORIES**

Part Number	Accessory
182-013	Insertion Tool, Straight
182-014	Insertion Tool, 90°
182-015	Removal Tool