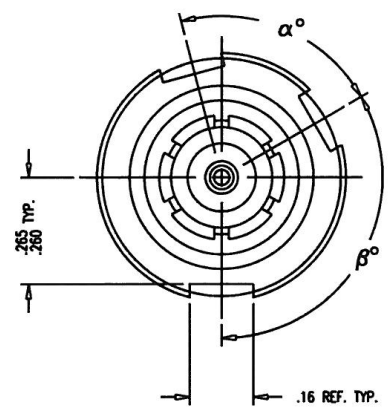
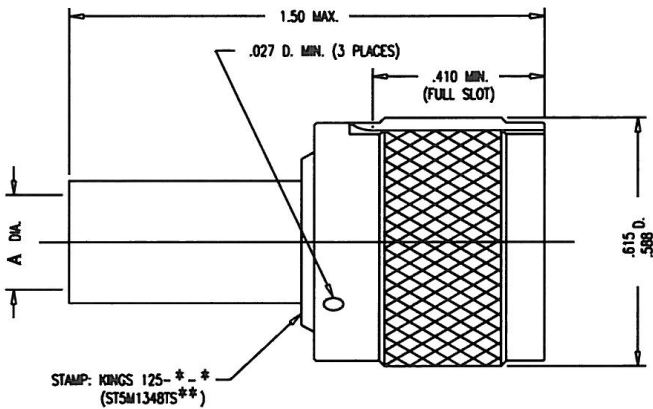


DASH NO.	M CODE	MADE FROM
----------	--------	-----------

GSD

125- *- * (SHEET 1 OF 2)

REVISIONS	
REVISE	CHANGES
1	CN 32553 E REDRAWN JCA 10/04/90
2	CN 33366 E JCA 09/27/91



- NOTES:
- MATERIALS:
INSULATOR: TEFLON, ASTM-D-1457
GASKET: SIL. RUB., ZZ-R-765
C-RING: BER. COP., ASTM-B-196
K-GRIP SLEEVE: COM. BRONZE TUBE, ALLOY 220
ALL OTHER PARTS: BRASS, ASTM-B16
 - FINISHES:
CENTER CONTACT: HARD GOLD PLT. PER MIL-G-45204
ALL OTHER METAL PARTS: SILVER PLT. PER QQ-S-365
 - ELECTRICAL CHARACTERISTICS:
NOMINAL IMPEDANCE: 50 OHMS
VOLTAGE RATING: 500 VRMS
FREQUENCY RANGE: DC TO 11 GHz

JCA0946	
SCALE 4:1	
APPROX SURFACE AREA	
USED ON	
REF: MC AIR ST5M1348TS**	
PLUG, TNC, KEYED	
DESIGN JCA	DATE 10/04/90
DESIGN MJB	DATE 10/04/90
APPR.	DATE
 KINGS ELECTRONICS CO., INC. TUCKAHOE, NEW YORK 10707 125- *- * (SHEET 1 OF 2)	

GSD

MAY 2007 THIS DRAWING BECAME THE PROPERTY OF PROPERTY OF WINCHESTER ELECTRONICS CORPORATION, WALLINGFORD, CT 06492

KINGS NO.	MCDONNELL DOUGLAS NO.	A DIA.	α°	β°	CABLE GROUPS	JACKET TRIM JIG	DIELECTRIC TRIM JIG	CRIMP DIE	REVISIONS	
									REVISE	CHANGES
125-1-1	ST5M1348TS1B	.22 D.	72	120	FOR USE WITH RG-142, 223 & 400/U CABLE GROUPS.		KTD-166		1	CN 32553 E REDRAWN JCA 10/04/90
125-1-2	ST5M1348TS2B		96	96						
125-1-3	ST5M1348TS3B		120	144						
125-1-4	ST5M1348TS4B		72	144						
125-1-5	ST5M1348TS5B		120	120						
125-1-6	ST5M1348TS6B		120	72						
125-1-7	ST5M1348TS7B		120	96						
125-1-8	ST5M1348TS8B		110	72						
125-2-1	ST5M1348TS1C	.21 D.	72	120	FOR USE WITH G.D. 5M1010-1 CABLE.	KTJ-113	KTD-24	KTH-2001		
125-2-2	ST5M1348TS2C		96	96						
125-2-3	ST5M1348TS3C		120	144						
125-2-4	ST5M1348TS4C		72	144						
125-2-5	ST5M1348TS5C		120	120						
125-2-6	ST5M1348TS6C		120	72						
125-2-7	ST5M1348TS7C		120	96						
125-2-8	ST5M1348TS8C		110	72						
125-3-1	ST5M1348TS1D		72	120	FOR USE WITH G.D. ST5M1347 CABLE.		KTD-244			
125-3-2	ST5M1348TS2D		96	96						
125-3-3	ST5M1348TS3D		120	144						
125-3-4	ST5M1348TS4D		72	144						
125-3-5	ST5M1348TS5D		120	120						
125-3-6	ST5M1348TS6D		120	72						
125-3-7	ST5M1348TS7D		120	96						
125-3-8	ST5M1348TS8D		110	72						
125-4-1	ST5M1348TS1E	.18 D.	72	120	FOR USE WITH G.D. ST5M1351 & RG-180 CABLE.	KTJ-116	KTD-161	KTH-2007		
125-4-2	ST5M1348TS2E		96	96						
125-4-3	ST5M1348TS3E		120	144						
125-4-4	ST5M1348TS4E		72	144						
125-4-5	ST5M1348TS5E		120	120						
125-4-6	ST5M1348TS6E		120	72						
125-4-7	ST5M1348TS7E		120	96						
125-4-8	ST5M1348TS8E		110	72						

125-*-* (SHEET 2 OF 2)

JCA0947

SCALE 1:1

APPROX SURFACE AREA

USED ON

REF: MC AIR ST5M1348TS**

TNC PLUG

DESIGN JCA	DATE 10/04/90
DESIGN MJB	DATE 10/04/90
APPR.	DATE

KINGS

ELECTRONICS CO., INC.
TUCKAHOE, NEW YORK 10707

125-*-*
(SHEET 2 OF 2)

GSD

GSD

MAY 2007 THIS DRAWING BECAME THE PROPERTY OF PROPERTY OF WINCHESTER ELECTRONICS CORPORATION, WALLINGFORD, CT 06492