



PD42 Three Digit 7 Segment 0.56" Display

Features

- *3 Digit .56" (14.22mm) Orange Display
- *Multiplex Drive with 12 Pins
- *Low Current Requirements
- *High Uniform Light Output
- *IC Compatible
- *High Reliability
- *Gray Face, White Segments
- *RoHS Compliant

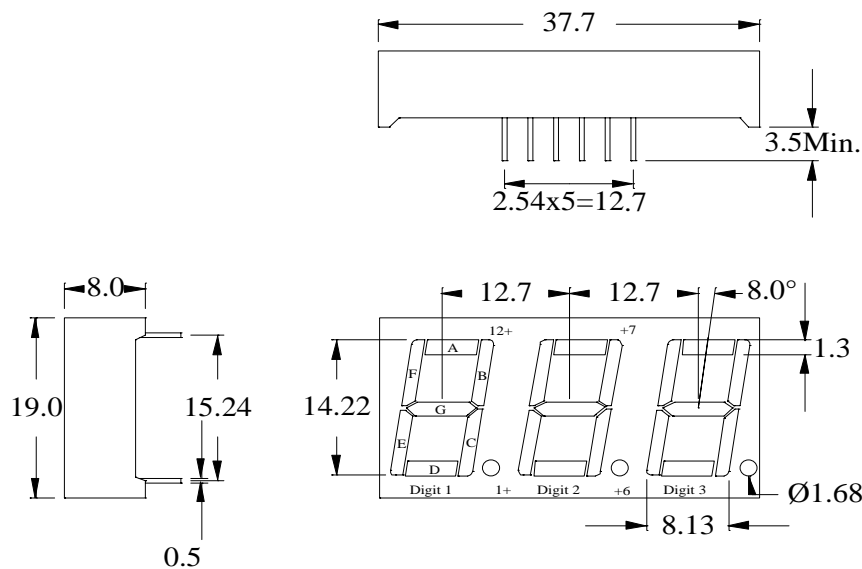
Absolute Maximum Ratings at T_A = 25° C

Power Dissipation.....	78mA
Reverse Voltage Per LED Chip (<100µA).....	5.0V
Max Forward Current Per LED Chip.....	30mA
Peak Froward Current (1/10 Duty Cycle, 0.1ms Pulse Width)	100mA
Operating Temperature Range	-25°C to +85°C
Storage Temperature Range	-40°C to +100°C
Soldering Temperature (1.6mm from seating plane)	260° for 5 seconds

Electrical & Optical Characteristics at T_A = 25 °C

Part Number		Emitting Color	Chip Material	Dominant Wave Length	Peak Wave Length	Forward Voltage @20mA (V)		Luminous Intensity @10mA (mcd)	
Common Anode	Common Cathode			nm	nm	Typ	Max	Min	Typ
PD42-CAMO12	PD42-CCMO12	Orange-Red	GaAsP	626	635	2.1	2.6	3.0	6.0

Package dimensions All dimensions are in **Millimeters**. Tolerance is ± 0.25mm unless otherwise specified. The Slope Angle of any Pin maybe ± 5.0° max.



Function of Pin

Common Anode	Common Cathode
1 Cathode E	1 Anode E
2 Cathode D	2 Anode D
3 Cathode DP	3 Anode DP
4 Cathode C	4 Anode C
5 Cathode G	5 Anode G
6 No Connection	6 No Connection
7 Cathode B	7 Anode B
8 Common Anode Digit 3	8 Common Cathode Digit 3
9 Common Anode Digit 2	9 Common Cathode Digit 2
10 Cathode F	10 Anode F
11 Cathode A	11 Anode A
12 Common Anode Digit 1	12 Common Cathode Digit 1