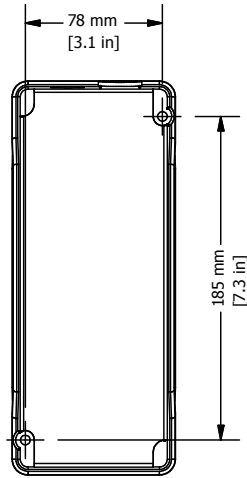
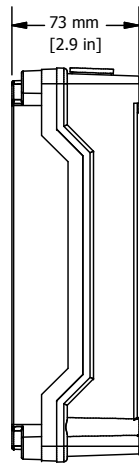
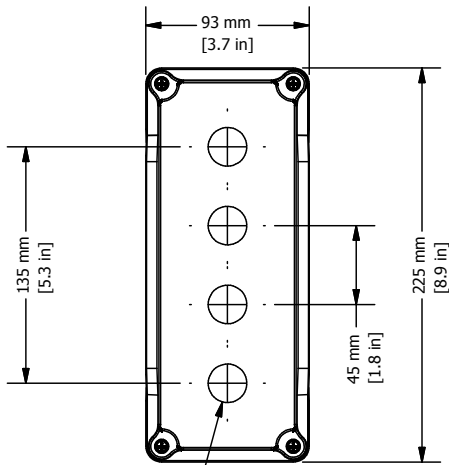
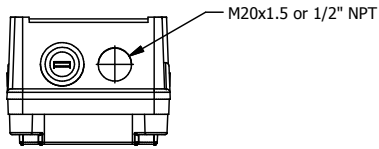
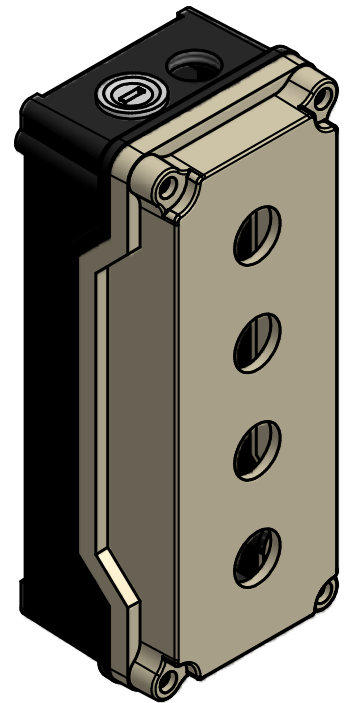
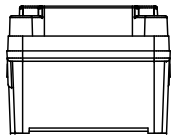


REVISION FOR DWG # 1PB-2005G13

REV	CH.NO.	DESCRIPTION	DATE	REVISED BY
-	-	ORIGINAL DESIGN	11/7/2007	PHILIPP E.



Ø22 mm
[.9 in]



2 contact blocks can be used with an illuminated operator. 4 contact blocks can be used with any non-illuminated operator.

UNLESS OTHERWISE SPECIFIED:
• ALL DIMENSIONS ARE IN MILLIMETERS
• THIRD ANGLE PROJECTION



This Drawing is the property of

Altrach Corp.

35 Royal Road
Flemington, NJ 08822-6000
(908) 806-9400
Fax (908) 806-9490

METRIC

AND IS A CONFIDENTIAL DISCLOSURE WITHOUT CONSIDERATION OTHER THAN THE BORROWER'S AGREEMENT THAT IT SHALL NOT BE REPRODUCED, COPIED, LENT OR DISPOSED OF DIRECTLY OR INDIRECTLY NOR USED FOR ANY PURPOSE OTHER THAN THAT FOR WHICH IT IS SPECIFICALLY FURNISHED.

TITLE 22 mm Aluminum Enclosure Gravity Die Cast 2005G13 (cable entry thread size: 2xM20) and 2009G13 (cable entry thread size: 2x1/2"-14 NPT)

TOLERANCE	
XX	±1 mm
XX.X	±0.5 mm
XX.XX	±0.2 mm
ALL	- mm

DRAWN BY: Philipp Ernstberger	11/7/2007
CHECKED BY: Laszlo Gyorgypal	11/7/2007
RELEASED BY: Laszlo Gyorgypal	11/7/2007

DRAWING NO.:
1PB-2005G13

REV.:
-

SCALE: -

SHEET: 1

OF: 1