

FCI CONFIDENTIAL



This document is the property of and embodies CONFIDENTIAL and PROPRIETARY information of FCI. No part of the information shown on this document may be used in any way or disclosed to others without the written consent of FCI. Copyright FCI.

PRODUCT NUMBER
20020516-MXX1B01LF

20020516 - □ □ □ 1 B 0 1 L F

PITCH
M: 7.62 mm

POLES
02: 2 POLES
03: 3 POLES
04: 4 POLES
16: 16 POLES

LF: DENOTED RoHS COMPATIBLE

| PROPERTY TABLE | |
|----------------------------|----------|
| FCI SERIES NAME | 04-762 |
| PITCH (mm) | 7.62 |
| VOLTAGE RATING (VAC) | 300 |
| CURRENT RATING (A) | 32 |
| APPLICABLE WIRE RANGE(AWG) | 10~24 |
| WIRE CROSS SECTION(mm*mm) | 6.0~0.2 |
| WIRE STRIP LENGTH(mm) | 10~11 |
| TORQUE +/-10% (N-m/Lb-in) | 0.79/7.0 |
| SCREW | M3.5x0.5 |
| WITHSTANDING VOLTAGE (kV) | 1.6 |
| OPERATING TEMP. (°C) | -40~+115 |
| POLES AVAILABLE | 02~16 |
| SAFETY CERTIFICATE | |

NOTES:
 1. MATERIALS
 1-1 HOUSING: THERMALPLASTIC RESIN, UL 94V-0 RATED, COLOR GREEN.
 1-2 SCREW: STEEL, ZINC PLATED.
 1-3 CLAMP: BRASS, NICKEL PLATED.
 1-4 TERMINAL: COPPER, TIN PLATED.
 1-5 WIRE GUARD: STAINLESS STEEL.
 2. PRODUCT SPECIFICATION REFER TO FCI GS-12-625.
 3. BOXED PACKAGING, DETAILED PRODUCT PACKING SPECIFICATION REFER TO FCI GS-14-1394.
 4. FCI, SAFETY CERTIFICATE LOGO AND SERIES NAME TO BE SHOWN ON PRODUCT SURFACE.
 5. THE PRODUCTS WHERE THE PART NUMBER END IN "LF" MEET THE EUROPEAN UNION DIRECTIVE AND OTHER COUNTRY REGULATIONS AS DESCRIBED IN GS-22-008.

| TOLERANCES UNLESS OTHERWISE SPECIFIED | | | | rev | ecn no | dr | date |
|---------------------------------------|-----|-------|---|-----|-----------|----|--------|
| LINEAR | X | ±0.5 | - | A | 0609-0203 | BF | 062509 |
| | XX | ±0.30 | - | B | T09-1148 | BF | 111709 |
| | XXX | ±0.10 | - | C | T09-1152 | BF | 112609 |
| ANGULAR | X' | ±1' | - | D | T10-0042 | WL | 030310 |

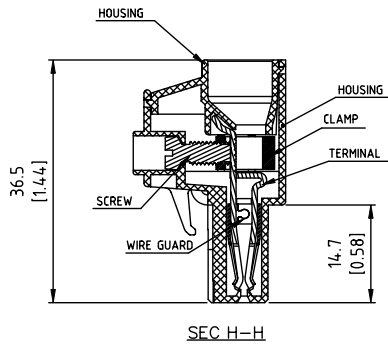
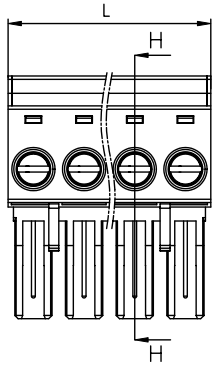
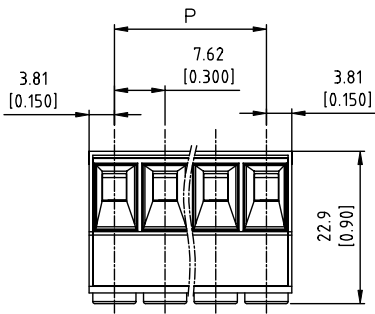
| | | | |
|-------------------------|----------------|------------|--------------|
| Material | Spec ref * | | |
| Mat code | tolerance | projection | MM |
| Heattreat | ✓ | ⊕ | ← |
| Plating/Finish | size | A4 | Scale |
| Dr BEER FU 062509 | Product family | ECN | T10-0042 |
| Eng BEER FU 062509 | Model Name | REL Level | RELEASED |
| Chr GARY HSIEH 062509 | Model Revision | Rev. | D |
| Appr JOSEPH HSIA 062509 | catalog no | 20020516 | sheet 1 of 2 |

FCI CONFIDENTIAL



This document is the property of and embodies CONFIDENTIAL and PROPRIETARY information of FCI. No part of the information shown on this document may be used in any way or disclosed to others without the written consent of FCI. Copyright FCI.

| | | |
|--------------------|-------------|---------|
| PRODUCT NUMBER | SERIES NAME | PITCH |
| 20020516-MXX1B01LF | 04-762 | 7.62 mm |



N = Number of poles
 Dim L = N x 7.62 [0.300]
 Dim P = (N-1) x 7.62 [0.300]

| TOL. | Dim L | Dim P |
|--------|---------------|-------|
| 2-4p | ±0.10 [0.004] | |
| 5-8p | ±0.20 [0.008] | |
| 9-12p | ±0.30 [0.012] | |
| 13-16p | ±0.40 [0.016] | |

| | | | |
|-------------------------|----------------|--------------------|------------|
| Material | | Spec ref | |
| Mat code | | tolerance | projection |
| Heattreat | | ✓ | MM |
| Plating/Finish | | | size A4 |
| Dr BEER FU 062509 | Product family | | Scale |
| Eng GARY HSIEH 062509 | Model Name | ECN T10-0042 | |
| Appr JOSEPH HSIA 062509 | Model Revision | REL Level RELEASED | |
| title | TERMINAL BLOCK | dwg no | 20020516 |
| Pro/E file | catalog no | CUSTOMER | Rev. D |
| | | sheet 2 of 2 | |

3 **PDM: Rev:D** STATUS: **Released** 4 Printed: May 08, 2010