

FCI CONFIDENTIAL



This document is the property of and embodies CONFIDENTIAL and PROPRIETARY information of FCI. No part of the information shown on this document may be used in any way or disclosed to others without the written consent of FCI. Copyright FCI.

PRODUCT NUMBER
20020316-XXX1B01LF

20020316- □ □ □ 1 B 0 1 L F

PITCH
G: 5.00 mm
H: 5.08 mm

POLES
02: 2 POLES
03: 3 POLES
04: 4 POLES
24: 24 POLES

LF: DENOTED RoHS COMPATIBLE

PROPERTY TABLE				
FCI SERIES NAME		21-500	21-508	
PITCH (mm)		5.00	5.08	
VOLTAGE RATING (VAC)		300	300	
CURRENT RATING (A)		16	16	
APPLICABLE WIRE RANGE (AWG)	1-WIRE	12~28	12~28	
	2-WIRE	18~28	18~28	
WIRE CROSS SECTION (mm ²)	SOLID	1-WIRE	2.5	2.5
		2-WIRE	1	1
	STRANDED	1-WIRE	1.5	1.5
		2-WIRE	0.75	0.75
OPENING CONTACT HOUSING(mm)		2.1*2.7	2.1*2.7	
WIRE STRIP LENGTH(mm)		6~7	6~7	
TORQUE +/-10% (N-m/Lb-in)		0.40/3.5	0.40/3.5	
SCREW		M3x0.5	M3x0.5	
WITHSTANDING VOLTAGE (kV)		1.6	1.6	
OPERATING TEMP. (°C)		-40~+115	-40~+115	
SOLDERING TEMP. (°C)		250±10 (5 sec.)	250±10 (5 sec.)	
POLES AVAILABLE		02~24	02~24	
SAFETY CERTIFICATE				

- NOTES:**
- MATERIALS**
1-1 HOUSING: THERMALPLASTIC RESIN, UL 94V-0 RATED, COLOR GREEN.
1-2 SCREW: STEEL, ZINC PLATED.
1-3 CLAMP: BRASS, NICKEL PLATED.
1-4 TERMINAL: BRASS, TIN PLATED.
 - PRODUCT SPECIFICATION REFER TO FCI GS-12-625.
 - BOXED PACKAGING,
DETAILED PRODUCT PACKING SPECIFICATION REFER TO FCI GS-14-1394.
 - FCI, SAFETY CERTIFICATE LOGO AND SERIES NAME TO BE SHOWN ON PRODUCT SURFACE.
 - THE PRODUCTS WHERE THE PART NUMBER END IN "LF" MEET THE EUROPEAN UNION DIRECTIVE AND OTHER COUNTRY REGULATIONS AS DESCRIBED IN GS-22-008.
 - RECOMENDED SOLDERING PROCESS BY WAVE SOLDER.

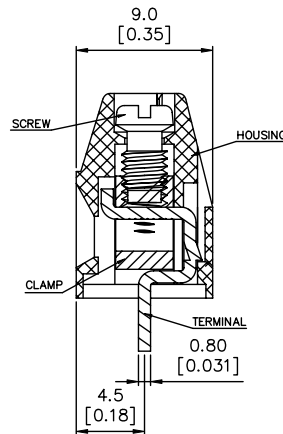
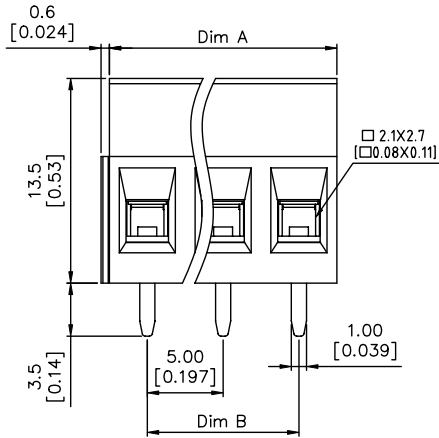
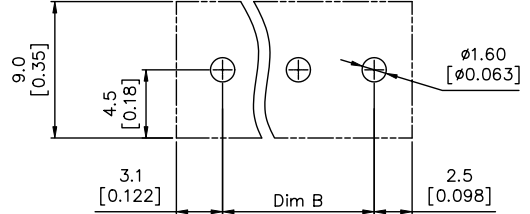
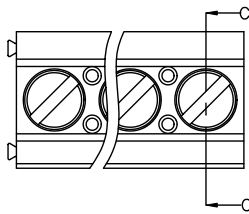
TOLERANCES UNLESS OTHERWISE SPECIFIED			
LINEAR	X	±0.5	
	XX	±0.30	
	XXX	±0.10	
ANGULAR	X'	±1'	

Material	Spec ref *		
Mat code	tolerance	projection	MM
Heattreat	✓		←
Plating/Finish		size A4	Scale
Dr BEER FU	062509	Product family	
Eng BEER FU	062509	Model Name	ECN T10-0083
Chr GARY HSIEH	062509	Model Revision	REL Level RELEASED
Appr JOSEPH HSIA	062509	Model Revision	REL Level RELEASED
	TERMINAL BLOCK	chg no	20020316
Pro/E file	catalog no	CUSTOMER	sheet 1 of 3
	Fixed horizontal		Rev. E



This document is the property of and embodies CONFIDENTIAL and PROPRIETARY information of FCI. No part of the information shown on this document may be used in any way or disclosed to others without the written consent of FCI. Copyright FCI.

PRODUCT NUMBER	SERIES NAME	PITCH
20020316-GXX1B01LF	21-500	5.00 mm



N = Number of poles
 Dim A = N*5.0 [0.197]
 Dim B = (N-1)*5.0 [0.197]

TOL.	Dim A	Dim B
2-6p	±0.15 [0.006]	
7-12p	±0.25 [0.010]	
13-16p	±0.35 [0.014]	
17-24p	±0.40 [0.016]	

Material		Spec ref	
Mat code		tolerance	projection
Heattreat		✓	MM
Plating/Finish		size	Scale
Dr BEER FU 062509	Product family	A4	
Eng GARY HSIEH 062509	Model Name	ECN	T10-0083
Appr JOSEPH HSIA 062509	Model Revision	REL Level	RELEASED
	title	dmg no	Rev.
	TERMINAL BLOCK	20020316	E
Pro/E file	catalog no	CUSTOMER	sheet 2 of 3



This document is the property of and embodies CONFIDENTIAL and PROPRIETARY information of FCI. No part of the information shown on this document may be used in any way or disclosed to others without the written consent of FCI. Copyright FCI.

