



This document is the property of and embodies CONFIDENTIAL and PROPRIETARY information of FCI. No part of the information shown on this document may be used in any way or disclosed to others without the written consent of FCI. Copyright FCI.

PRODUCT NUMBER
20020008-XXX1B01LF

20020008 - 1 B 0 1 L F

PITCH

C: 3.50 mm
D: 3.81 mm
G: 5.00 mm
H: 5.08 mm

POLES

02: 2 POLES
03: 3 POLES
04: 4 POLES
|
|
24: 24 POLES

LF: DENOTED RoHS COMPATIBLE

FCI SERIES NAME	02-350	02-381	02-500	02-508
PITCH (mm)	3.50	3.81	5.00	5.08
VOLTAGE RATING (VAC)	300	300	300	300
CURRENT RATING (A)	8	8	12	12
APPLICABLE WIRE RANGE(AWG)	16~28	16~28	12~24	12~24
WIRE CROSS SECTION (mm*mm)	1.5~0.15	1.5~0.15	4.0~0.2	4.0~0.2
WIRE STRIP LENGTH(mm)	6~7	6~7	6~7	6~7
TORQUE +/-10% (N-m/Lb-in)	0.19/1.7	0.19/1.7	0.4/3.5	0.4/3.5
SCREW	M2x0.4	M2x0.4	M3x0.5	M3x0.5
WITHSTANDING VOLTAGE (kV)	1.6	1.6	1.6	1.6
OPERATING TEMP. (°C)	-40~+115	-40~+115	-40~+115	-40~+115
POLES AVAILABLE	02~24	02~24	02~24	02~24
SAFETY CERTIFICATE				

NOTES:

- MATERIALS**
 - 1-1 HOUSING: THERMALPLASTIC RESIN, UL 94V-0 RATED, COLOR GREEN.
 - 1-2 SCREW: STEEL, ZINC PLATED.
 - 1-3 CLAMP: BRASS, NICKEL PLATED.
 - 1-4 TERMINAL: PHOSPHOROUS BRONZES, TIN PLATED.
- PRODUCT SPECIFICATION REFER TO FCI GS-12-625.
- BOXED PACKAGING, DETAILED PRODUCT PACKING SPECIFICATION REFER TO FCI GS-14-1394.
- FCI, SAFETY CERTIFICATE LOGO AND SERIES NAME TO BE SHOWN ON PRODUCT SURFACE.
- THE PRODUCTS WHERE THE PART NUMBER END IN "LF" MEET THE EUROPEAN UNION DIRECTIVE AND OTHER COUNTRY REGULATIONS AS DESCRIBED IN GS-22-008.

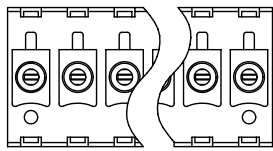
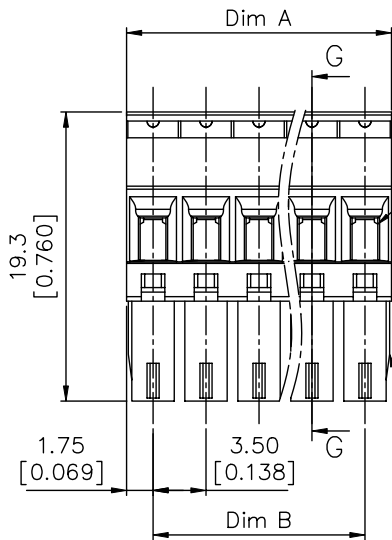
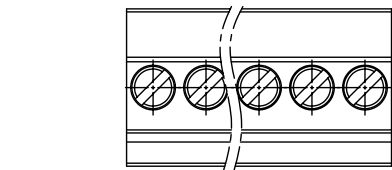
TOLERANCES UNLESS OTHERWISE SPECIFIED				rev	ecn no	dr	date
LINEAR	X	±0.5	-	A	0609-0203	BF	062509
	XX	±0.30	-	B	T09-1148	BF	111709
	XXX	±0.10	-	C	T09-1152	BF	112609
ANGULAR	X'	±1'	-	D	T10-0042	VL	030310

Material	Spec ref *		
Mat code	tolerance	projection	MM
Heattreat	✓		←
Plating/Finish	size	A4	Scale
Dr BEER FU	062509	Product family	ECN T10-0042
Eng BEER FU	062509	Model Name	REL Level RELEASED
Chr GARY HSIEH	062509	Model Revision	
Appr JOSEPH HSIA	062509		
title	TERMINAL BLOCK		Rev. D
Pro/E file	catalog no	20020008	sheet 1 of 5



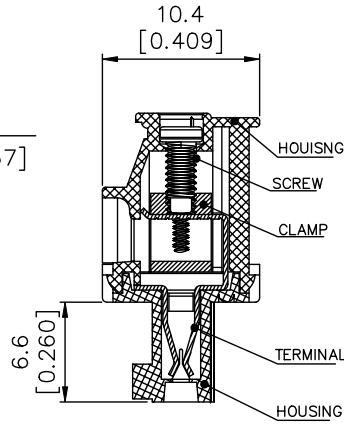
This document is the property of and embodies CONFIDENTIAL and PROPRIETARY information of FCI. No part of the information shown on this document may be used in any way or disclosed to others without the written consent of FCI. Copyright FCI.

PRODUCT NUMBER	SERIES NAME	PITCH
20020008-CXX1B01LF	02-350	3.50 mm



□2.8x1.7
[0.110x0.067]

2p to 6p with wedge, above 7p
without wedge (including 7p)



N = Number of poles
Dim A = $N \times 3.5$ [0.138]
Dim B = $(N-1) \times 3.5$ [0.138]

TOL.	Dim A	Dim B
2-6p	± 0.15 [0.006]	
7-12p	± 0.20 [0.008]	
13-18p	± 0.25 [0.010]	
19-24p	± 0.30 [0.012]	

Material		Spec ref	
Mat code		tolerance	projection
Heattreat		✓	MM
Plating/Finish		size	Scale
Dr BEER FU 062509	Product family	A4	
Eng BEER FU 062509	Model Name	ECN	T10-0042
Chr GARY HSIEH 062509	Model Revision	REL Level	RELEASED
Appr JOSEPH HSIA 062509			
title	TERMINAL BLOCK	dwg no	20020008
Pro/E file	catalog no	CUSTOMER	sheet 2 of 5
			Rev. D

3 PDM: Rev:D

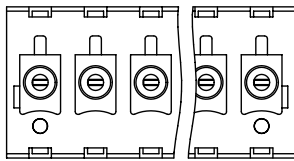
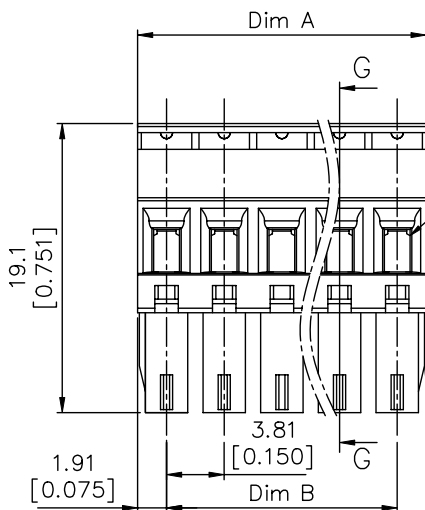
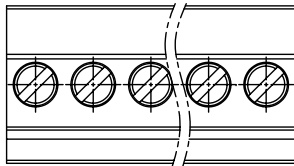
STATUS: Released

4 Printed: May 08, 2010

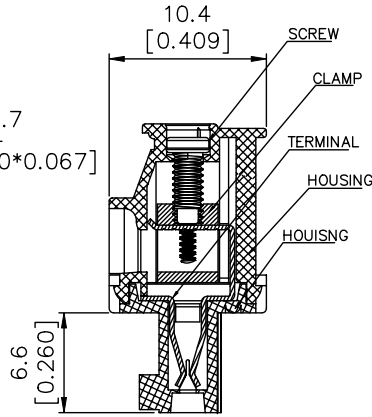


This document is the property of and embodies CONFIDENTIAL and PROPRIETARY information of FCI. No part of the information shown on this document may be used in any way or disclosed to others without the written consent of FCI. Copyright FCI.

PRODUCT NUMBER	SERIES NAME	PITCH
20020008-DXX1B01LF	02-381	3.81 mm



□2.8x1.7
[0.110*0.067]



SEC G-G

2p to 6p with wedge, above 7p
without wedge (including 7p)

N = Number of poles
Dim A = N x 3.81 [0.150]
Dim B = (N-1) x 3.81 [0.150]

TOL.	Dim A	Dim B
2-6p	±0.15 [0.006]	
7-12p	±0.20 [0.008]	
13-18p	±0.25 [0.010]	
19-24p	±0.30 [0.012]	

Material		Spec ref	
Mat code		tolerance	projection
Heat treat		✓	MM
Plating/Finish		size	A4
Dr BEER FU 062509	Product family	Scale	
Eng BEER FU 062509	Model Name	ECN	T10-0042
Chr GARY HSIEH 062509	Model Revision	REL Level	RELEASED
Appr JOSEPH HSIA 062509			
title	TERMINAL BLOCK	dwg no	20020008
Pro/E file	catalog no	CUSTOMER	sheet 3 of 5
	Pluggable plug, hook entry side		Rev. D

3 PDM: Rev:D

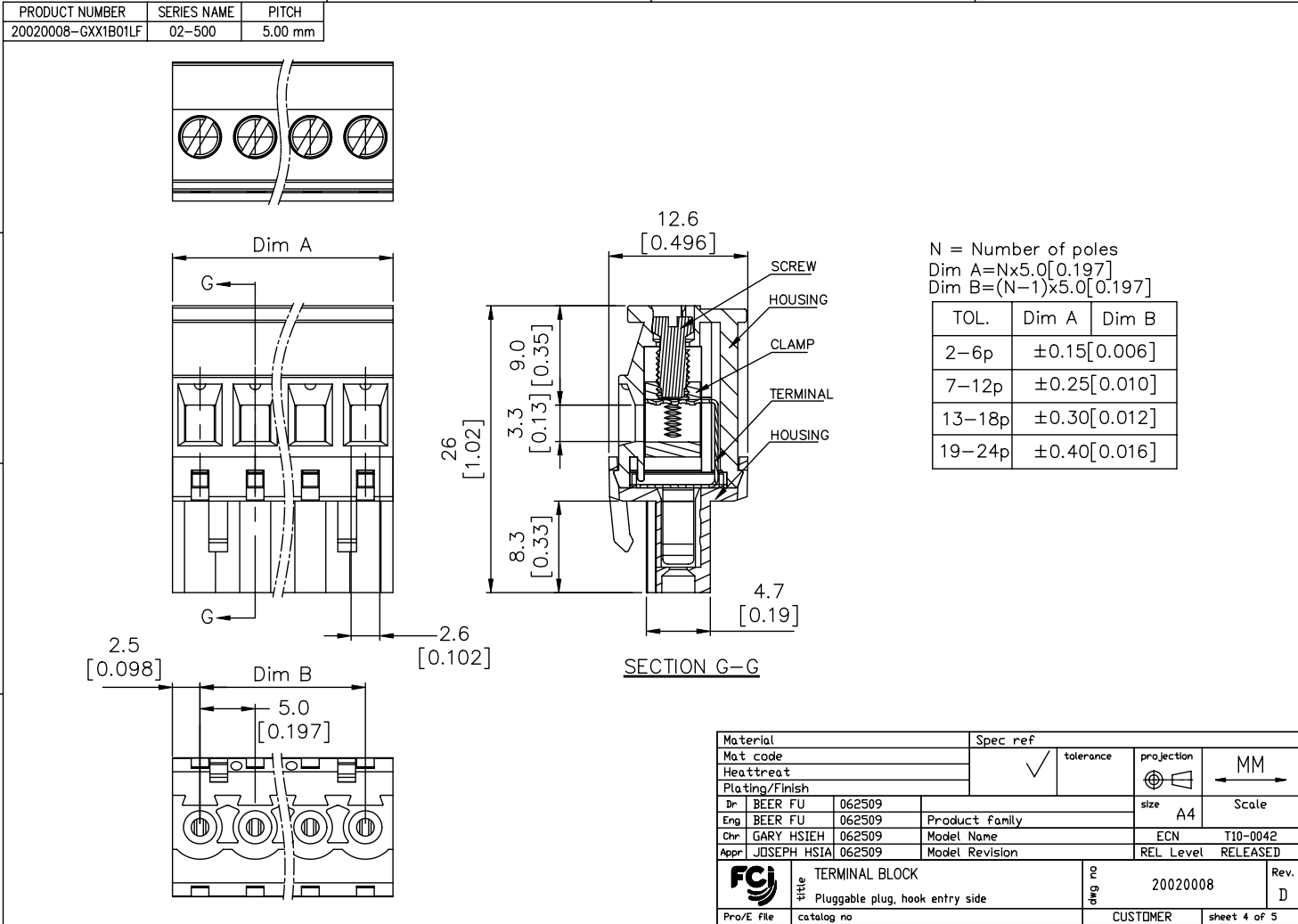
STATUS: Released

4 Printed: May 08, 2010

FCI CONFIDENTIAL



This document is the property of and embodies CONFIDENTIAL and PROPRIETARY information of FCI. No part of the information shown on this document may be used in any way or disclosed to others without the written consent of FCI. Copyright FCI.



FCI CONFIDENTIAL



This document is the property of and embodies CONFIDENTIAL and PROPRIETARY information of FCI. No part of the information shown on this document may be used in any way or disclosed to others without the written consent of FCI. Copyright FCI.

