

FCI CONFIDENTIAL



This document is the property of and embodies CONFIDENTIAL and PROPRIETARY information of FCI. No part of the information shown on this document may be used in any way or disclosed to others without the written consent of FCI. Copyright FCI.

PRODUCT NUMBER
20020006-XXX1B01LF

20020006 - [] [] [] 1 B 0 1 L F

PITCH
G: 5.00 mm
H: 5.08 mm

POLES
02: 2 POLES
03: 3 POLES
04: 4 POLES
:
:
:
24: 24 POLES

LF: DENOTED RoHS COMPATIBLE

PROPERTY TABLE		
FCI SERIES NAME	01-500	01-508
PITCH (mm)	5.00	5.08
VOLTAGE RATING (VAC)	300	300
CURRENT RATING (A)	12	12
APPLICABLE WIRE RANGE (AWG)	12 24	12 24
WIRE CROSS SECTION (mm×mm)	4.0 0.2	4.0 0.2
WIRE STRIP LENGTH(mm)	7 8	7 8
TORQUE +/-10% (N-m/Lb-in)	0.57/5.0	0.57/5.0
SCREW	M3x0.5	M3x0.5
WITHSTANDING VOLTAGE (kV)	1.6	1.6
OPERATING TEMP. (°C)	-40 +115	-40 +115
POLES AVAILABLE	02 24	02 24
SAFETY CERTIFICATE		

- NOTES:**
- MATERIALS**
1-1 HOUSING: THERMAL PLASTIC RESIN, UL 94V-0 RATED, COLOR GREEN.
1-2 SCREW: STEEL, ZINC PLATED.
1-3 CLAMP: BRASS, NICKEL PLATED.
1-4 TERMINAL: PHOSPHOROUS BRONZES, TIN PLATED.
 - PRODUCT SPECIFICATION REFER TO FCI GS-12-625.**
 - BOX PACKAGING,**
DETAILED PRODUCT PACKING SPECIFICATION REFER TO FCI GS-14-1394.
 - FCI, SAFETY CERTIFICATE LOGO AND SERIES NAME TO BE SHOWN ON PRODUCT SURFACE.**
 - THE PRODUCTS WHERE THE PART NUMBER END IN "LF" MEET THE EUROPEAN UNION DIRECTIVE AND OTHER COUNTRY REGULATIONS AS DESCRIBED IN GS-22-008.

TOLERANCES UNLESS OTHERWISE SPECIFIED			
	X	±0.5	
LINEAR	XX ±0.30	-	-
	XXX ±0.10	-	-
ANGULAR	X° ±1°	-	-

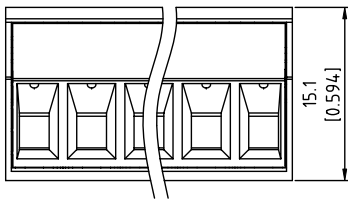
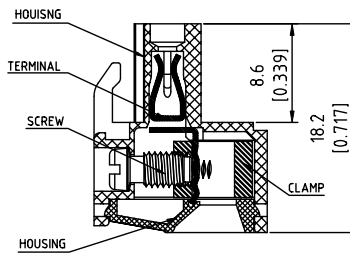
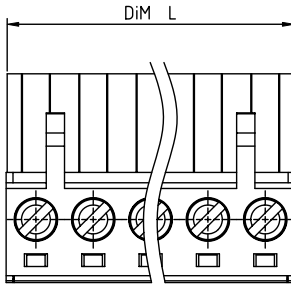
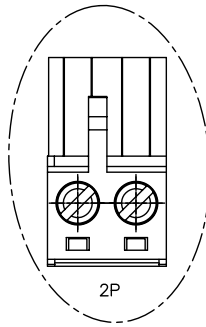
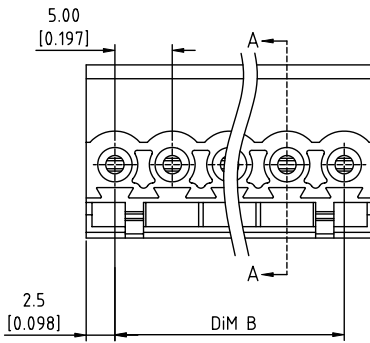
Material	Spec ref *		tolerance	projection	MM
Mat code			✓		←
Heattreat				size A4	Scale
Plating/Finish					
Dr	BEER FU	062509	Product family		
Eng	BEER FU	062509	Model Name		
Chr	GARY HSIEH	062509	Model Revision		
Appr	JOSEPH HSIA	062509	REL Level RELEASED		
	title TERMINAL BLOCK		dwg no	20020006	
Pro/E file	catalog no		CUSTOMER	sheet 1 of 3	

FCI CONFIDENTIAL



This document is the property of and embodies CONFIDENTIAL and PROPRIETARY information of FCI. No part of the information shown on this document may be used in any way or disclosed to others without the written consent of FCI. Copyright © FCI.

PRODUCT NUMBER	SERIES NAME	PITCH
20020006-GXX1B01LF	01-500	5.00 mm



N = Number of poles
 Dim A = N x 5.0 [0.197]
 Dim B = (N - 1) x 5.0 [0.197]

TOL.	Dim A	Dim B
	±0.15 [0.006]	
	±0.20 [0.008]	
	±0.25 [0.010]	
	±0.30 [0.012]	
	±0.40 [0.016]	

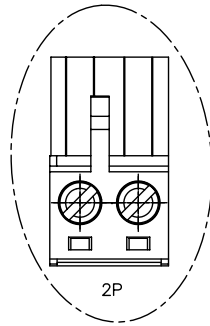
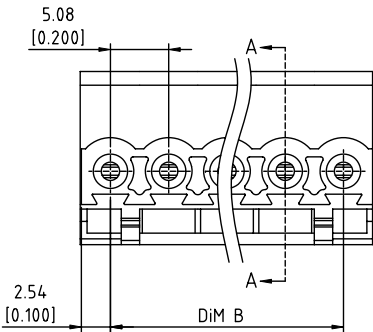
Material		Spec ref	
Mat code		tolerance	projection
Heat treat		✓	MM
Plating/Finish		size	Scale
Dr BEER FU 062509		A4	
Eng BEER FU 062509		Product family	ECN T10-0042
Chr GARY HSIEH 062509		Model Name	REL Level RELEASED
Appr JOSEPH HSIA 062509		Model Revision	
	title	20020006	Rev. D
	terminal BLOCK		
Pro/E file	catalog no	CUSTOMER	sheet 2 of 3

FCI CONFIDENTIAL



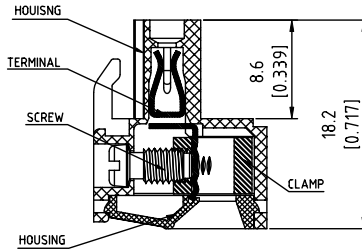
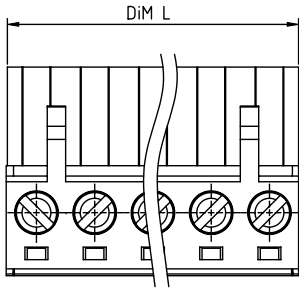
This document is the property of and embodies CONFIDENTIAL and PROPRIETARY information of FCI. No part of the information shown on this document may be used in any way or disclosed to others without the written consent of FCI. Copyright FCI.

PRODUCT NUMBER	SERIES NAME	PITCH
20020006-HXX1B01LF	01-508	5.08 mm

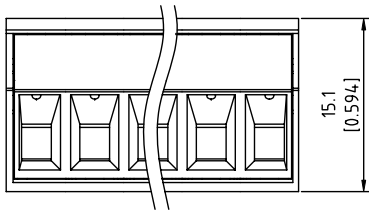


N = Number of poles
 Dim A = $N \times 5.08 [0.200]$
 Dim B = $(N-1) \times 5.08 [0.200]$

TOL.	Dim A	Dim B
	$\pm 0.15 [0.006]$	
	$\pm 0.20 [0.008]$	
	$\pm 0.25 [0.010]$	
	$\pm 0.30 [0.012]$	
	$\pm 0.40 [0.016]$	



SECTION A-A



Material		Spec ref	
Mat code		tolerance	projection
Heattreat		✓	MM
Plating/Finish		size	Scale
Dr	BEER FU 062509	A4	
Eng	BEER FU 062509	Product family	
Chr	GARY HSIEH 062509	Model Name	ECN T10-0042
Appr	JOSEPH HSIA 062509	Model Revision	REL Level RELEASED
	title	dwg no	Rev.
	TERMINAL BLOCK	20020006	D
Pro/E file	catalog no	CUSTOMER	sheet 3 of 3
	Pluggable plug, contact up side		

3 PDM: Rev:D

STATUS: Released

4 Printed: May 08, 2010