

PLEASE CHECK WWW.MOLEX.COM FOR LATEST PART INFORMATION

Part Number: [0022031041](#)
Status: **Active**
Description: 2.50mm (.098") Pitch Header, Single Row, 7.50mm (.295") Mating Pin Length, 4 Circuits

Documents:

3D Model	Product Specification PS-3022-002 (PDF)
Drawing (PDF)	Product Specification PS-99020-0088 (PDF)
Product Specification PS-3022-001 (PDF)	RoHS Certificate of Compliance (PDF)

Agency Certification

UL E29179

General

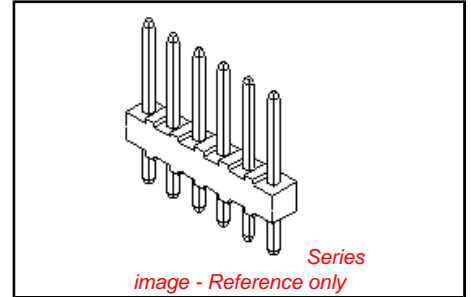
Product Family	PCB Headers
Series	3022
Application	Wire-to-Board
Product Name	N/A

Physical

Breakaway	No
Circuits (Loaded)	4
Circuits (maximum)	4
Color - Resin	Natural (White)
Flammability	94V-0
Glow-Wire Compliant	No
Lock to Mating Part	None
Material - Metal	Brass
Material - Plating Mating	Tin
Material - Plating Termination	Tin
Material - Resin	Nylon
Number of Rows	1
Orientation	Vertical
PC Tail Length (in)	0.134 In
PC Tail Length (mm)	3.40 mm
PCB Locator	No
PCB Retention	None
PCB Thickness Recommended (in)	0.062 In
PCB Thickness Recommended (mm)	1.60 mm
Packaging Type	Bag
Pitch - Mating Interface (in)	0.098 In
Pitch - Mating Interface (mm)	2.50 mm
Plating min: Mating (µin)	200
Plating min: Mating (µm)	5
Plating min: Termination (µin)	200
Plating min: Termination (µm)	5
Polarized to Mating Part	No
Polarized to PCB	No
Shrouded	No
Stackable	No
Temperature Range - Operating	-40°C to +105°C
Termination Interface: Style	Through Hole

Electrical

Current - Maximum per Contact	3A
Voltage - Maximum	250V



EU RoHS

ELV and RoHS Compliant

REACH SVHC

Not Reviewed

Halogen-Free

Status

Halogen-Free

Need more information on product environmental compliance?

Email productcompliance@molex.com
 For a multiple part number RoHS Certificate of Compliance, [click here](#)

Please visit the [Contact Us](#) section for any non-product compliance questions.

China RoHS



Search Parts in this Series

[3022Series](#)

Mates With

[3024](#) , [5224](#)

Solder Process Data

Duration at Max. Process Temperature (seconds)	5
Lead-free Process Capability	Wave Capable (TH only)
Max. Cycles at Max. Process Temperature	1
Process Temperature max. C	230

Material Info

Old Part Number	3022-04A
-----------------	----------

Reference - Drawing Numbers

Product Specification	PS-3022-001, PS-3022-002, PS-99020-0088
Sales Drawing	SD-3022-NA, SDAE-3022-NA-*

This document was generated on 04/15/2010

PLEASE CHECK WWW.MOLEX.COM FOR LATEST PART INFORMATION

8

7

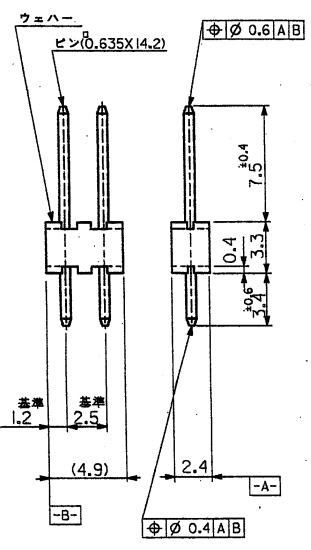
6

5

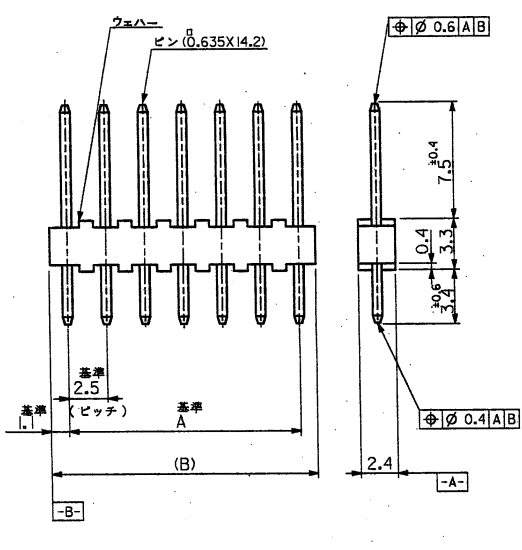
4

3

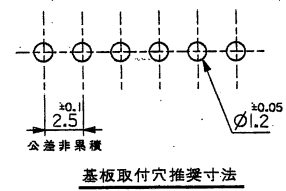
2



2 極



3 極 ~ 20 極



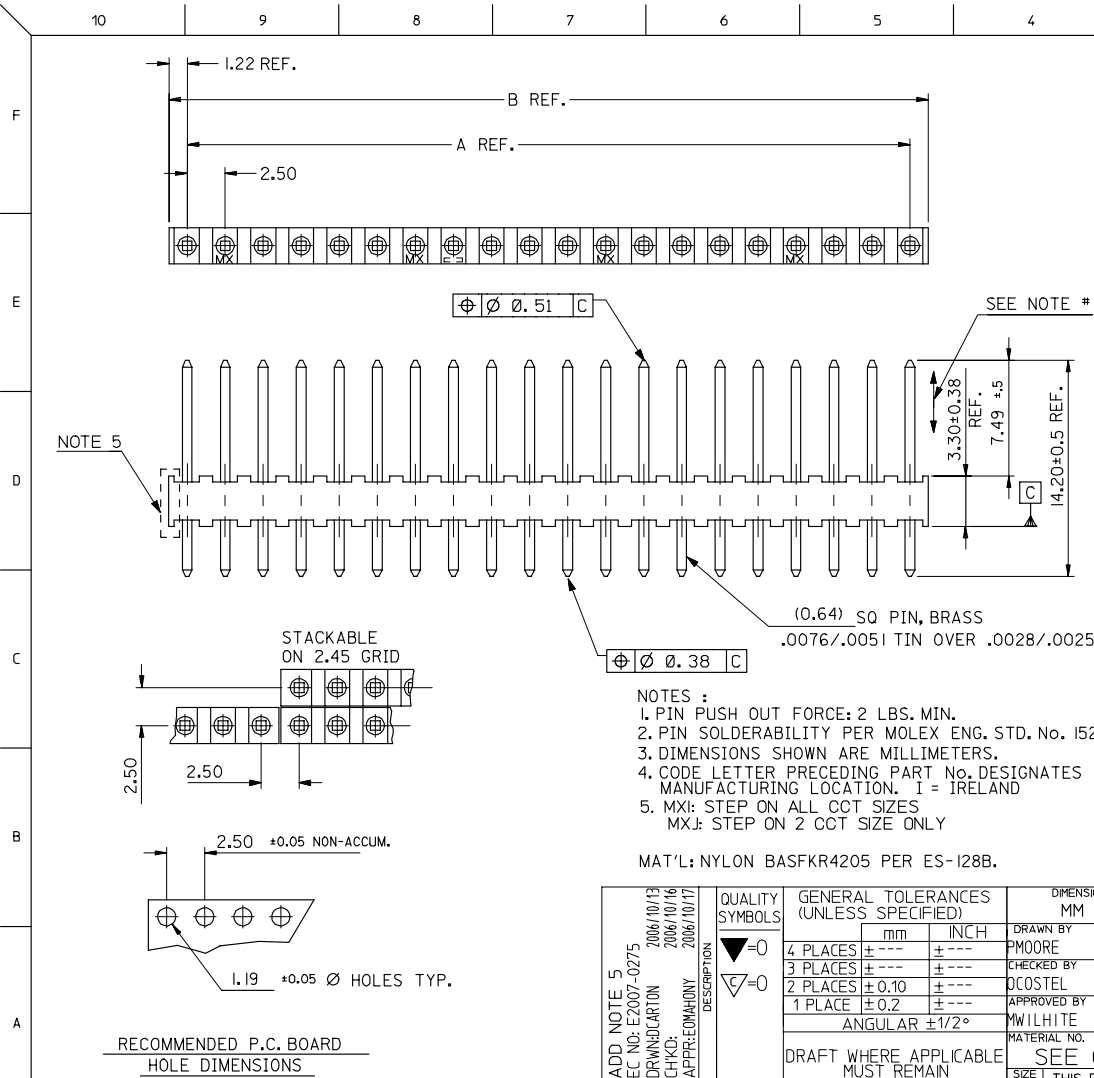
47.5	49.7	22-03 -1201	3022-20A	20
45	47.2	-1191	-19A	19
42.5	44.7	-1181	-18A	18
40	42.2	-1171	-17A	17
37.5	39.7	-1161	-16A	16
35	37.2	-1151	-15A	15
32.5	34.7	-1141	-14A	14
30	32.2	-1131	-13A	13
27.5	29.7	-1121	-12A	12
25	27.2	-1111	-11A	11
22.5	24.7	-1101	-10A	10
20	22.2	-1091	-09A	9
17.5	19.7	-1081	-08A	8
15	17.2	-1071	-07A	7
12.5	14.7	-1061	-06A	6
10	12.2	-1051	-05A	5
7.5	9.7	-1041	-04A	4
5	7.2	-1031	-03A	3
2.5	4.9	22-03 -1021	3022-02A	2
A	(B)	EDP. NO	ENG. NO.	極数

NOTES:

1. ワエハーのソリは、長さ 25.4 mm に対して 0.2 mm MAX.
2. () 内寸法は参考値。

角度 ANGLE	33°	材料 MATERIAL	ワエハー: 66ナイロン, UL94V-0	MOLEX MOLEX-JAPAN CO., LTD.
30 以上 OVER	±0.3	ワエハー: 黄銅, 銅下付銅メッキ	ピン: 黄銅, 銅下付銅メッキ	日本モレックス株式会社
10 以上 OVER	±0.25	仕上げ FINISH	—	EDP. NO.
10 未満 UNDER	±0.2	適用電線範囲 WIRE RANGE	—	22 - 03 - 1**1
一般公差 GENERAL TOLERANCES		装置外径 INS. RANGE	—	ENG. NO.
		REVISION RECORD		SD -3022-NA
		REVISED BY		REV N
		DATE		SCALE 4 - 1
		CHK'D BY		TITLE 名称
		APP'D BY		KK 2.5 WAFER ASS'Y

THIS DRAWING CONTAINS INFORMATION THAT IS PROPRIETARY TO MOLEX/JAPAN AND SHOULD NOT BE USED WITHOUT WRITTEN PERMISSION
 本図面は日本モレックス(株)の所有する情報を含むもので、無断の許可なく複製を禁止する。



10	9	8	7	6	5	4	3	2	1		
							NOT TOOLED	AE-3022-25A	25	60.0	62.4
							22-03-1221	AE-3022-22A	22	52.5	54.9
							22-03-1211	21A	21	50.0	52.4
							22-03-1201	20A	20	47.5	49.9
							-1191	19A	19	45.0	47.4
							-1181	18A	18	42.5	44.9
							-1171	17A	17	40.0	42.4
							-1161	16A	16	37.5	39.9
							-1151	15A	15	35.0	37.4
							-1141	14A	14	32.5	34.9
							-1131	13A	13	30.0	32.4
							-1121	12A	12	27.5	29.9
							-1111	11A	11	25.0	27.4
							-1101	10A	10	22.5	24.9
							-1091	9A	9	20.0	22.4
							-1081	8A	8	17.5	19.9
							-1071	7A	7	15.0	17.4
							-1061	6A	6	12.5	14.9
							-1051	5A	5	10.0	12.4
							-1041	4A	4	7.5	9.9
							-1031	3A	3	5.0	7.4
							22-03-1021	AE-3022 -2A	2	2.5	4.9
							PART No.	ENG. No.	No OF CKTS.	DIM. A	DIM. B

ADD NOTE 5 EC NO: E2007-0275 DRAWN/CARTON CHKD: APPR: EDMAHONY 2006/10/13 2006/10/16 2006/10/17	QUALITY SYMBOLS ▽=0 ▽=0	GENERAL TOLERANCES (UNLESS SPECIFIED)	DIMENSION STYLE		SCALE	DESIGN UNITS	THIRD ANGLE PROJECTION
			MM ONLY	INCH			
			DRAWN BY	DATE	TITLE	MOLEX	SDAE-3022-NA-*
			PMOORE	1998/01/10			
			CHECKED BY	DATE	DOCUMENT NO.	SHEET NO.	1 OF 3
			DCOSTEL	1998/04/08			
			APPROVED BY	DATE	INCORPORATED AND SHOULD NOT BE USED WITHOUT WRITTEN PERMISSION		
			MWILHITE	1998/04/08			
			MATERIAL NO.				
			SIZE				
			A3				