

FCI CONFIDENTIAL



This document is the property of and embodies CONFIDENTIAL and PROPRIETARY information of FCI. No part of the information shown on this document may be used in any way or disclosed to others without the written consent of FCI. Copyright FCI.

PRODUCT NUMBER  
20020004-XXX1B01LF

20020004 - [ ] [ ] [ ] 1 B 0 1 LF

PITCH  
C: 3.50 mm  
D: 3.81 mm

POLES  
02: 2 poles  
03: 3 poles  
04: 4 poles  
24: 24 poles

LF: DENOTED RoHS COMPATIBLE

PROPERTY TABLE		
FCI SERIES NAME	01-350	01-381
PITCH (mm)	3.50	3.81
VOLTAGE RATING (VAC)	300	300
CURRENT RATING (A)	10	10
APPLICABLE WIRE RANGE (AWG)	16~26	16~26
WIRE CROSS SECTION (mm*mm)	1.5~0.2	1.5~0.2
WIRE STRIP LENGTH(mm)	6~7	6~7
TORQUE +/- 10% (N-m/Lb-in)	0.23/2.0	0.23/2.0
SCREW	M2x0.4	M2x0.4
WITHSTANDING VOLTAGE (kV)	1.6	1.6
OPERATING TEMP. (°C)	-40~+115	-40~+115
POLES AVAILABLE	02~24	02~24
SAFETY CERTIFICATE		

- NOTES:
- MATERIALS
    - 1-1 HOUSING: THERMALPLASTIC RESIN, UL 94V-0 RATED, COLOR GREEN.
    - 1-2 SCREW: STEEL, ZINC PLATED.
    - 1-3 CLAMP: BRASS, NICKEL PLATED.
    - 1-4 TERMINAL: PHOSPHOROUS BRONZES, TIN PLATED.
  - PRODUCT SPECIFICATION REFER TO FCI GS-12-625.
  - BOXED PACKAGING, DETAILED PRODUCT PACKING SPECIFICATION REFER TO FCI GS-14-1394.
  - FCI, SAFETY CERTIFICATE LOGO AND SERIES NAME TO BE SHOWN ON PRODUCT SURFACE.
  - THE PRODUCTS WHERE THE PART NUMBER END IN "LF" MEET THE EUROPEAN UNION DIRECTIVE AND OTHER COUNTRY REGULATIONS AS DESCRIBED IN GS-22-008.

TOLERANCES UNLESS OTHERWISE SPECIFIED				rev	ecn no	dr	date
LINEAR	X	±0.5	-	A	0609-0203	BF	062509
	XX	±0.30	-	B	T09-1148	BF	111709
	XXX	±0.10	-	C	T09-1152	BF	112609
ANGULAR	X'	±1'	-	D	T10-0042	WL	030310

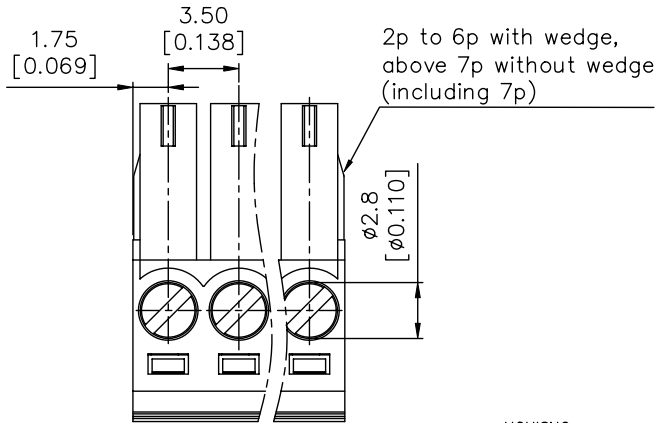
Material	Spec ref *		
Mat code	tolerance	projection	MM
Heattreat	✓		← →
Plating/Finish	size	A4	Scale
Dr BEER FU 062509	Product family		REL Level
Eng BEER FU 062509	Model Name		T10-0042
Chr GARY HSIEH 062509	Model Revision		RELEASED
Appr JOSEPH HSIA 062509	REL Level		RELEASED
	title	20020004	Rev. D
Pro/E file	catalog no	CUSTOMER	sheet 1 of 3
TERMINAL BLOCK		PLUGGABLE PLUG, SINGAL, W/O FLANGE	

FCI CONFIDENTIAL



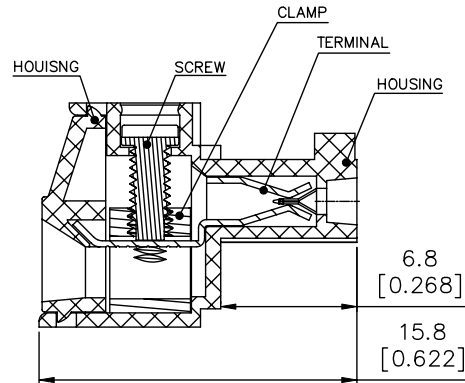
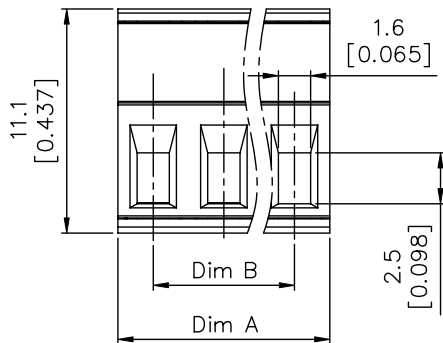
This document is the property of and embodies CONFIDENTIAL and PROPRIETARY information of FCI. No part of the information shown on this document may be used in any way or disclosed to others without the written consent of FCI. Copyright FCI.

PRODUCT NUMBER	SERIES NAME	PITCH
20020004-CXX1B01LF	01-350	3.50 mm



N = Number of poles  
 Dim A =  $N \times 3.5 [0.138]$   
 Dim B =  $(N-1) \times 3.5 [0.138]$

TOL.	Dim A	Dim B
2-6p	$\pm 0.15 [0.006]$	
7-12p	$\pm 0.20 [0.008]$	
13-18p	$\pm 0.25 [0.010]$	
19-24p	$\pm 0.30 [0.012]$	



Material			Spec ref	
Mat code		tolerance	projection	MM
Heattreat				
Plating/Finish			size	Scale
Dr	BEER FU 062509	Product family	A4	
Eng	GARY HSIEH 062509	Model Name	ECN	T10-0042
Appr	JOSEPH HSIA 062509	Model Revision	REL Level	RELEASED
FCI	title	20020004	Rev.	D
Pro/E file	catalog no	CUSTOMER	sheet 2 of 3	

3 PDM: Rev:D

STATUS Released

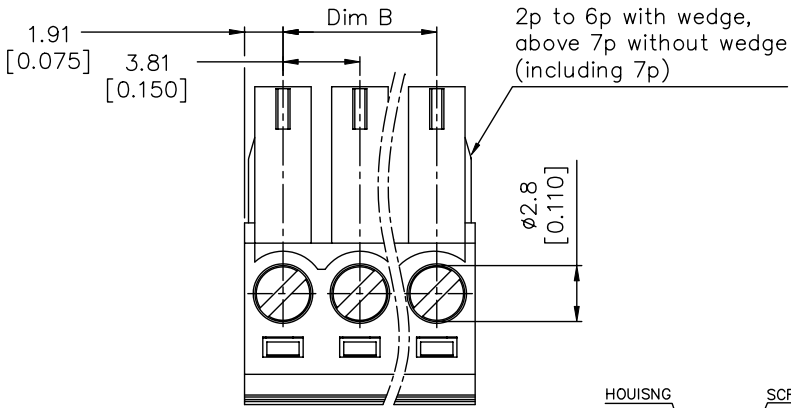
4 Printed: Jul 21, 2010

FCI CONFIDENTIAL



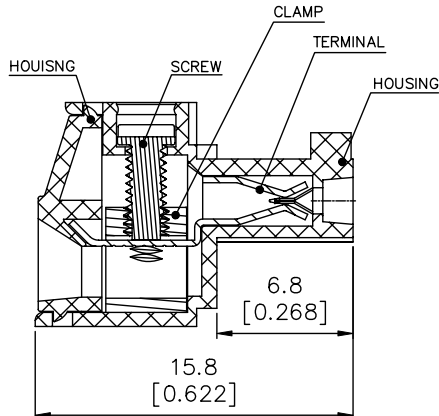
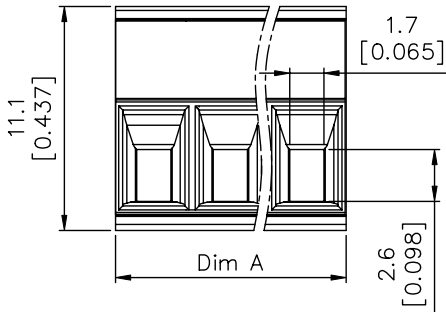
This document is the property of and embodies CONFIDENTIAL and PROPRIETARY information of FCI. No part of the information shown on this document may be used in any way or disclosed to others without the written consent of FCI. Copyright FCI.

PRODUCT NUMBER	SERIES NAME	PITCH
20020004-DXX1B01LF	01-381	3.81 mm



N = Number of poles  
 Dim A =  $N \times 3.81$  [0.150]  
 Dim B =  $(N-1) \times 3.81$  [0.150]

TOL.	Dim A	Dim B
2-6p	$\pm 0.15$ [0.006]	
7-12p	$\pm 0.20$ [0.008]	
13-18p	$\pm 0.25$ [0.010]	
19-24p	$\pm 0.30$ [0.012]	



Material		Spec ref	
Mat code		tolerance	projection
Heat treat		<input checked="" type="checkbox"/>	<input checked="" type="checkbox"/> MM
Plating/Finish			size A4 Scale
Dr BEER FU 062509	Product family	Model Name	ECN T10-0042
Eng GARY HSIEH 062509	Model Revision	REL Level	RELEASED
Appr JOSEPH HSIA 062509			
title	TERMINAL BLOCK	dwg no	20020004
Pro/E file	catalog no	CUSTOMER	sheet 3 of 3
	PLUGGABLE PLUG, SINGAL, W/O FLANGE		Rev. D