

2.00mm (0.079") PITCH CONNECTOR

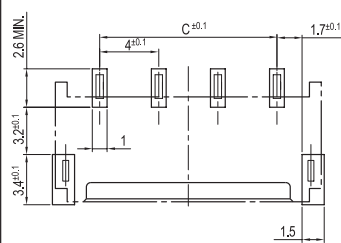
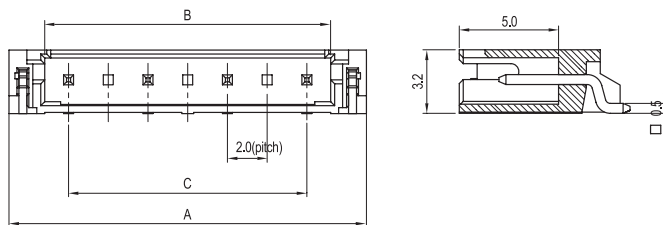
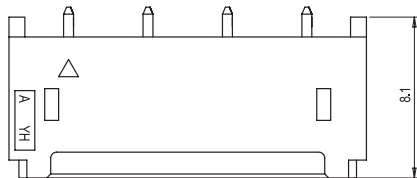
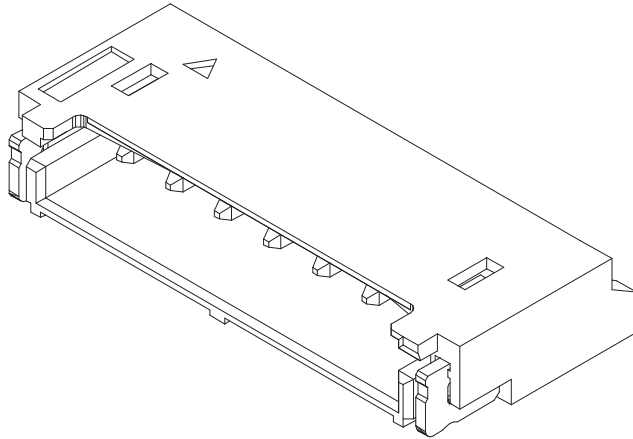


Wire-to-Board
Wafer

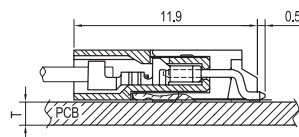
20015WR Series

SMT

Right Angle



PCB LAYOUT



PCB ASS'Y

Material

I/NO	DESCRIPTION	TITLE	MATERIAL
1	WAFER	20015WR	PA6T or PA46, UL 94V Grade
2	PIN		BRASS & Tin Plated
3	HOOK	20015LR	BRASS & Tin Plated

Available Pin

PARTS NO.	A	B	C	Selective voids available Pin
20015WR-03A00	10.0	6.4	4.0	2
20015WR-05A00	14.0	10.4	8.0	2,3,4
20015WR-07A01	18.0	14.4	12.0	2,3,4,5,6
20015WR-05A01	14.0	10.4	8.0	2,4
20015WR-07A02	18.0	14.4	12.0	2,4,5,6
20015WR-07A00	18.0	14.4	12.0	2,4,6
20015WR-09A00	22.0	18.4	16.0	2,4,5,6,8
20015WR-09A01	22.0	18.4	16.0	2,4,6,8

Specification

ITEM	SPEC
Voltage Rating	AC/DC 600V
Current Rating	AC/DC 1A
Operating Temperature	-25°C~+85°C
Contact Resistance	30mΩ MAX
Withstanding Voltage	AC1800V/1min
Insulation Resistance	1000MΩ MIN
Applicable Wire	-
Applicable P.C.B	0.8~1.6mm
Applicable FPC/FFC	-
Solder Height	0.15mm
Crimp Tensile Strength	-
UL FILE NO	E108706