

PLEASE CHECK WWW.MOLEX.COM FOR LATEST PART INFORMATION

Part Number: [0351980801](#)
Status: **Active**
Description: 1.27mm (.050") Tab Multiple Wire-to-Board Female Housing, 2.50mm (.098") Pitch, 8 Circuits

Documents:

[Drawing \(PDF\)](#) [Product Specification PS-35519-001 \(PDF\)](#)
[Product Specification PS-35339-001 \(PDF\)](#) [RoHS Certificate of Compliance \(PDF\)](#)

General

Product Family Crimp Housings
 Series 35198
 Product Name N/A

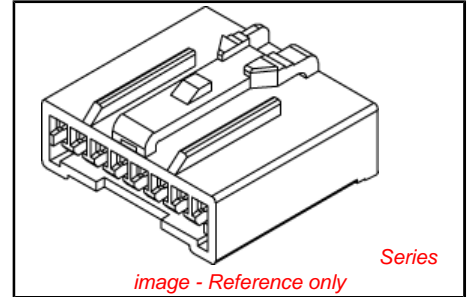
Physical

Circuits (maximum) 8
 Color - Resin Black
 Gender Female
 Glow-Wire Compliant No
 Material - Resin Polyester
 Number of Rows 1
 Packaging Type Bag
 Panel Mount No
 Pitch - Mating Interface (in) 0.098 In
 Pitch - Mating Interface (mm) 2.50 mm
 Temperature Range - Operating -40°C to +120°C

Material Info

Reference - Drawing Numbers

Product Specification PS-35339-001, PS-35519-001
 Sales Drawing SD-35198-001

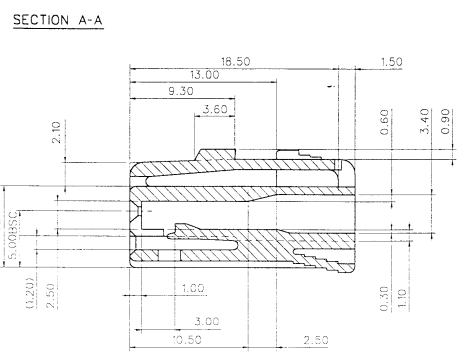
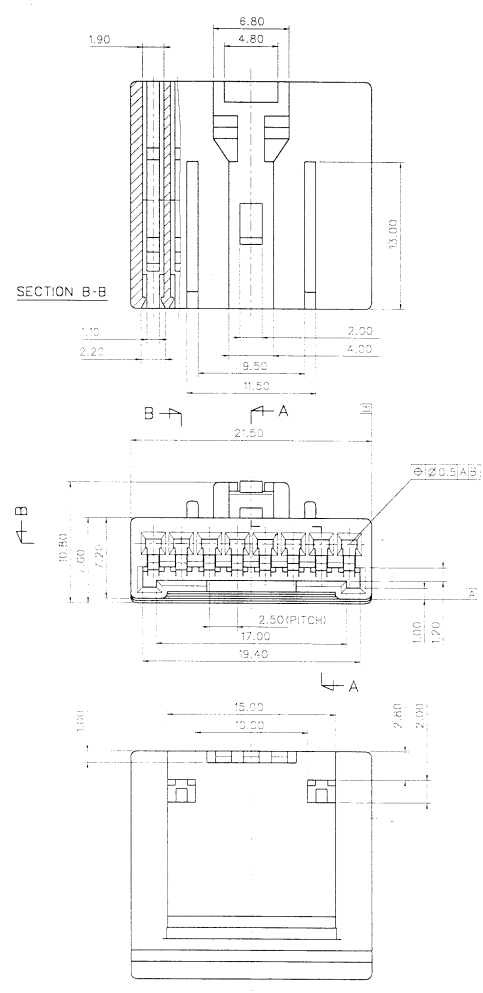


<p>EU RoHS ELV and RoHS Compliant REACH SVHC Not Reviewed Halogen-Free Status Halogen-Free</p>	<p>China RoHS</p> 
<p>Need more information on product environmental compliance?</p> <p>Email productcompliance@molex.com For a multiple part number RoHS Certificate of Compliance, click here</p> <p>Please visit the Contact Us section for any non-product compliance questions.</p>	

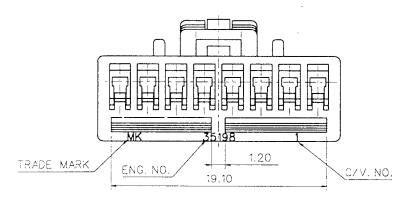
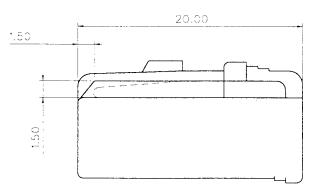
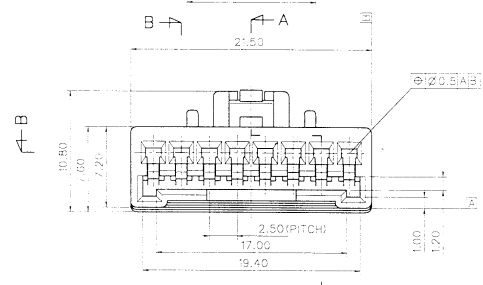
<p>Search Parts in this Series 35198Series</p>
<p>Mates With 35339</p>
<p>Use With 50418</p>

PLEASE CHECK WWW.MOLEX.COM FOR LATEST PART INFORMATION

PROJECT NO. SIMILAR ITEM EDP NO. ENG. NO. S035198-0801



NOTE
 1. MATERIAL: PBT
 COLOR: BLACK
 4. APPLICABLE TERMINAL: 50418-6*00



MATERIAL		SEE NOTE	MOLEX VOLEX-KOREA CO., LTD.	
GENERAL TOLERANCE		±0.30	DRAWN BY	CHK'D BY
ANGLE			RHO. 95.10.31	b. K. Choi
DIMENSION CLASSIFICATION		REFERENCE	APPRO. BY	SCALE
A NEW RELEASE		95-19 95-10-25		3/1
LTR. REVISION RECORD EON		DATE	ASSY PART	DESCRIPTION
REVISE ONLY ON CAD SYSTEM			550 W/B FEMALE H50 8P	
ENG. NO.		S035198-0801	ENG. NO.	S035198-0801

THIS DRAWING CONTAINS INFORMATION THAT IS PROPRIETARY TO MOLEX/KOREA AND SHOULD NOT BE USED WITHOUT WRITTEN PERMISSION.
 MX-A3(ANSI:290,420)