

2.0mm DUAL ROW HEADER

STRAIGHT P.C.B. MOUNT TYPE

2.0
mm

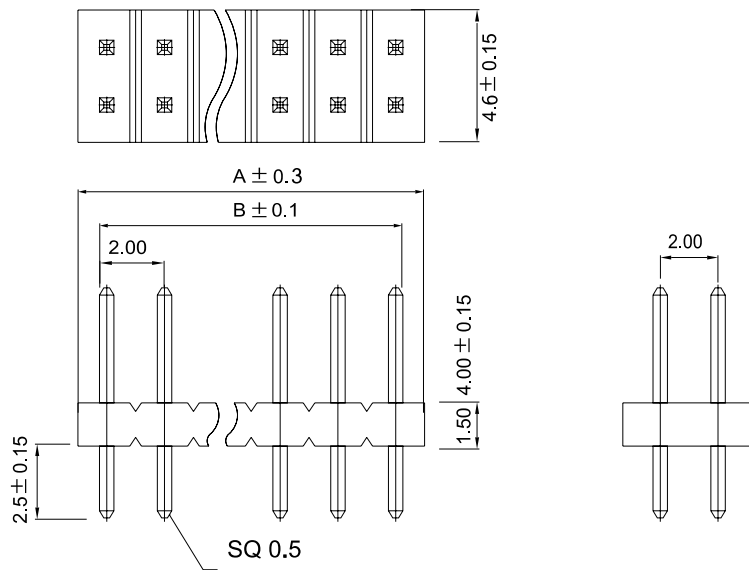


200112MS Series

Mates With *SUYIN200124, 200132, 200133, 200135, 200136, 200248, 200188 Series*

Specifications:

- **4-80 Circuits**
- **Insulator Material** : Black High Temp . Plastic
- **Operating Temp.Range** : -40°C to +105°C
- **Terminal Material** : Brass 65/35
- **Plating** : Contact-Selective Gold Plated
or Full Gold Plated
- **Max. Current Rating** : 1.5A
- **Voltage Rating** : 150V AC
- **Dielectric Strength** : 500V (Min. 60 Seconds)



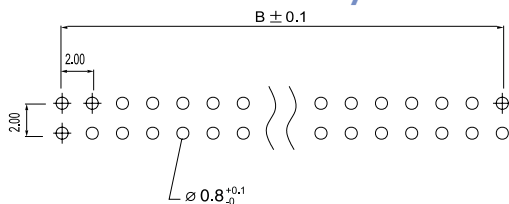
Order Information

200112MS□□□□□00ZU
1 2 3 4 5

1. 'S' : Straight DIP Type
 2. No. of Pins
 3. Plating
 4. Color 'Z' : Black
 5. Package
- 'U' : Tube Package Without CAP

Reference Page 11

Recommended P.C.B Layout



Dimensional Information

SUYIN P/NO.	DIM.A	DIM.B	SUYIN P/NO.	DIM.A	DIM.B
200112MS004□□00ZU	4.3	2.0	200112MS030□□00ZU	30.3	28.0
200112MS006□□00ZU	6.3	4.0	200112MS034□□00ZU	34.3	32.0
200112MS008□□00ZU	8.3	6.0	200112MS040□□00ZU	40.3	38.0
200112MS010□□00ZU	10.3	8.0	200112MS044□□00ZU	44.3	42.0
200112MS012□□00ZU	12.3	10.0	200112MS050□□00ZU	50.3	48.0
200112MS014□□00ZU	14.3	12.0	200112MS060□□00ZU	60.3	58.0
200112MS016□□00ZU	16.3	14.0	200112MS064□□00ZU	64.3	62.0
200112MS020□□00ZU	20.3	18.0	200112MS068□□00ZU	68.3	66.0
200112MS024□□00ZU	24.3	22.0	200112MS070□□00ZU	70.3	68.0
200112MS026□□00ZU	26.3	24.0	200112MS080□□00ZU	80.3	78.0