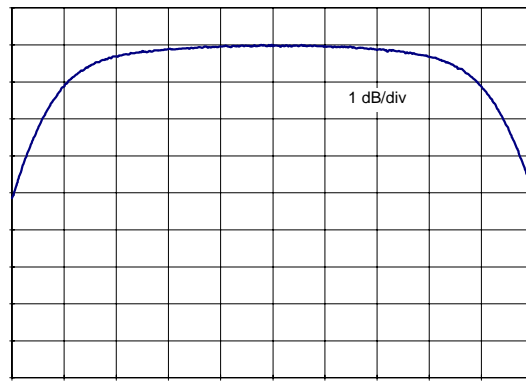


Bandpass Filter

KR 2037-1

KR Model 2037-1 be scaled to other center frequencies to meet your requirements.

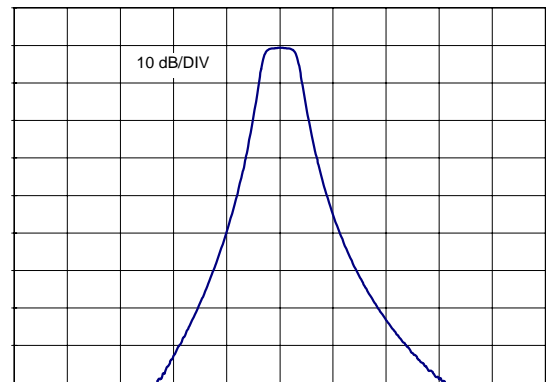
Passband Amplitude



19.168 KHz

20.868 KHz

Overall Amplitude



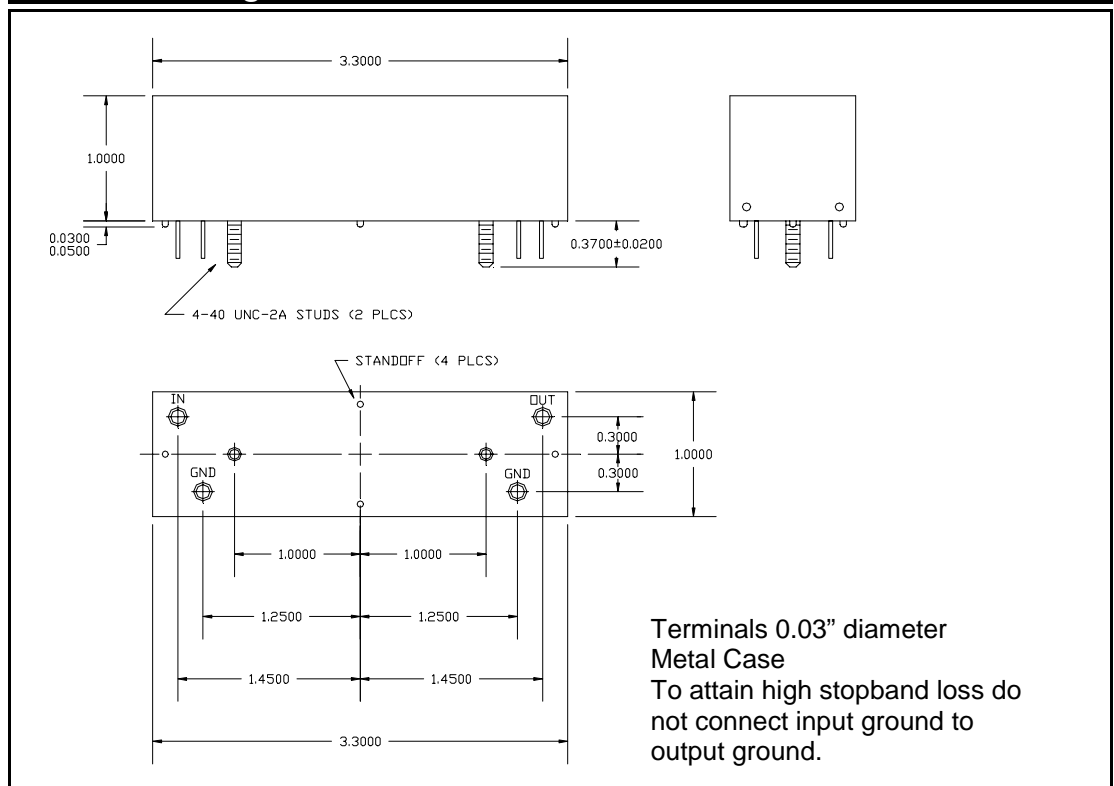
7.5 KHz

32.5 KHz

Specifications

KR Part Number	2037-1
Filter Type	Bandpass
Insertion Loss	< 3 dB
Center Frequency	20 KHz
3 dB Bandwidth	1500 Hz Min / 1700 Hz Max
Loss at 10 KHz	> 90 dB
Loss at 30 KHz	> 90 dB
Source and Load Impedance	2000 Ω

Outline Drawing



Terminals 0.03" diameter
Metal Case
To attain high stopband loss do not connect input ground to output ground.

KR Electronics
www.krfilters.com
91 Avenel Street
Avenel, NJ 07001
732-636-1900