



ZIF PGA Test & Burn-in Socket for Any Footprint on Std 13x13 to 21x21 Grid

FEATURES

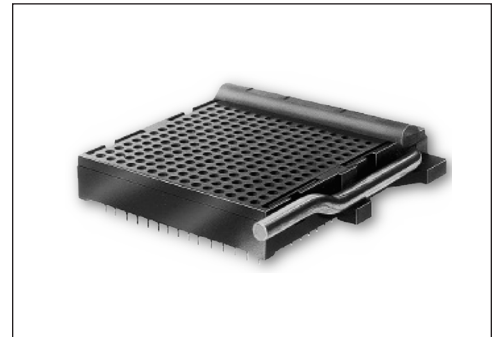
- A strong, metal cam activates the normally closed contacts, preventing dependency on plastic for contact force
- The handle can be provided on right or left hand side
- Consult factory for special handle requirements
- Any footprint accepted on standard 13x13 to 21x21 grid

GENERAL SPECIFICATIONS

- SOCKET BODY: black UL 94V-0 Polyphenylene Sulfide (PPS)
- CONTACTS: BeCu 174, 1/2-hard **or** NiB (Spinodal)
- BeCu CONTACT PLATING OPTIONS: "2" 30μ [0.762μ] min. Au per MIL-G-45204 on contact area, 200μ [5.08μ] min. matte Sn per ASTM B545-97 on solder tail, both over 30μ [0.762μ] min. Ni per QQ-N-290 all over. Consult factory for other plating options not shown
- SPINODAL PLATING CONTACT ONLY: "6": 50μ [1.27μ] min. NiB
- HANDLE: Stainless Steel
- CONTACT CURRENT RATING: 1 amp
- OPERATING TEMPERATURES: -85°F to 257°F [-65°C to 125°C] Au plating, -85°F to 392°F [-65°C to 200°C] NiB (Spinodal)
- ACCEPTS LEADS: 0.014-0.026 [0.36-0.66] dia., 0.120-0.290 [3.05-7.37] long

MOUNTING CONSIDERATIONS

- SUGGESTED PCB HOLE SIZE: 0.032 ±0.002 [0.81 ±0.05] dia.
- See PCB footprint below
- Plugs into standard PGA sockets



CUSTOMIZATION: In addition to the standard products shown on this page, Aries specializes in custom design and production. Special materials, platings, sizes, and configurations can be furnished, depending on the quantity. **NOTE:** Aries reserves the right to change product general specifications without notice.

ORDERING INFORMATION

XXX-PXX XXXXX-1 X

No. of Pins
Series Designator
PRS = Std
PLS = Handle of Left
Grid Size & Footprint No.

Plating

2 = Au Contacts, Sn over Nic Tail
6 = NiB (spinodal) Pin Only

CONSULT FACTORY FOR MINIMUM ORDERING QUANTITY AS WELL AS AVAILABILITY OF THIS PIN

Solder Pin Tail

Grid Size	No. of Pins	Dim. "C"	Dim. "A"	Dim. "B"	Dim. "D"
12 x 12*	144	1.100 [27.94]	1.894 [48.10]	1.510 [38.35]	1.675 [42.54]
13 x 13	169	1.200 [30.48]			
14 x 14*	196	1.300 [33.02]	2.094 [53.20]	1.710 [43.43]	1.875 [47.62]
15 x 15	225	1.400 [35.56]			
16 x 16*	256	1.500 [38.10]	2.294 [58.26]	1.910 [48.51]	2.075 [52.70]
17 x 17	289	1.600 [40.64]			
18 x 18*	324	1.700 [43.18]	2.494 [63.34]	2.110 [53.59]	2.275 [57.78]
19 x 19	361	1.800 [45.72]			
20 x 20*	400	1.900 [48.26]	2.694 [68.42]	2.310 [58.67]	2.475 [62.86]
21 x 21	441	2.000 [50.80]			

* Top and Right-hand Side Row left out



Bristol, PA 19007-6810 USA
TEL (215) 781-9956 • FAX (215) 781-9845
WWW.ARIESELEC.COM • INFO@ARIESELEC.COM

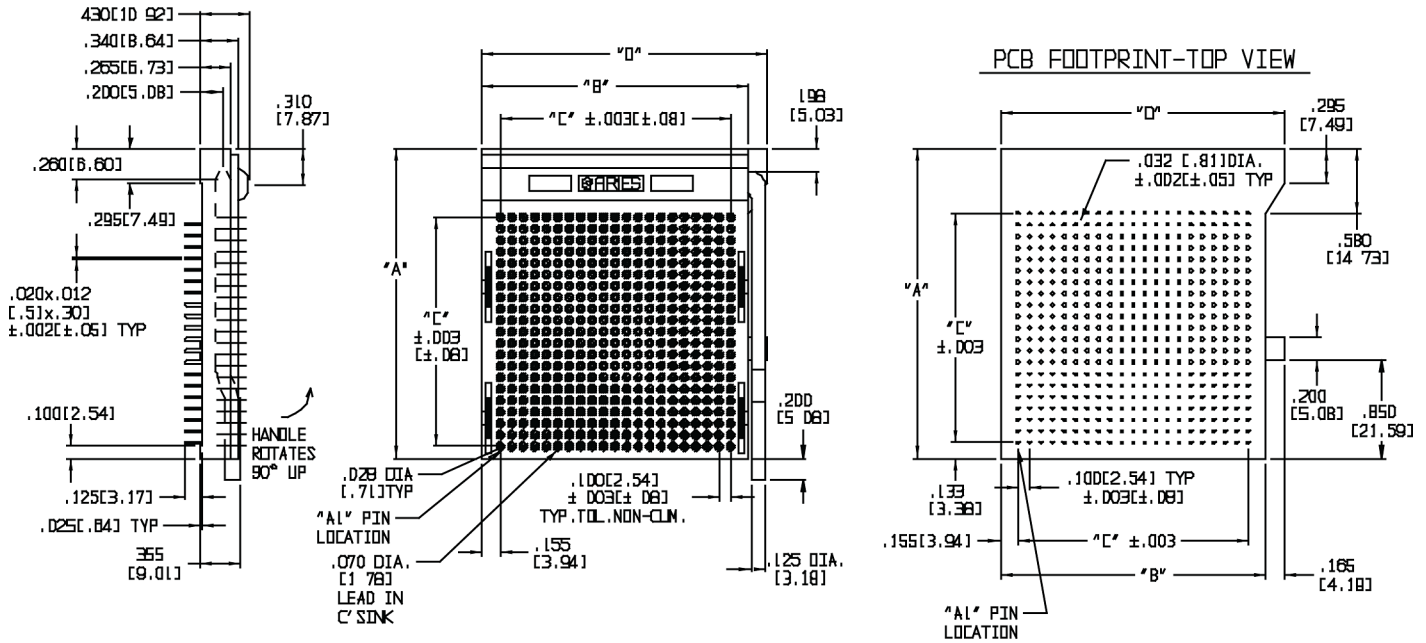


10004
Rev. AB
1 of 2

PRINTOUTS OF THIS DOCUMENT MAY BE OUT OF DATE AND SHOULD BE CONSIDERED UNCONTROLLED



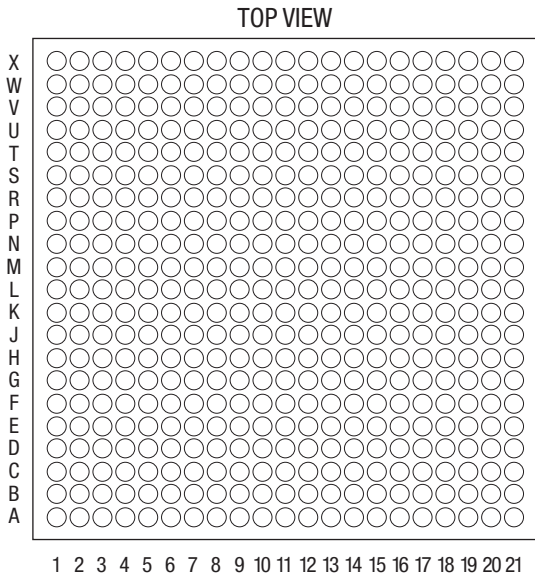
ZIF PGA Test & Burn-in Socket for Any Footprint on Std 13x13 to 21x21 Grid



ALL DIMENSIONS: INCHES [MILLIMETERS]
 ALL TOLERANCES: ±0.005 [0.13] UNLESS OTHERWISE SPECIFIED
 CONSULT FACTORY FOR OTHER SIZES AND CONFIGURATIONS

SPECIAL FOOTPRINT INSTRUCTIONS

1. Make a copy of this sheet
2. Fill-in circles for footprint desired using the key below
3. Fill-in the information below, including Series and Plating options. See Ordering Information above
4. Send sheet to Aries for prompt quote



KEY ○ = no pin
 ● = pin
 x = plug hole

COMPANY NAME _____
 ADDRESS _____
 CITY _____
 REQUESTED BY _____
 PHONE _____
 DATE _____
 TOTAL NUMBER OF PINS _____
 SERIES (circle one) PRS PLS
 PLATING (circle one) 2



Bristol, PA 19007-6810 USA
 TEL (215) 781-9956 • FAX (215) 781-9845
 WWW.ARIESELEC.COM • INFO@ARIESELEC.COM



10004
 Rev. AB
 2 of 2

PRINTOUTS OF THIS DOCUMENT MAY BE OUT OF DATE AND SHOULD BE CONSIDERED UNCONTROLLED