

# LS4D28 Series Surface Mount Power Inductors



## Features

- Will Handle Up To 2.56A
- Economical Design
- Suitable For Pick And Place
- Withstands Solder Reflow
- Shielded Design

## Applications

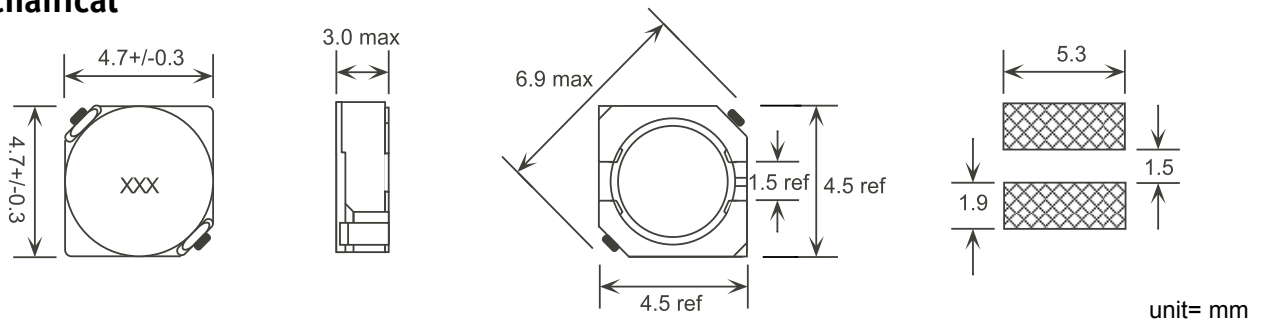
- Handheld And PDA Applications
- DC/DC Converters
- Output Power Chokes
- Battery Powered Or Low Voltage Applications

## Packaging

- Reel Diameter: 330mm
- Reel Width: 12.3mm
- Pieces Per Reel: 2000



## Mechanical



## Electrical Specifications

Part <sup>6</sup> Number	Inductance <sup>1</sup> ( $\mu$ H)	Test Frequency (kHz)	DCR max ( $\Omega$ )	$I_{DC}$ max <sup>2</sup> (A)
LS4D28-1R2-RN	1.2	100	0.0236	2.56
LS4D28-1R8-RN	1.8	100	0.0275	2.20
LS4D28-2R2-RN	2.2	100	0.0313	2.04
LS4D28-2R7-RN	2.7	100	0.0433	1.60
LS4D28-3R3-RN	3.3	100	0.0492	1.57
LS4D28-3R9-RN	3.9	100	0.0648	1.44
LS4D28-4R7-RN	4.7	100	0.0720	1.32
LS4D28-5R6-RN	5.6	100	0.1009	1.17
LS4D28-6R8-RN	6.8	100	0.1089	1.12
LS4D28-8R2-RN	8.2	100	0.1175	1.04
LS4D28-100-RN	10	100	0.1283	1.00
LS4D28-120-RN	12	100	0.1316	0.84
LS4D28-150-RN	15	100	0.1490	0.76
LS4D28-180-RN	18	100	0.1660	0.72
LS4D28-220-RN	22	100	0.2350	0.70
LS4D28-270-RN	27	100	0.2610	0.58
LS4D28-330-RN	33	100	0.3780	0.56
LS4D28-390-RN	39	100	0.3837	0.50
LS4D28-470-RN	47	100	0.5870	0.48
LS4D28-560-RN	56	100	0.6245	0.41
LS4D28-680-RN	68	100	0.6990	0.35
LS4D28-820-RN	82	100	0.9148	0.32
LS4D28-101-RN	100	100	1.020	0.29
LS4D28-121-RN	120	100	1.270	0.27
LS4D28-151-RN	150	100	1.350	0.24
LS4D28-181-RN	180	100	1.540	0.22
LS4D28-221-RN	220	100	1.720	0.20
LS4D28-271-RN	270	100	1.950	0.16
LS4D28-331-RN	330	100	2.660	0.14
LS4D28-391-RN	390	100	2.830	0.13

1. Tested @ 100kHz, 0.1Vrms.
2. Inductance drop = 35% at rated  $I_{DC}$  max.
3. Electrical specifications at 25°C.
4. Operating temperature range:  
-40°C to +85°C.
5. Meets UL 94V-0.
6. Optional Tolerances: 10%(K), 15%(L),  
and 20%(M).