



**W49F002U**

## **256K × 8 CMOS FLASH MEMORY**

### **GENERAL DESCRIPTION**

The W49F002U is a 2-megabit, 5-volt only CMOS flash memory organized as 256K × 8 bits. The device can be programmed and erased in-system with a standard 5V power supply. A 12-volt VPP is not required. The unique cell architecture of the W49F002U results in fast program/erase operations with extremely low current consumption (compared to other comparable 5-volt flash memory products). The device can also be programmed and erased using standard EPROM programmers.

### **FEATURES**

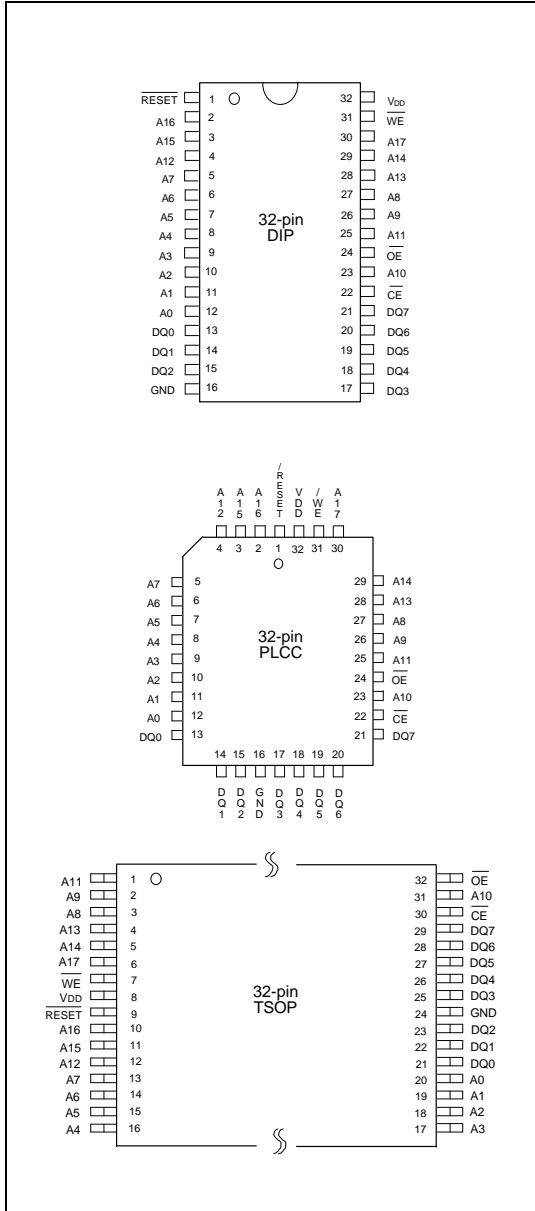
- Single 5-volt operations:
  - 5-volt Read
  - 5-volt Erase
  - 5-volt Program
- Fast Program operation:
  - Byte-by-Byte programming: 35 μS (typ.)
- Fast Erase operation: 100 mS (typ.)
- Fast Read access time: 70/90/120 nS
- Endurance: 10K cycles (typ.)
- Ten-year data retention
- Hardware data protection
- One 16K byte Boot Block with Lockout protection
- Two 8K byte Parameter Blocks
- Two Main Memory Blocks (96K, 128K) Bytes
- Low power consumption
  - Active current: 25 mA (typ.)
  - Standby current: 20 μA (typ.)
- Automatic program and erase timing with internal VPP generation
- End of program or erase detection
  - Toggle bit
  - Data polling
- Latched address and data
- TTL compatible I/O
- JEDEC standard byte-wide pinouts
- Available packages: 32-pin DIP and 32-pin TSOP and 32-pin-PLCC

*Publication Release Date: April 2000*

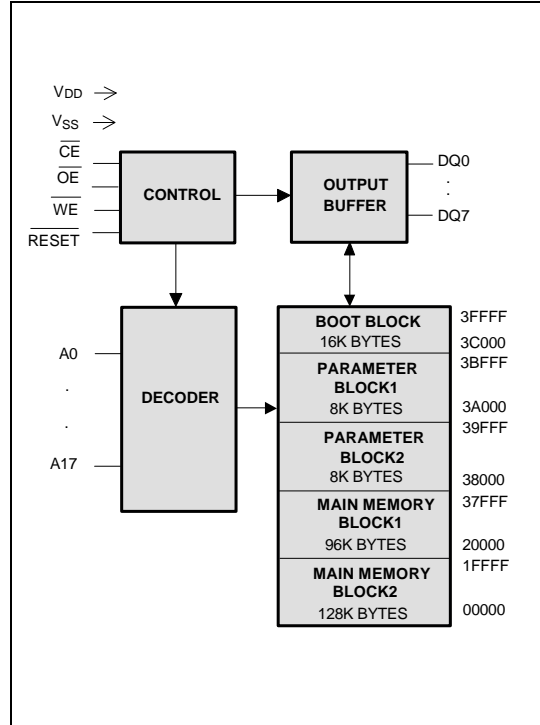
*Revision A2*



## PIN CONFIGURATIONS



## BLOCK DIAGRAM



## PIN DESCRIPTION

SYMBOL	PIN NAME
$\overline{RESET}$	Reset
A0-A17	Address Inputs
DQ0-DQ7	Data Inputs/Outputs
$\overline{CE}$	Chip Enable
$\overline{OE}$	Output Enable
$\overline{WE}$	Write Enable
VDD	Power Supply
GND	Ground



## FUNCTIONAL DESCRIPTION

### Read Mode

The read operation of the W49F002U is controlled by  $\overline{CE}$  and  $\overline{OE}$ , both of which have to be low for the host to obtain data from the outputs.  $\overline{CE}$  is used for device selection. When  $\overline{CE}$  is high, the chip is de-selected and only standby power will be consumed.  $\overline{OE}$  is the output control and is used to gate data from the output pins. The data bus is in high impedance state when either  $\overline{CE}$  or  $\overline{OE}$  is high. Refer to the timing waveforms for further details.

### Reset Operation

The reset input pin can be used in some application. When  $\overline{RESET}$  pin is at high state, the device is in normal operation mode. When  $\overline{RESET}$  pin is at low state, it will halts the device and all outputs are at high impedance state. As the high state re-asserted to the  $\overline{RESET}$  pin, the device will return to read or standby mode, it depends on the control signals. When the system drives the  $\overline{RESET}$  pin low for at least a period of 500 nS, the device immediately terminates any operation in progress duration of the  $\overline{RESET}$  pulse. The other function for  $\overline{RESET}$  pin is temporary reset the boot block. By applying the 12V to  $\overline{RESET}$  pin, the boot block can be reprogrammed even though the boot block lockout function is enabled.

### Boot Block Operation

There is one 16K-byte boot block in this device, which can be used to store boot code. It is located in the last 16K bytes with the address range of the boot block is 3C000(hex) to 3FFFF(hex). See Command Code sequence for Boot Block Lockout Enable for the specific code. Once this feature is set the data for the designated block cannot be erased or programmed (programming lockout); other memory locations can be changed with the regular programming method. Once the boot block programming lockout feature is activated, the chip erase function can no longer erase the boot block.

There is one condition that the lockout feature can be overridden. Just apply 12V to  $\overline{RESET}$  pin, the lockout feature will temporarily be inactivated and the block can be erased/programmed. Once the  $\overline{RESET}$  pin return to TTL level, the lockout feature will be activated again.

In order to detect whether the boot block feature is set on the 16K-bytes block, users can perform software command code sequence: enter the product identification mode (see Command Codes for Identification/Boot Block Lockout Detection for specific code), and then read from address "0002 (hex)". If the DQ0 of output data is "1," the boot block programming lockout feature is activated; if the DQ0 of output data is "0," the lockout feature is inactivated and the block can be erased/programmed.

To return to normal operation, perform a three-byte command code sequence (or an alternate single-byte command) to exit the identification mode. For the specific code, see Command Code for Identification/Boot Block Lockout Detection.

### Chip Erase Operation

The chip-erase mode can be initiated by a six-byte command code sequence. After the command loading cycle, the device enters the internal chip erase mode, which is automatically timed and will be completed as fast as 100 mS (typical). The host system is not required to provide any control or timing during this operation. The entire memory array will be erased to FF hex. by the chip erase



operation if the boot block programming lockout feature is not activated. Once the boot block lockout feature is activated, the whole chip erase function will erase the two main memory blocks and the two parameter blocks but not the boot block. The device will automatically return to normal read mode after the erase operation. Data polling and/or Toggle Bits can be used to detect end of erase cycle.

## Sector Erase Operation

There are four sectors: two main memory blocks and two parameters blocks which can be erased individually by initiating a six-byte command code sequence. Sector address is latched on the falling edge of  $\overline{WE}$  signal in the sixth cycle while the data input "30(hex)" is latched at the rising edge of  $\overline{WE}$  in this cycle. After the command loading cycle, the device enters the internal sector erase mode, which is automatically timed and will be completed as fast as 100 mS (typical). The host system does not require to provide any control or timing during this operation. The device will automatically return to normal read mode after the erase operation. Data polling and/or Toggle Bits can be used to detect the end of erase cycle.

When different sector address is loaded in the sixth cycle for sector erase command, the correspondent sectors will be erased automatically; that these sections will be erased independently. For detail sector to be erased information, please refer to the **Table of Command Definition**.

## Program Operation

The W49F002U is programmed on a byte-by-byte basis. Program operation can only change logical data "1" to logical data "0". The erase operation (changed entire data in two main memory blocks and two parameter blocks and/or boot block from "0" to "1") is needed before programming.

The program operation is initiated by a 4-byte command code sequence (see Command Codes for Byte Programming). The device will internally enter the program operation immediately after the byte-program command is entered. The internal program timer will automatically time-out (50  $\mu$ S max. - TBP). Once completed, the device returns to normal read mode. Data polling and/or Toggle Bits can be used to detect end of program cycle.

## Hardware Data Protection

The integrity of the data stored in the W49F002U is also hardware protected in the following ways:

- (1) Noise/Glitch Protection: A  $\overline{WE}$  pulse of less than 15 nS in duration will not initiate a write cycle.
- (2) VDD Power Up/Down Detection: The programming operation is inhibited when VDD is less than 2.5V typical.
- (3) Write Inhibit Mode: Forcing  $\overline{OE}$  low,  $\overline{CE}$  high, or  $\overline{WE}$  high will inhibit the write operation. This prevents inadvertent writes during power-up or power-down periods.
- (4) VDD power-on delay: When VDD has reached its sense level, the device will automatically time-out 5 mS before any write (erase/program) operation.

## Data Polling (DQ7)- Write Status Detection

The W49F002U includes a data polling feature to indicate the end of a program or erase cycle. When the W49F002U is in the internal program or erase cycle, any attempt to read DQ7 of the last byte loaded will receive the complement of the true data. Once the program or erase cycle is completed, DQ7 will show the true data. Note that DQ7 will show logical "0" during the erase cycle, and become logical "1" or true data when the erase cycle has been completed.



## Toggle Bit (DQ6)- Write Status Detection

In addition to data polling, the W49F002U provides another method for determining the end of a program cycle. During the internal program or erase cycle, any consecutive attempts to read DQ6 will produce alternating 0's and 1's. When the program or erase cycle is completed, this toggling between 0's and 1's will stop. The device is then ready for the next operation.

## Product Identification

The product ID operation outputs the manufacturer code and device code. Programming equipment automatically matches the device with its proper erase and programming algorithms.

The manufacturer and device codes can be accessed by software or hardware operation. In the software access mode, a three-byte (or JEDEC 3-byte) command sequence can be used to access the product ID. A read from address 0000H outputs the manufacturer code DA(hex). A read from address 0001H outputs the device code 0B(hex). The product ID operation can be terminated by a three-byte command code sequence or an alternate one-byte command code sequence (see Command Definition table).

In the hardware access mode, access to the product ID is activated by forcing  $\overline{CE}$  and  $\overline{OE}$  low,  $\overline{WE}$  high, and raising A9 to 12 volts.

## TABLE OF OPERATING MODES

### Operating Mode Selection

(V<sub>HH</sub> = 12V ± 5%)

MODE	PINS					
	$\overline{RESET}$	$\overline{CE}$	$\overline{OE}$	$\overline{WE}$	ADDRESS	DQ.
Read	V <sub>IH</sub>	V <sub>IL</sub>	V <sub>IL</sub>	V <sub>IH</sub>	A <sub>IN</sub>	Dout
Write	V <sub>IH</sub>	V <sub>IL</sub>	V <sub>IH</sub>	V <sub>IL</sub>	A <sub>IN</sub>	Din
Standby	V <sub>IH</sub>	V <sub>IH</sub>	X	X	X	High Z
Write Inhibit	V <sub>IH</sub>	X	V <sub>IL</sub>	X	X	High Z/DOUT
	V <sub>IH</sub>	X	X	V <sub>IH</sub>	X	High Z/DOUT
Output Disable	V <sub>IH</sub>	X	V <sub>IH</sub>	X	X	High Z
Reset Mode	V <sub>IL</sub>	X	X	X	X	High Z
Product ID	V <sub>IH</sub>	V <sub>IL</sub>	V <sub>IL</sub>	V <sub>IH</sub>	A0 = V <sub>IL</sub> ; A1–A17 = V <sub>IL</sub> ; A9 = V <sub>HH</sub>	Manufacturer Code DA (Hex)
	V <sub>IH</sub>	V <sub>IL</sub>	V <sub>IL</sub>	V <sub>IH</sub>	A0 = V <sub>IH</sub> ; A1–A17 = V <sub>IL</sub> ; A9 = V <sub>HH</sub>	Device Code 0B (Hex)

**TABLE OF COMMAND DEFINITION<sup>(1)</sup>**

COMMAND	NO. OF	1ST CYCLE	2ND CYCLE	3RD CYCLE	4TH CYCLE	5TH CYCLE	6TH CYCLE
DESCRIPTION	Cycles	Addr. Data	Addr. Data	Addr. Data	Addr. Data	Addr. Data	Addr. Data
Read	1	AIN DOUT					
Chip Erase	6	5555 AA	2AAA 55	5555 80	5555 AA	2AAA 55	5555 10
Sector Erase	6	5555 AA	2AAA 55	5555 80	5555 AA	2AAA 55	SA <sup>(3)</sup> 30
Byte Program	4	5555 AA	2AAA 55	5555 A0	AIN DIN		
Boot Block Lockout	6	5555 AA	2AAA 55	5555 80	5555 AA	2AAA 55	5555 40
Product ID Entry	3	5555 AA	2AAA 55	5555 90			
Product ID Exit <sup>(2)</sup>	3	5555 AA	2AAA 55	5555 F0			
Product ID Exit <sup>(2)</sup>	1	XXXX F0					

## Notes:

- Address Format: A14–A0 (Hex); Data Format: DQ7–DQ0 (Hex)
- Either one of the two Product ID Exit commands can be used.
- SA means: Sector Address
  - If SA is within 3C000 to 3FFFF (Boot Block address range), and the Boot Block programming lockout feature is activated, nothing will happen and the device will go back to read mode after 100nS.
  - If the Boot Block programming lockout feature is not activated, this command will erase Boot Block.
  - If SA is within 3A000 to 3BFFF (Parameter Block1 address range), this command will erase PB1.
  - If SA is within 38000 to 39FFF (Parameter Block2 address range), this command will erase PB2.
  - If SA is within 20000 to 37FFF (Main Memory Block1 address range), this command will erase MMB1.
  - If SA is within 00000 to 1FFFF (Main Memory Block2 address range), this command will erase MMB2.

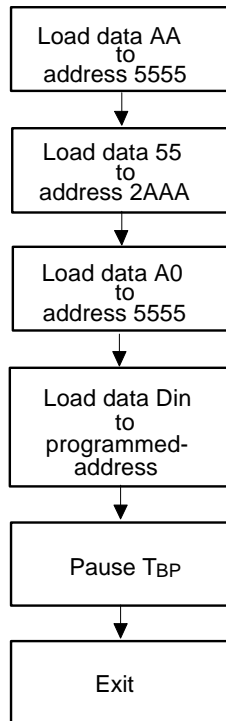


**Command Codes for Byte Program**

COMMAND SEQUENCE	ADDRESS	DATA
0 Write	5555H	AAH
1 Write	2AAAH	55H
2 Write	5555H	A0H
3 Write	Programmed-address	Programmed-data

**Byte Program Flow Chart**

**Byte Program Command Flow**



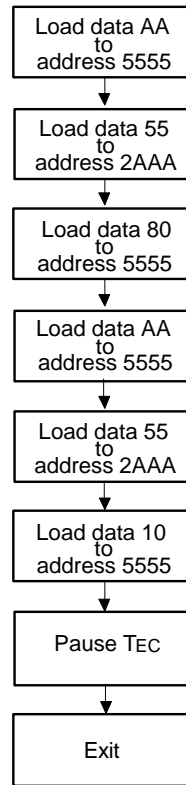
Notes for software program code:  
 Data Format: DQ7–DQ0 (Hex)  
 Address Format: A14–A0 (Hex)



**Command Codes for Chip Erase**

BYTE SEQUENCE	ADDRESS	DATA
1 Write	5555H	AAH
2 Write	2AAAH	55H
3 Write	5555H	80H
4 Write	5555H	AAH
5 Write	2AAAH	55H
6 Write	5555H	10H

**Chip Erase Acquisition Flow**



Notes for chip erase:  
 Data Format: DQ7–DQ0 (Hex)  
 Address Format: A14–A0 (Hex)

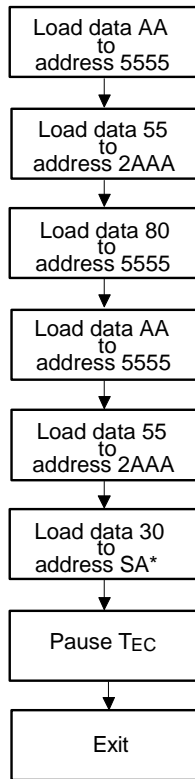




**Command Codes for Sector Erase**

BYTE SEQUENCE	ADDRESS	DATA
1 Write	5555H	AAH
2 Write	2AAAH	55H
3 Write	5555H	80H
4 Write	5555H	AAH
5 Write	2AAAH	55H
6 Write	SA*	30H

**Sector Erase Acquisition Flow**



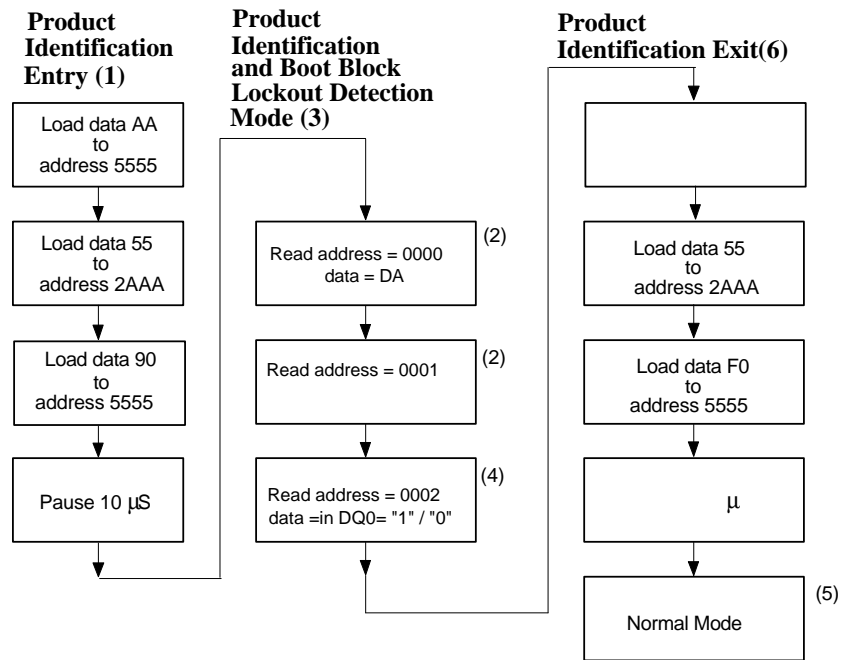
Notes for chip erase:  
 Data Format: DQ7–DQ0 (Hex)  
 Address Format: A14–A0 (Hex)  
 SA : For details, see the page 6 .



**Command Codes for Product Identification and Boot Block Lockout Detection**

BYTE SEQUENCE	SOFTWARE PRODUCT IDENTIFICATION/BOOT BLOCK LOCKOUT DETECTION ENTRY		SOFTWARE PRODUCT IDENTIFICATION/BOOT BLOCK LOCKOUT DETECTION EXIT(6)	
	ADDRESS	DATA	ADDRESS	DATA
1 Write	5555	AA	5555H	AAH
2 Write	2AAA	55	2AAAH	55H
3 Write	5555	90	5555H	F0H
Pause 10 $\mu$ S			Pause 10 $\mu$ S	

**Software Product Identification and Boot Block Lockout Detection Acquisition Flow**



Notes for software product identification/boot block lockout detection:

- (1) Data Format: DQ7–DQ0 (Hex); Address Format: A14–A0 (Hex)
- (2) A1–A17 = V<sub>IL</sub>; manufacture code is read for A0 = V<sub>IL</sub>; device code is read for A0 = V<sub>IH</sub>.
- (3) The device does not remain in identification and boot block lockout detection mode if power down.
- (4) If the output data in DQ0= " 1 " the boot block programming lockout feature is activated; if the output data in DQ0 = " 0 ," the lockout feature is inactivated and the boot block can be programmed.
- (5) The device returns to standard operation mode.
- (6) Optional 1-byte cycle (write F0 hex at XXXX address) can be used to exit the product identification/boot block lockout detection.

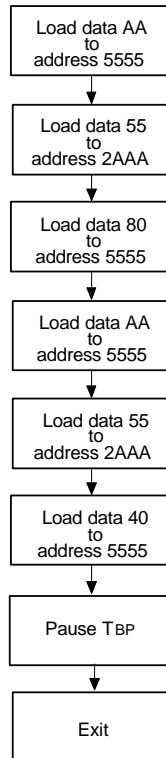


**Command Codes for Boot Block Lockout Enable**

BYTE SEQUENCE	ADDRESS	DATA
0 Write	5555H	AAH
1 Write	2AAAH	55H
2 Write	5555H	80H
3 Write	5555H	AAH
4 Write	2AAAH	55H
5 Write	5555H	40H
Pause TBP		

**Boot Block Lockout Enable Acquisition Flow**

**Boot Block Lockout  
Feature Set Flow**



Notes for boot block lockout enable:  
 Data Format: DQ7–DQ0 (Hex)  
 Address Format: A14–A0 (Hex)



## DC CHARACTERISTICS

### Absolute Maximum Ratings

PARAMETER	RATING	UNIT
Power Supply Voltage to V <sub>SS</sub> Potential	-0.5 to +7.0	V
Operating Temperature	0 to +70	°C
Storage Temperature	-65 to +150	°C
D.C. Voltage on Any Pin to Ground Potential except $\overline{OE}$	-0.5 to V <sub>DD</sub> +1.0	V
Transient Voltage (<20 nS ) on Any Pin to Ground Potential	-1.0 to V <sub>DD</sub> +1.0	V
Voltage on $\overline{OE}$ Pin to Ground Potential	-0.5 to 12.5	V

Note: Exposure to conditions beyond those listed under Absolute Maximum Ratings may adversely affect the life and reliability of the device.

### DC Operating Characteristics

(V<sub>DD</sub> = 5.0V ±10%, V<sub>SS</sub> = 0V, T<sub>A</sub> = 0 to 70° C)

PARAMETER	SYM.	TEST CONDITIONS	LIMITS			UNIT
			MIN.	TYP.	MAX.	
Power Supply Current	I <sub>CC</sub>	$\overline{CE} = \overline{OE} = V_{IL}$ , $\overline{WE} = V_{IH}$ , all DQs open Address inputs = V <sub>IL</sub> /V <sub>IH</sub> , at f = 5 MHz	-	25	50	mA
Standby V <sub>DD</sub> Current (TTL input)	I <sub>SB1</sub>	$\overline{CE} = V_{IH}$ , all DQs open Other inputs = V <sub>IL</sub> /V <sub>IH</sub>	-	2	3	mA
Standby V <sub>DD</sub> Current (CMOS input)	I <sub>SB2</sub>	$\overline{CE} = V_{DD} - 0.3V$ , all DQs open Other inputs = V <sub>DD</sub> - 0.3V/GND	-	20	100	μA
Input Leakage Current	I <sub>LI</sub>	V <sub>IN</sub> = GND to V <sub>DD</sub>	-	-	10	μA
Output Leakage Current	I <sub>LO</sub>	V <sub>OUT</sub> = GND to V <sub>DD</sub>	-	-	10	μA
Input Low Voltage	V <sub>IL</sub>	-	-0.3	-	0.8	V
Input High Voltage	V <sub>IH</sub>	-	2.0	-	V <sub>DD</sub> +0.5	V
Output Low Voltage	V <sub>OL</sub>	I <sub>OL</sub> = 2.1 mA	-	-	0.45	V
Output High Voltage	V <sub>OH</sub>	I <sub>OH</sub> = -0.4 mA	2.4	-	-	V



**Power-up Timing**

PARAMETER	SYMBOL	TYPICAL	UNIT
Power-up to Read Operation	TPU. READ	100	μS
Power-up to Write Operation	TPU. WRITE	5	mS

**CAPACITANCE**

(V<sub>DD</sub> = 5.0V, T<sub>A</sub> = 25° C, f = 1 MHz)

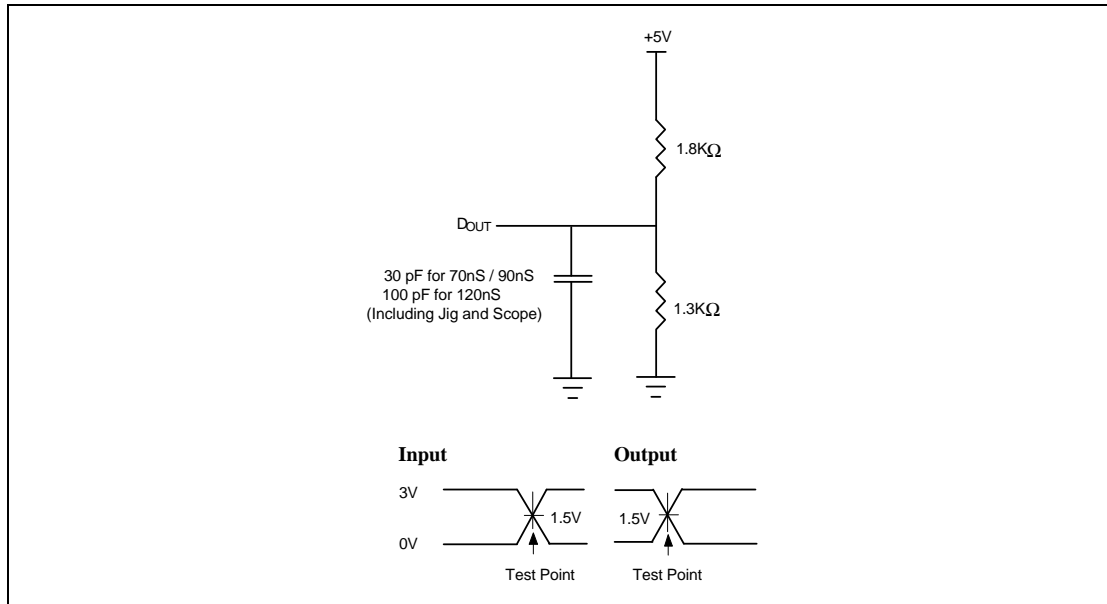
PARAMETER	SYMBOL	CONDITIONS	MAX.	UNIT
I/O Pin Capacitance	C <sub>I/O</sub>	V <sub>I/O</sub> = 0V	12	pf
Input Capacitance	C <sub>IN</sub>	V <sub>IN</sub> = 0V	6	pf

**AC CHARACTERISTICS**

**AC Test Conditions**

PARAMETER	CONDITIONS
Input Pulse Levels	0V to 3.0V
Input Rise/Fall Time	< 5 nS
Input/Output Timing Level	1.5V/1.5V
Output Load	1 TTL Gate and C <sub>L</sub> = 100 pF for 120 nS; C <sub>L</sub> = 30 pF for 70 nS /90 nS

**AC Test Load and Waveform**





AC Characteristics, continued

## Read Cycle Timing Parameters

(V<sub>CC</sub> = 5.0V ±10%, V<sub>CC</sub> = 0V, T<sub>A</sub> = 0 to 70° C)

PARAMETER	SYM.	W49F002U-70		W49F002U-90		W49F002U-120		UNIT
		MIN.	MAX.	MIN.	MAX.	MIN.	MAX.	
Read Cycle Time	TRC	70	-	90	-	120	-	nS
Chip Enable Access Time	TCE	-	70	-	90	-	120	nS
Address Access Time	TAA	-	70	-	90	-	120	nS
Output Enable Access Time	TOE	-	35	-	40	-	50	nS
$\overline{CE}$ Low to Active Output	TCLZ	0	-	0	-	0	-	nS
$\overline{OE}$ Low to Active Output	TOLZ	0	-	0	-	0	-	nS
$\overline{CE}$ High to High-Z Output	TCHZ	-	25	-	25	-	30	nS
$\overline{OE}$ High to High-Z Output	TOHZ	-	25	-	25	-	30	nS
Output Hold from Address Change	TOH	0	-	0	-	0	-	nS

## Write Cycle Timing Parameters

PARAMETER	SYMBOL	MIN.	TYP.	MAX.	UNIT
Address Setup Time	T <sub>AS</sub>	0	-	-	nS
Address Hold Time	T <sub>AH</sub>	50	-	-	nS
$\overline{WE}$ and $\overline{CE}$ Setup Time	T <sub>CS</sub>	0	-	-	nS
$\overline{WE}$ and $\overline{CE}$ Hold Time	T <sub>CH</sub>	0	-	-	nS
$\overline{OE}$ High Setup Time	T <sub>OES</sub>	0	-	-	nS
$\overline{OE}$ High Hold Time	T <sub>OEH</sub>	0	-	-	nS
$\overline{CE}$ Pulse Width	T <sub>CP</sub>	100	-	-	nS
$\overline{WE}$ Pulse Width	T <sub>WP</sub>	100	-	-	nS
$\overline{WE}$ High Width	T <sub>WPH</sub>	100	-	-	nS
Data Setup Time	T <sub>DS</sub>	50	-	-	nS
Data Hold Time	T <sub>DH</sub>	10	-	-	nS
Byte Programming Time	T <sub>BP</sub>	-	35	50	μS
Erase Cycle Time	T <sub>EC</sub>	-	0.1	0.2	S

Note: All AC timing signals observe the following guidelines for determining setup and hold times:

(a) High level signal's reference level is V<sub>IH</sub> and (b) low level signal's reference level is V<sub>IL</sub>.



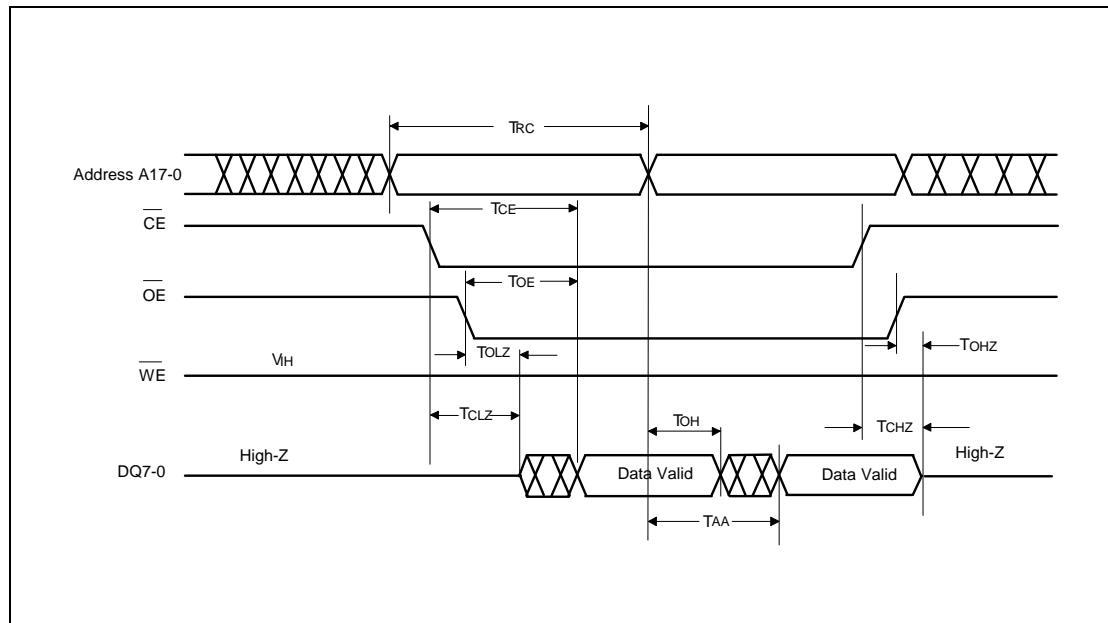
AC Characteristics, continued

## Data Polling and Toggle Bit Timing Parameters

PARAMETER	SYM.	W49F002U-70		W49F002U-90		W49F002U-120		UNIT
		MIN.	MAX.	MIN.	MAX.	MIN.	MAX.	
$\overline{\text{OE}}$ to Data Polling Output Delay	TOEP	-	35	-	40	-	50	nS
$\overline{\text{CE}}$ to Data Polling Output Delay	TCEP	-	70	-	90	-	120	nS
$\overline{\text{OE}}$ to Toggle Bit Output Delay	TOET	-	35	-	40	-	50	nS
$\overline{\text{CE}}$ to Toggle Bit Output Delay	TCET	-	70	-	90	-	120	nS

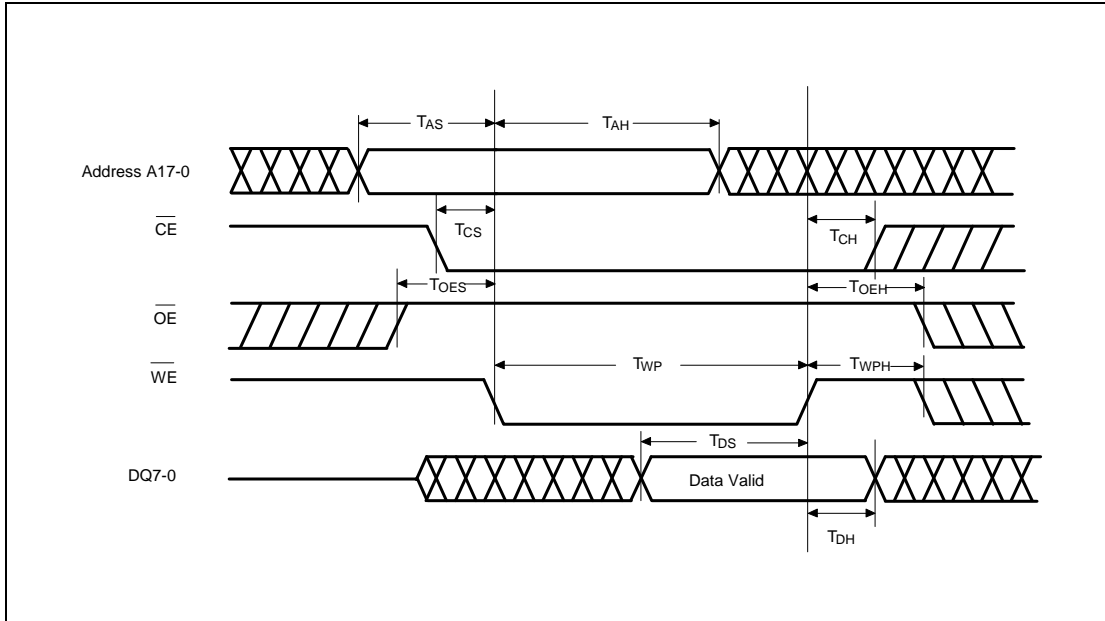
## TIMING WAVEFORMS

### Read Cycle Timing Diagram

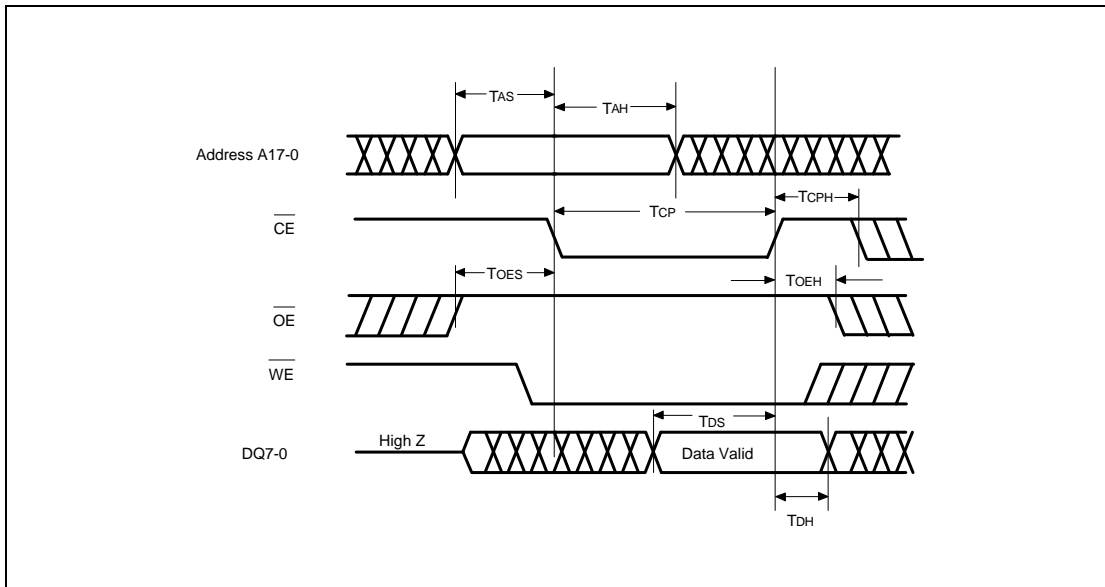


Timing Waveforms, continued

**WE Controlled Command Write Cycle Timing Diagram**



**CE Controlled Command Write Cycle Timing Diagram**

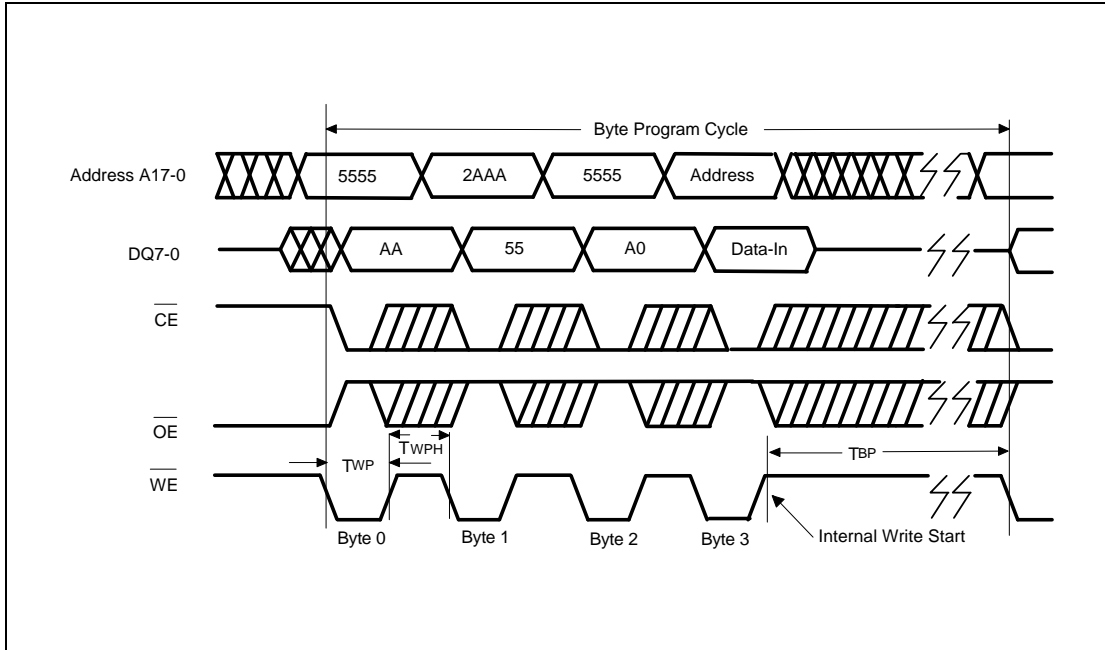




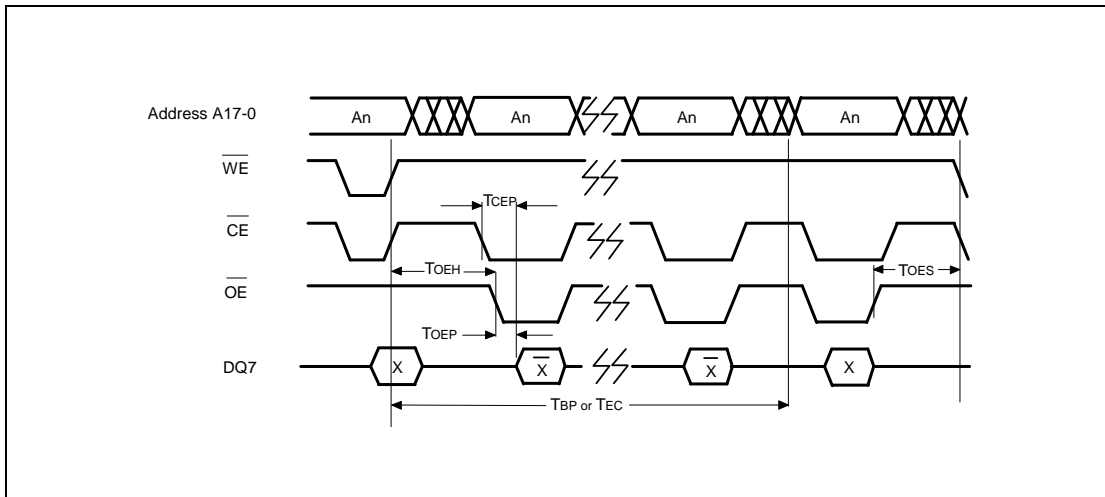


Timing Waveforms, continued

**Program Cycle Timing Diagram**

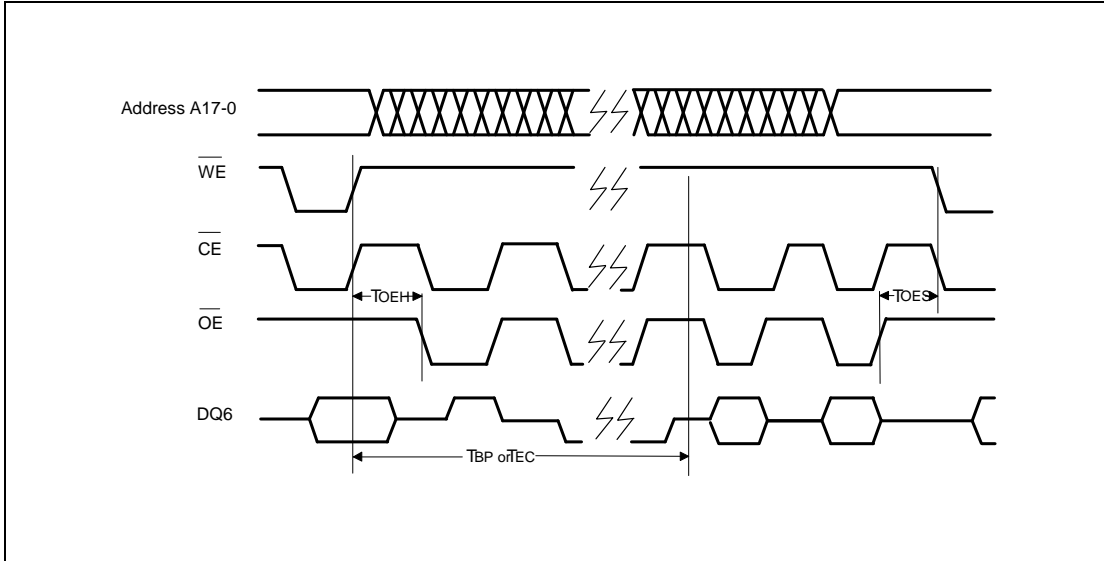


**DATA Polling Timing Diagram**

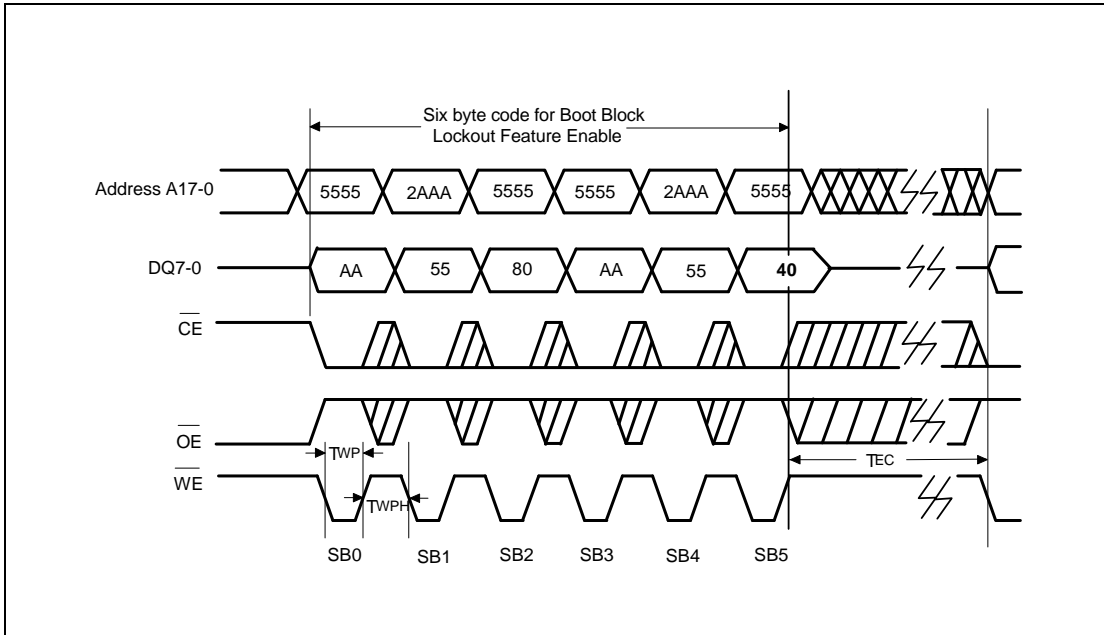


Timing Waveforms, continued

**Toggle Bit Timing Diagram**



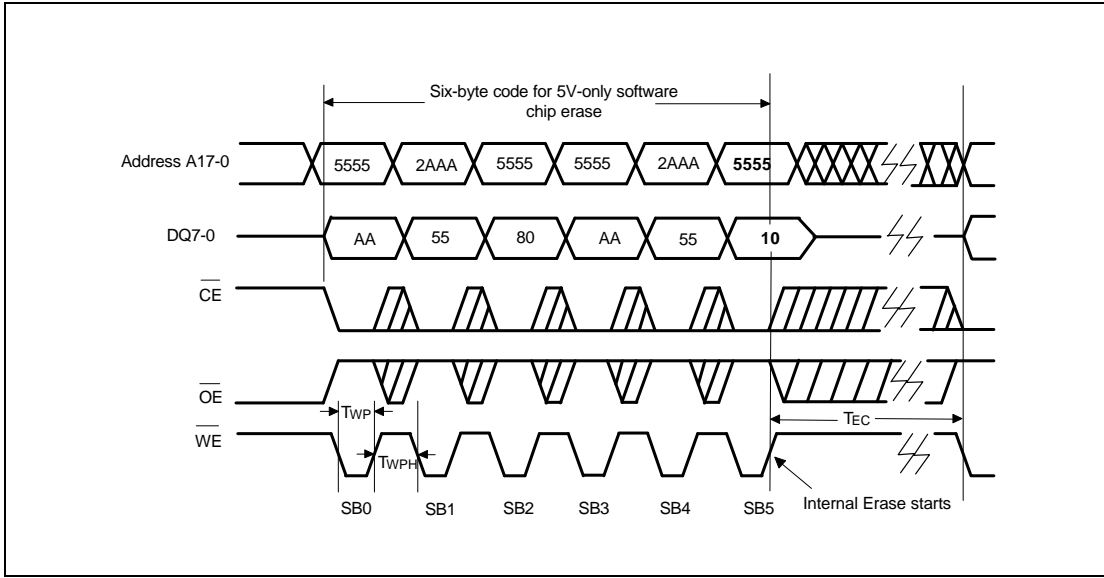
**Boot Block Lockout Enable Timing Diagram**



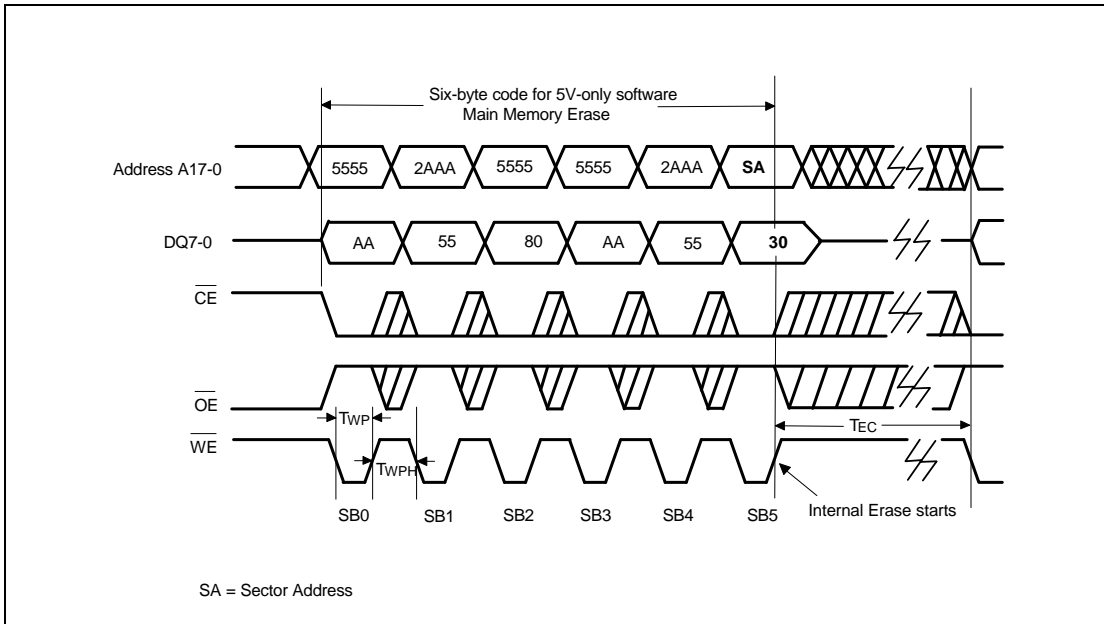


Timing Waveforms, continued

**Chip Erase Timing Diagram**



**Sector Erase Timing Diagram**





## ORDERING INFORMATION

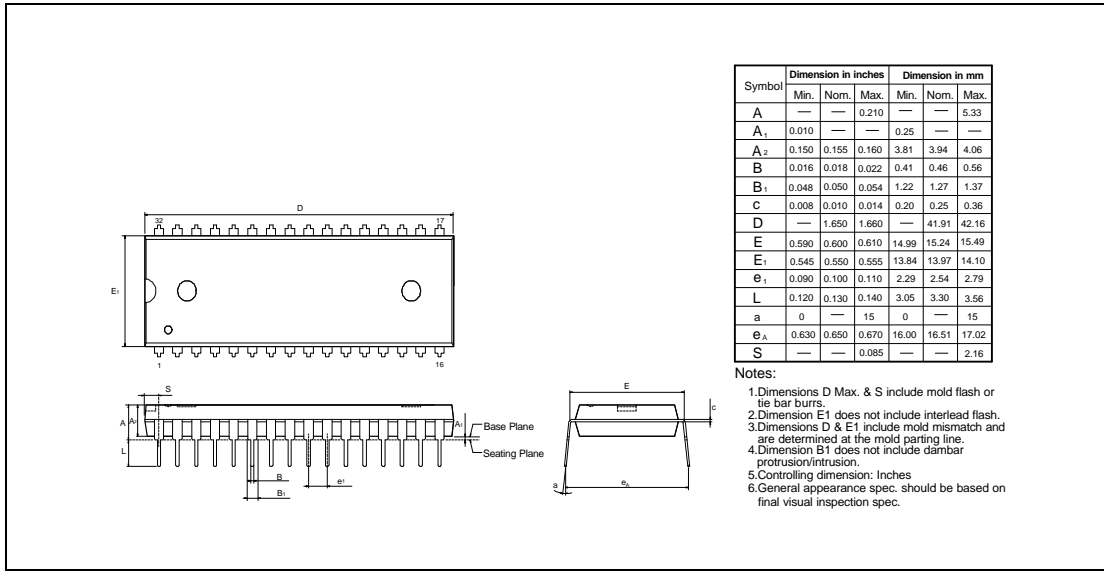
PART NO.	ACCESS TIME (nS)	POWER SUPPLY CURRENT MAX. (mA)	STANDBY $V_{DD}$ CURRENT MAX. ( $\mu$ A)	PACKAGE	CYCLE
W49F002U-70B	70	50	100 (CMOS)	32-pin DIP	10K
W49F002U-90B	90	50	100 (CMOS)	32-pin DIP	10K
W49F002U-12B	120	50	100 (CMOS)	32-pin DIP	10K
W49F002UT70B	70	50	100 (CMOS)	32-pin TSOP (8 mm $\times$ 20 mm)	10K
W49F002UT90B	90	50	100 (CMOS)	32-pin TSOP (8 mm $\times$ 20 mm)	10K
W49F002UT12B	120	50	100 (CMOS)	32-pin TSOP (8 mm $\times$ 20 mm)	10K
W49F002UP70B	70	50	100 (CMOS)	32-pin PLCC	10K
W49F002UP90B	90	50	100 (CMOS)	32-pin PLCC	10K
W49F002UP12B	120	50	100 (CMOS)	32-pin PLCC	10K

Notes:

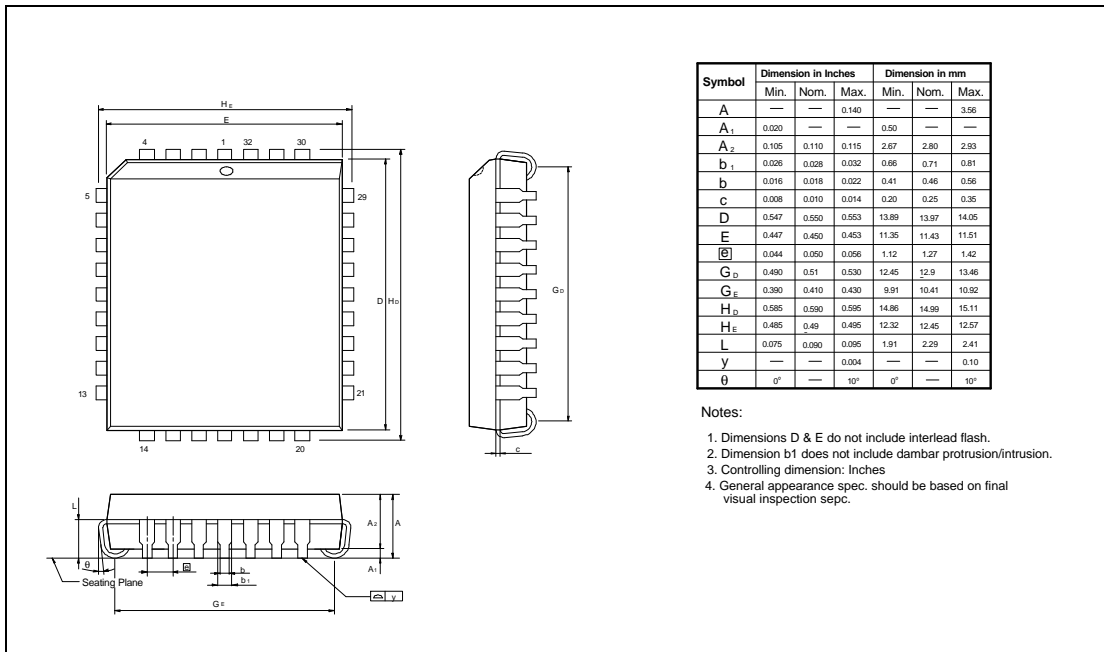
1. Winbond reserves the right to make changes to its products without prior notice.
2. Purchasers are responsible for performing appropriate quality assurance testing on products intended for use in applications where personal injury might occur as a consequence of product failure.
3. Winbond withholds a Boot Block options for Bottom Boot use. Please contact Winbond FAEs for detail information.

## PACKAGE DIMENSIONS

### 32-pin P-DIP



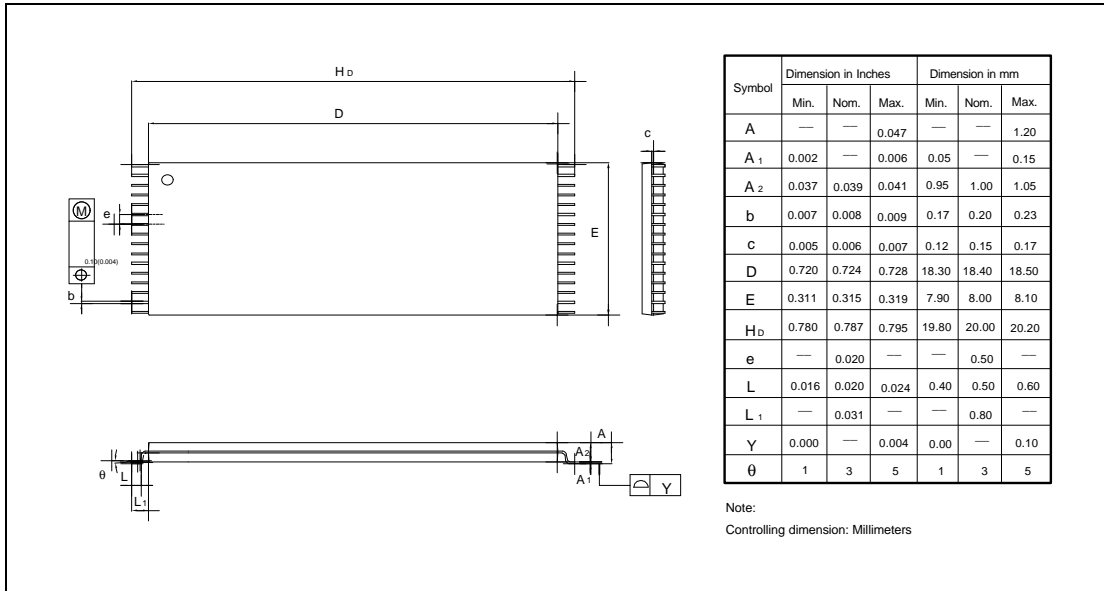
### 32-pin PLCC





Package Dimensions, continued

## 32-pin TSOP





## VERSION HISTORY

VERSION	DATE	PAGE	DESCRIPTION
A1	Nov. 1999	-	Renamed from W49F002/B/U/N
A2	Apr. 2000	1, 13-15, 20	Add the 120 nS bin
		14	Change Tbp(typ.) from 10 $\mu$ S to 35 $\mu$ S Change Tec(max.) from 1 Sec to 0.2 Sec



**Headquarters**  
No. 4, Creation Rd. III,  
Science-Based Industrial Park,  
Hsinchu, Taiwan  
TEL: 886-3-5770066  
FAX: 886-3-5796096  
<http://www.winbond.com.tw/>  
Voice & Fax-on-demand: 886-2-27197006

**Taipei Office**  
11F, No. 115, Sec. 3, Min-Sheng East Rd.,  
Taipei, Taiwan  
TEL: 886-2-27190505  
FAX: 886-2-27197502

**Winbond Electronics (H.K.) Ltd.**  
Rm. 803, World Trade Square, Tower II,  
123 Hoi Bun Rd., Kwun Tong,  
Kowloon, Hong Kong  
TEL: 852-27513100  
FAX: 852-27552064

**Winbond Electronics North America Corp.**  
**Winbond Memory Lab.**  
**Winbond Microelectronics Corp.**  
**Winbond Systems Lab.**  
2727 N. First Street, San Jose,  
CA 95134, U.S.A.  
TEL: 408-9436666  
FAX: 408-5441798

Note: All data and specifications are subject to change without notice.

Publication Release Date: April 2000

Revision A2