

## Features

- **Low Voltage and Standard Voltage Operation**
  - 5.0 ( $V_{CC} = 4.5V$  to  $5.5V$ )
  - 2.7 ( $V_{CC} = 2.7V$  to  $5.5V$ )
  - 2.5 ( $V_{CC} = 2.5V$  to  $5.5V$ )
- **User Selectable Internal Organization**
  - 1K: 128 x 8 or 64 x 16
  - 2K: 256 x 8 or 128 x 16
  - 4K: 512 x 8 or 256 x 16
- **4-Wire Serial Interface**
- **Self-Timed Write Cycle (10 ms max)**
- **High Reliability**
  - Endurance: 1 Million Write Cycles
  - Data Retention: 100 Years
  - ESD Protection: >4000V
- **8-Pin PDIP and 8-Pin EIAJ SOIC Packages**

## Description

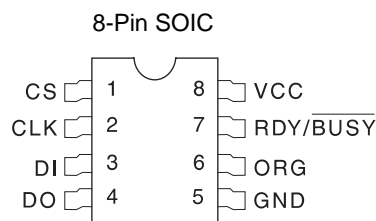
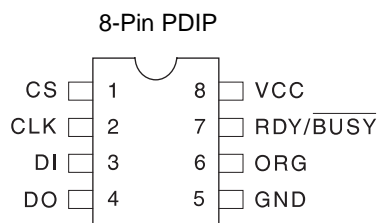
The AT59C11/22/13 provides 1024/2048/4096 bits of serial EEPROM (Electrically Erasable Programmable Read Only Memory) organized as 64/128/256 words of 16 bits each, when the ORG Pin is connected to  $V_{CC}$  and 128/256/512 words of 8 bits each when it is tied to ground. The device is optimized for use in many industrial and commercial applications where low power and low voltage operation are essential. The AT59C11/22/13 is available in space saving 8-pin PDIP and 8-pin EIAJ SOIC packages.

The AT59C11/22/13 is enabled through the Chip Select pin (CS), and accessed via a 4-wire serial interface consisting of Data Input (DI), Data Output (DO), and Clock (CLK). Upon receiving a READ instruction at DI, the address is decoded and the data is clocked out serially on the data output pin DO, the WRITE cycle is completely self-timed and no separate ERASE cycle is required before WRITE. The WRITE cycle is only enabled when the part is in the ERASE/WRITE ENABLE state. Ready/Busy status can be monitored upon completion of a programming operation by polling the Ready/Busy pin.

The AT59C11/22/13 is available in  $5.0V \pm 10\%$ , 2.7V to 5.5V and 2.5V to 5.5V versions.

## Pin Configurations

| Pin Name | Function              |
|----------|-----------------------|
| CS       | Chip Select           |
| CLK      | Serial Data Clock     |
| DI       | Serial Data Input     |
| DO       | Serial Data Output    |
| GND      | Ground                |
| $V_{CC}$ | Power Supply          |
| ORG      | Internal Organization |
| RDY/BUSY | Status Output         |



## 4-Wire Serial EEPROMs

1K (128 x 8 or 64 x 16)

2K (256 x 8 or 128 x 16)

4K (512 x 8 or 256 x 16)

**AT59C11**

**AT59C22**

**AT59C13**

Rev. 0173K-07/98

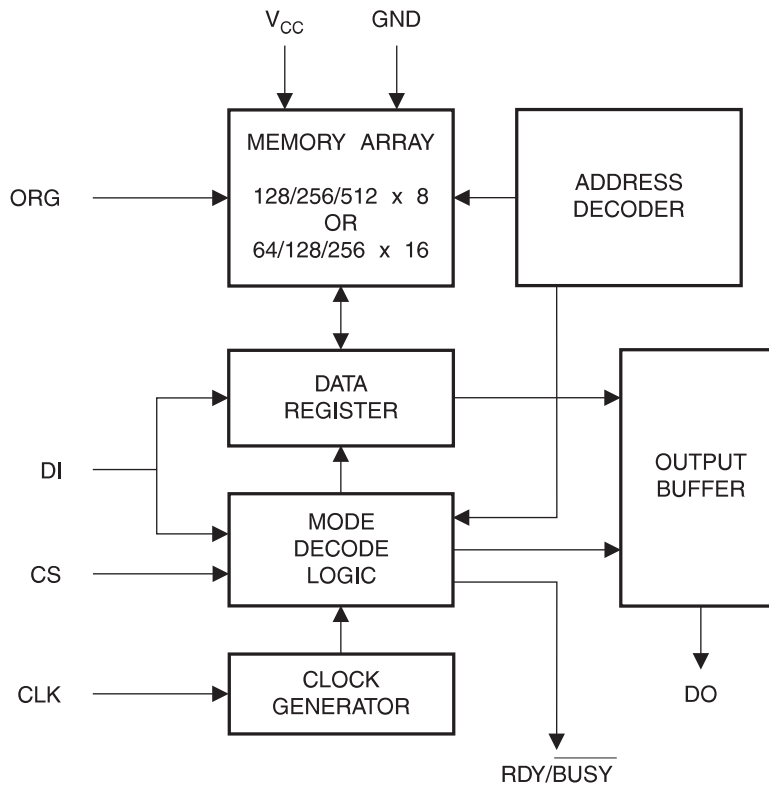


## Absolute Maximum Ratings\*

|                                                    |                 |
|----------------------------------------------------|-----------------|
| Operating Temperature .....                        | -55°C to +125°C |
| Storage Temperature .....                          | -65°C to +150°C |
| Voltage on Any Pin<br>with Respect to Ground ..... | -1.0V to +7.0V  |
| Maximum Operating Voltage.....                     | 6.25V           |
| DC Output Current.....                             | 5.0 mA          |

\*NOTICE: Stresses beyond those listed under “Absolute Maximum Ratings” may cause permanent damage to the device. This is a stress rating only and functional operation of the device at these or any other conditions beyond those indicated in the operational sections of this specification is not implied. Exposure to absolute maximum rating conditions for extended periods may affect device reliability

## Block Diagram<sup>(1)</sup>



Note: 1. When the ORG pin is connected to  $V_{CC}$ , the x 16 organization is selected. When it is connected to ground, the x 8 organization is selected. If the ORG pin is left unconnected, then an internal pullup device will select the x 16 organization.

## Pin Capacitance<sup>(1)</sup>

Applicable over recommended operating range from  $T_A = 25^\circ\text{C}$ ,  $f = 1.0\text{ MHz}$ ,  $V_{CC} = +5.0\text{V}$  (unless otherwise noted).

|           | Test Conditions                                                 | Max | Units | Conditions            |
|-----------|-----------------------------------------------------------------|-----|-------|-----------------------|
| $C_{OUT}$ | Output Capacitance (DO)                                         | 5   | pF    | $V_{OUT} = 0\text{V}$ |
| $C_{IN}$  | Input Capacitance (CS, CLK, DI, RDY/ $\overline{\text{BUSY}}$ ) | 5   | pF    | $V_{IN} = 0\text{V}$  |

Note: 1. This parameter is characterized and is not 100% tested.

## DC Characteristics

Applicable over recommended operating range from:  $T_{AI} = -40^\circ\text{C}$  to  $+85^\circ\text{C}$ ,  $V_{CC} = +2.5\text{V}$  to  $+5.5\text{V}$ ,  $T_{AC} = 0^\circ\text{C}$  to  $+70^\circ\text{C}$ ,  $V_{CC} = +2.5\text{V}$  to  $+5.5\text{V}$  (unless otherwise noted).

| Symbol          | Parameter           | Test Condition                             |                                                        | Min                 | Typ  | Max                 | Units         |
|-----------------|---------------------|--------------------------------------------|--------------------------------------------------------|---------------------|------|---------------------|---------------|
| $V_{CC1}$       | Supply Voltage      |                                            |                                                        | 1.8                 |      | 5.5                 | V             |
| $V_{CC2}$       | Supply Voltage      |                                            |                                                        | 2.5                 |      | 5.5                 | V             |
| $V_{CC3}$       | Supply Voltage      |                                            |                                                        | 2.7                 |      | 5.5                 | V             |
| $V_{CC4}$       | Supply Voltage      |                                            |                                                        | 4.5                 |      | 5.5                 | V             |
| $I_{CC}$        | Supply Current      | $V_{CC} = 5.0\text{V}$                     | READ at 1.0 MHz                                        |                     | 0.5  | 2.0                 | mA            |
|                 |                     |                                            | WRITE at 1.0 MHz                                       |                     | 0.5  | 2.0                 | mA            |
| $I_{SB1}$       | Standby Current     | $V_{CC} = 2.5\text{V}$                     | CS = 0V                                                |                     | 6.0  | 10.0                | $\mu\text{A}$ |
| $I_{SB2}$       | Standby Current     | $V_{CC} = 2.7\text{V}$                     | CS = 0V                                                |                     | 6.0  | 10.0                | $\mu\text{A}$ |
| $I_{SB3}$       | Standby Current     | $V_{CC} = 5.0\text{V}$                     | CS = 0V                                                |                     | 21.0 | 30.0                | $\mu\text{A}$ |
| $I_{IL}$        | Input Leakage       | $V_{IN} = 0\text{V}$ to $V_{CC}$           |                                                        |                     | 0.1  | 1.0                 | $\mu\text{A}$ |
| $I_{OL}$        | Output Leakage      | $V_{IN} = 0\text{V}$ to $V_{CC}$           |                                                        |                     | 0.1  | 1.0                 | $\mu\text{A}$ |
| $V_{IL1}^{(1)}$ | Input Low Voltage   | $4.5\text{V} \leq V_{CC} \leq 5.5\text{V}$ |                                                        | -0.6                |      | 0.8                 | V             |
| $V_{IH1}^{(1)}$ | Input High Voltage  |                                            |                                                        | 2.0                 |      | $V_{CC} + 1$        |               |
| $V_{IL2}^{(1)}$ | Input Low Voltage   | $2.5\text{V} \leq V_{CC} \leq 2.7\text{V}$ |                                                        | -0.6                |      | $V_{CC} \times 0.3$ | V             |
| $V_{IH2}^{(1)}$ | Input High Voltage  |                                            |                                                        | $V_{CC} \times 0.7$ |      | $V_{CC} + 1$        |               |
| $V_{OL1}$       | Output Low Voltage  | $4.5\text{V} \leq V_{CC} \leq 5.5\text{V}$ | $I_{OL} = 2.1\text{ mA}$<br>$I_{OH} = 0.4\text{ mA}$   |                     |      | 0.4                 | V             |
| $V_{OH1}$       | Output High Voltage |                                            |                                                        | 2.4                 |      |                     |               |
| $V_{OL2}$       | Output Low Voltage  | $2.5\text{V} \leq V_{CC} \leq 2.7\text{V}$ | $I_{OL} = 0.15\text{ mA}$<br>$I_{OH} = -0.1\text{ mA}$ |                     |      | 0.2                 | V             |
| $V_{OH2}$       | Output High Voltage |                                            |                                                        | $V_{CC} - 0.2$      |      |                     |               |

Note: 1.  $V_{IL}$  min and  $V_{IH}$  max are reference only and are not tested.

## AC Characteristics

Applicable over recommended operating range from  $T_A = -40^{\circ}\text{C}$  to  $+85^{\circ}\text{C}$ ,  $V_{CC} = +2.5\text{V}$  to  $+5.5\text{V}$ ,  $CL = 1$  TTL Gate and  $100\text{ pF}$  (unless otherwise noted).

| Symbol                   | Parameter                                           | Test Condition                                                                                                                                                                       | Min                                                                                                                                                                                  | Typ                      | Max                       | Units        |
|--------------------------|-----------------------------------------------------|--------------------------------------------------------------------------------------------------------------------------------------------------------------------------------------|--------------------------------------------------------------------------------------------------------------------------------------------------------------------------------------|--------------------------|---------------------------|--------------|
| $f_{CLK}$                | CLK Clock Frequency                                 | $4.5\text{V} \leq V_{CC} \leq 5.5\text{V}$<br>$2.7\text{V} \leq V_{CC} \leq 5.5\text{V}$<br>$2.5\text{V} \leq V_{CC} \leq 5.5\text{V}$<br>$1.8\text{V} \leq V_{CC} \leq 5.5\text{V}$ | 0<br>0<br>0<br>0                                                                                                                                                                     |                          | 1<br>1<br>0.5<br>0.25     | MHz          |
| $t_{CKH}$                | CLK High Time                                       | $4.5\text{V} \leq V_{CC} \leq 5.5\text{V}$<br>$2.7\text{V} \leq V_{CC} \leq 5.5\text{V}$<br>$2.5\text{V} \leq V_{CC} \leq 5.5\text{V}$<br>$1.8\text{V} \leq V_{CC} \leq 5.5\text{V}$ | 250<br>250<br>500<br>1000                                                                                                                                                            |                          |                           | ns           |
| $t_{CKL}$                | CLK Low Time                                        | $4.5\text{V} \leq V_{CC} \leq 5.5\text{V}$<br>$2.7\text{V} \leq V_{CC} \leq 5.5\text{V}$<br>$2.5\text{V} \leq V_{CC} \leq 5.5\text{V}$<br>$1.8\text{V} \leq V_{CC} \leq 5.5\text{V}$ | 250<br>250<br>500<br>1000                                                                                                                                                            |                          |                           | ns           |
| $t_{CS}$                 | Minimum CS Low Time                                 | $4.5\text{V} \leq V_{CC} \leq 5.5\text{V}$<br>$2.7\text{V} \leq V_{CC} \leq 5.5\text{V}$<br>$2.5\text{V} \leq V_{CC} \leq 5.5\text{V}$<br>$1.8\text{V} \leq V_{CC} \leq 5.5\text{V}$ | 250<br>250<br>500<br>1000                                                                                                                                                            |                          |                           | ns           |
| $t_{CSS}$                | CS Setup Time                                       | Relative to SK                                                                                                                                                                       | $4.5\text{V} \leq V_{CC} \leq 5.5\text{V}$<br>$2.7\text{V} \leq V_{CC} \leq 5.5\text{V}$<br>$2.5\text{V} \leq V_{CC} \leq 5.5\text{V}$<br>$1.8\text{V} \leq V_{CC} \leq 5.5\text{V}$ | 50<br>50<br>100<br>200   |                           | ns           |
| $t_{DIS}$                | DI Setup Time                                       | Relative to SK                                                                                                                                                                       | $4.5\text{V} \leq V_{CC} \leq 5.5\text{V}$<br>$2.7\text{V} \leq V_{CC} \leq 5.5\text{V}$<br>$2.5\text{V} \leq V_{CC} \leq 5.5\text{V}$<br>$1.8\text{V} \leq V_{CC} \leq 5.5\text{V}$ | 100<br>100<br>200<br>400 |                           | ns           |
| $t_{CSH}$                | CS Hold Time                                        | Relative to SK                                                                                                                                                                       |                                                                                                                                                                                      | 0                        |                           | ns           |
| $t_{DIH}$                | DI Hold Time                                        | Relative to SK                                                                                                                                                                       | $4.5\text{V} \leq V_{CC} \leq 5.5\text{V}$<br>$2.7\text{V} \leq V_{CC} \leq 5.5\text{V}$<br>$2.5\text{V} \leq V_{CC} \leq 5.5\text{V}$<br>$1.8\text{V} \leq V_{CC} \leq 5.5\text{V}$ | 100<br>100<br>200<br>400 |                           | ns           |
| $t_{PD1}$                | Output Delay to '1'                                 | AC Test                                                                                                                                                                              | $4.5\text{V} \leq V_{CC} \leq 5.5\text{V}$<br>$2.7\text{V} \leq V_{CC} \leq 5.5\text{V}$<br>$2.5\text{V} \leq V_{CC} \leq 5.5\text{V}$<br>$1.8\text{V} \leq V_{CC} \leq 5.5\text{V}$ |                          | 250<br>250<br>500<br>1000 | ns           |
| $t_{PD0}$                | Output Delay to '0'                                 | AC Test                                                                                                                                                                              | $4.5\text{V} \leq V_{CC} \leq 5.5\text{V}$<br>$2.7\text{V} \leq V_{CC} \leq 5.5\text{V}$<br>$2.5\text{V} \leq V_{CC} \leq 5.5\text{V}$<br>$1.8\text{V} \leq V_{CC} \leq 5.5\text{V}$ |                          | 250<br>250<br>500<br>1000 | ns           |
| $t_{RBD}$                | RDY/ $\overline{\text{BUSY}}$ Delay to Status Valid | AC Test                                                                                                                                                                              | $4.5\text{V} \leq V_{CC} \leq 5.5\text{V}$<br>$2.7\text{V} \leq V_{CC} \leq 5.5\text{V}$<br>$2.5\text{V} \leq V_{CC} \leq 5.5\text{V}$<br>$1.8\text{V} \leq V_{CC} \leq 5.5\text{V}$ |                          | 250<br>250<br>500<br>1000 | ns           |
| $t_{CZ}$                 | CS to DO in High Impedance                          | AC Test<br>$CS = V_{IL}$                                                                                                                                                             | $4.5\text{V} \leq V_{CC} \leq 5.5\text{V}$<br>$2.7\text{V} \leq V_{CC} \leq 5.5\text{V}$<br>$2.5\text{V} \leq V_{CC} \leq 5.5\text{V}$<br>$1.8\text{V} \leq V_{CC} \leq 5.5\text{V}$ |                          | 100<br>100<br>200<br>400  | ns           |
| $t_{WC}$                 | Write Cycle Time                                    |                                                                                                                                                                                      |                                                                                                                                                                                      | 0.1                      | 10                        | ms           |
| Endurance <sup>(1)</sup> | 5.0V, 25°C, Page Mode                               |                                                                                                                                                                                      |                                                                                                                                                                                      | 1M                       |                           | Write Cycles |

Note: 1. This parameter is characterized and is not 100% tested.

### Instruction Set for the AT59C11

| Instruction | SB | Op Code | Address                         |                                 | Data                            |                                  | Comments                                                                   |
|-------------|----|---------|---------------------------------|---------------------------------|---------------------------------|----------------------------------|----------------------------------------------------------------------------|
|             |    |         | x 8                             | x 16                            | x 8                             | x 16                             |                                                                            |
| READ        | 1  | 10XX    | A <sub>6</sub> - A <sub>0</sub> | A <sub>5</sub> - A <sub>0</sub> |                                 |                                  | Reads data stored in memory, at specified address.                         |
| EWEN        | 1  | 0011    | XXXXXXXX                        | XXXXXX                          |                                 |                                  | Write enable must precede all programming modes.                           |
| WRITE       | 1  | X1XX    | A <sub>6</sub> - A <sub>0</sub> | A <sub>5</sub> - A <sub>0</sub> | D <sub>7</sub> - D <sub>0</sub> | D <sub>15</sub> - D <sub>0</sub> | Writes memory location A <sub>n</sub> - A <sub>0</sub> .                   |
| ERAL        | 1  | 0010    | XXXXXXXX                        | XXXXXX                          |                                 |                                  | Erases all memory locations. Valid only at V <sub>CC</sub> = 4.5V to 5.5V. |
| WRAL        | 1  | 0001    | XXXXXXXX                        | XXXXXX                          | D <sub>7</sub> - D <sub>0</sub> | D <sub>15</sub> - D <sub>0</sub> | Writes all memory locations. Valid only at V <sub>CC</sub> = 4.5V to 5.5V. |
| EWDS        | 1  | 0000    | XXXXXXXX                        | XXXXXX                          |                                 |                                  | Disables all programming instructions.                                     |

### Instruction Set for the AT59C22

| Instruction | SB | Op Code | Address                         |                                 | Data                            |                                  | Comments                                                                                           |
|-------------|----|---------|---------------------------------|---------------------------------|---------------------------------|----------------------------------|----------------------------------------------------------------------------------------------------|
|             |    |         | x 8                             | x 16                            | x 8                             | x 16                             |                                                                                                    |
| READ        | 1  | 10XX    | A <sub>7</sub> - A <sub>0</sub> | A <sub>6</sub> - A <sub>0</sub> |                                 |                                  | Reads data stored in memory, at specified address.                                                 |
| EWEN        | 1  | 0011    | XXXXXXXX                        | XXXXXXXX                        |                                 |                                  | Write enable must precede all programming modes.                                                   |
| WRITE       | 1  | X1XX    | A <sub>7</sub> - A <sub>0</sub> | A <sub>6</sub> - A <sub>0</sub> | D <sub>7</sub> - D <sub>0</sub> | D <sub>15</sub> - D <sub>0</sub> | Writes memory location A <sub>n</sub> - A <sub>0</sub> .                                           |
| ERAL        | 1  | 0010    | XXXXXXXX                        | XXXXXXXX                        |                                 |                                  | Erases all memory locations. Valid only at V <sub>CC</sub> = 4.5V to 5.5V.                         |
| WRAL        | 1  | 0001    | XXXXXXXX                        | XXXXXXXX                        | D <sub>7</sub> - D <sub>0</sub> | D <sub>15</sub> - D <sub>0</sub> | Writes all memory locations. Valid when V <sub>CC</sub> = 5.0V ± 10% and Disable Register cleared. |
| EWDS        | 1  | 0000    | XXXXXXXX                        | XXXXXXXX                        |                                 |                                  | Disables all programming instructions.                                                             |



## Instruction Set for the AT59C13

| Instruction | SB | Op Code | Address                         |                                 | Data                            |                                  | Comments                                                                                           |
|-------------|----|---------|---------------------------------|---------------------------------|---------------------------------|----------------------------------|----------------------------------------------------------------------------------------------------|
|             |    |         | x 8                             | x 16                            | x 8                             | x 16                             |                                                                                                    |
| READ        | 1  | 10XX    | A <sub>8</sub> - A <sub>0</sub> | A <sub>7</sub> - A <sub>0</sub> |                                 |                                  | Reads data stored in memory, at specified address.                                                 |
| EWEN        | 1  | 0011    | XXXXXXXXXX                      | XXXXXXXXXX                      |                                 |                                  | Write enable must precede all programming modes.                                                   |
| WRITE       | 1  | X1XX    | A <sub>8</sub> - A <sub>0</sub> | A <sub>7</sub> - A <sub>0</sub> | D <sub>7</sub> - D <sub>0</sub> | D <sub>15</sub> - D <sub>0</sub> | Writes memory location A <sub>n</sub> - A <sub>0</sub> .                                           |
| ERAL        | 1  | 0010    | XXXXXXXXXX                      | XXXXXXXXXX                      |                                 |                                  | Erases all memory locations. Valid only at V <sub>CC</sub> = 4.5V to 5.5V.                         |
| WRAL        | 1  | 0001    | XXXXXXXXXX                      | XXXXXXXXXX                      | D <sub>7</sub> - D <sub>0</sub> | D <sub>15</sub> - D <sub>0</sub> | Writes all memory locations. Valid when V <sub>CC</sub> = 5.0V ± 10% and Disable Register cleared. |
| EWDS        | 1  | 0000    | XXXXXXXXXX                      | XXXXXXXXXX                      |                                 |                                  | Disables all programming instructions.                                                             |

## Functional Description

The AT59C11/22/13 are accessed via a simple and versatile 4-wire serial communication interface. Device operation is controlled by six instructions issued by the host processor. **A valid instruction starts with a rising edge of CS** and consists of a Start Bit (logic '1') followed by the appropriate Op Code and the desired memory Address location.

**READ (READ):** The Read (READ) instruction contains the Address code for the memory location to be read. After the instruction and address are decoded, data from the selected memory location is available at the serial output pin DO. Output data changes are synchronized with the rising edges of serial clock CLK. It should be noted that a dummy bit (logic '0') precedes the 8- or 16-bit data output string.

**ERASE/WRITE (EWEN):** To assure data integrity, the part automatically goes into the Erase/Write Disable (EWDS) state when power is first applied. An Erase/Write Enable (EWEN) instruction must be executed first before any programming instructions can be carried out. Please note that once in the Erase/Write Enable state, programming remains enabled until an Erase/Write Disable (EWDS) instruction is executed or  $V_{CC}$  power is removed from the part.

**WRITE (WRITE):** The Write (WRITE) instruction contains the 8 or 16 bits of data to be written into the specified memory location. The self-timed programming cycle,  $t_{WP}$ , starts

after the last bit of data is received at serial data input pin DI. The Ready/Busy status of the AT59C11/22/13 can be determined by polling the RDY/BUSY pin. A logic '0' at RDY/BUSY indicates that programming is still in progress. A logic '1' indicates that the memory location at the specified address has been written with the data pattern contained in the instruction and the part is ready for further instructions.

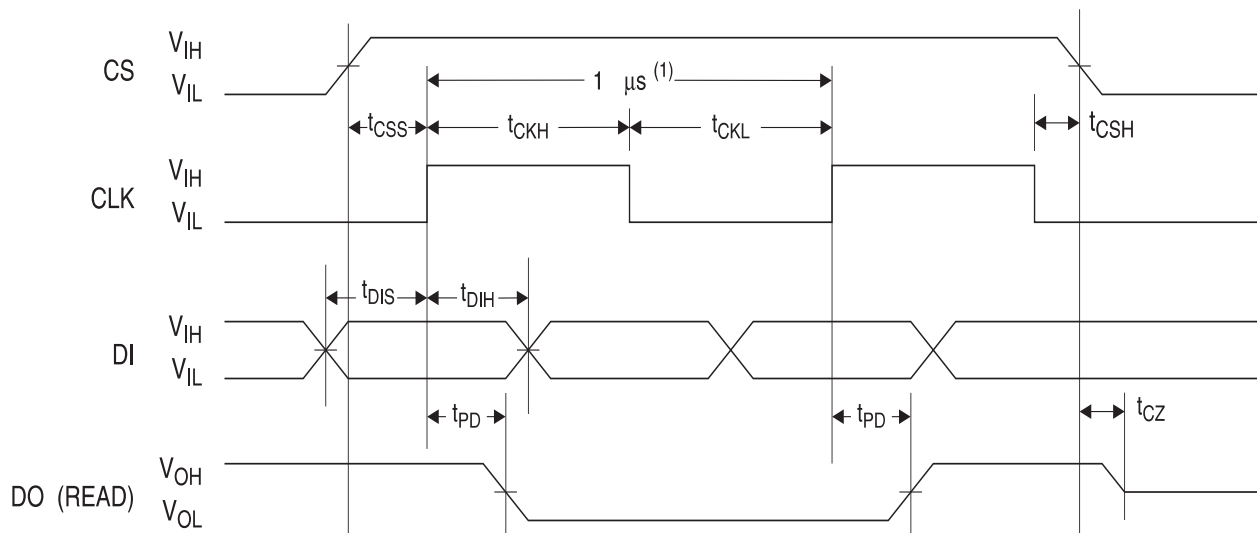
**ERASE ALL (ERAL):** The Erase All (ERAL) instruction programs every bit in the memory array to the logic '1' state and is primarily used for testing purposes. The Ready/Busy status of the AT59C11/22/13 can be determined by polling the RDY/BUSY pin. The ERAL instruction is valid only at  $V_{CC} = 5.0V \pm 10\%$ .

**WRITE ALL (WRAL):** The Write All (WRAL) instruction programs all memory locations with the data patterns specified in the instruction. The Ready/Busy status of the AT59C11/22/13 can be determined by polling the RDY/BUSY pin. The WRAL instruction is valid only at  $V_{CC} = 5.0V \pm 10\%$ .

**ERASE/WRITE DISABLE (EWDS):** To protect against accidental data disturb, the Erase/Write Disable (EWDS) instruction disables all programming modes and should be executed after all programming operations. The operation of the READ instruction is independent of both the EWEN and EWDS instructions and can be executed at any time.

## Timing Diagrams

### Synchronous Data Timing



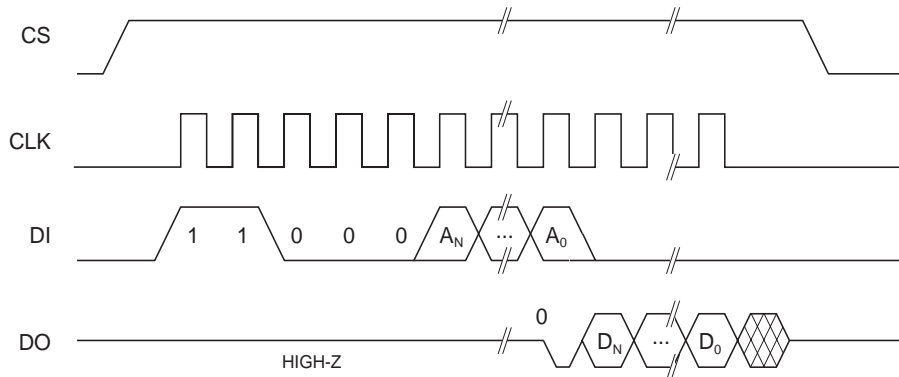
Note: 1. This is the minimum CLK period.



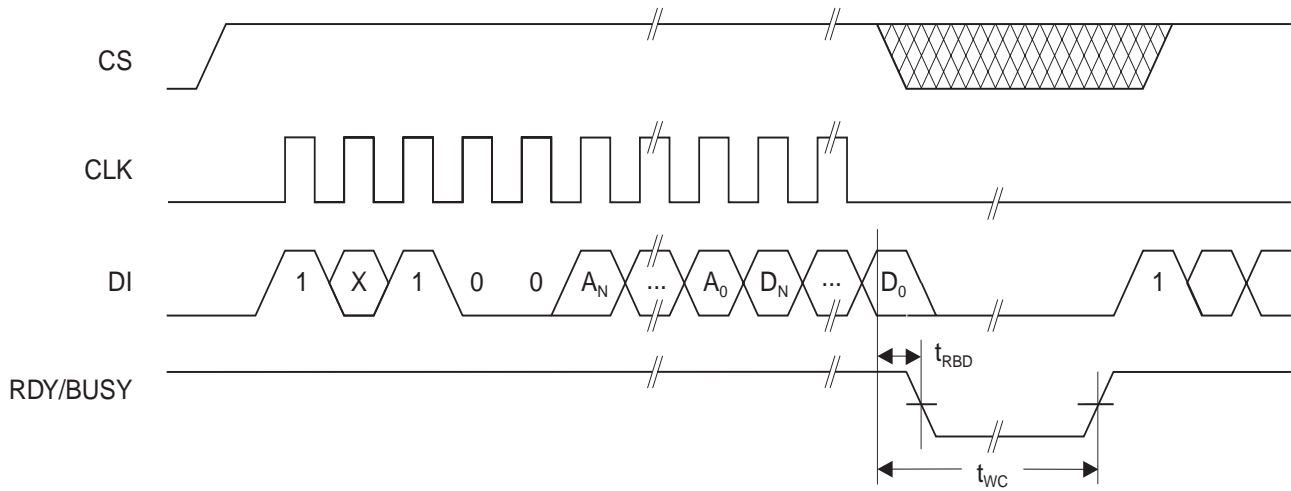
## Organization Key for Timing Diagrams

| I/O            | Density 1K     |                 | Density 2K     |                 | Density 4K     |                 |
|----------------|----------------|-----------------|----------------|-----------------|----------------|-----------------|
|                | x 8            | x 16            | x 8            | x 16            | x 8            | x 16            |
| A <sub>N</sub> | A <sub>6</sub> | A <sub>5</sub>  | A <sub>7</sub> | A <sub>6</sub>  | A <sub>8</sub> | A <sub>7</sub>  |
| D <sub>N</sub> | D <sub>7</sub> | D <sub>15</sub> | D <sub>7</sub> | D <sub>15</sub> | D <sub>7</sub> | D <sub>15</sub> |

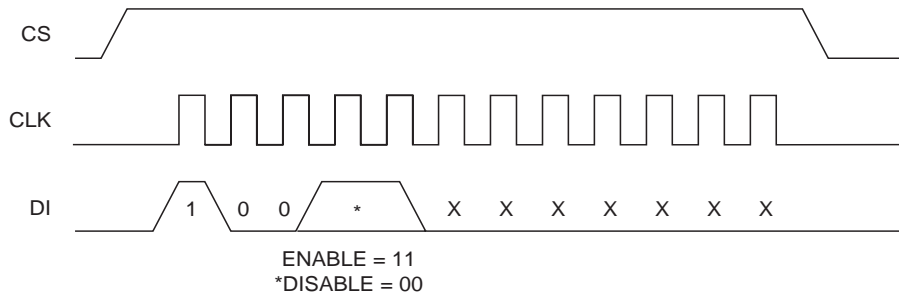
### READ Timing



### WRITE Timing

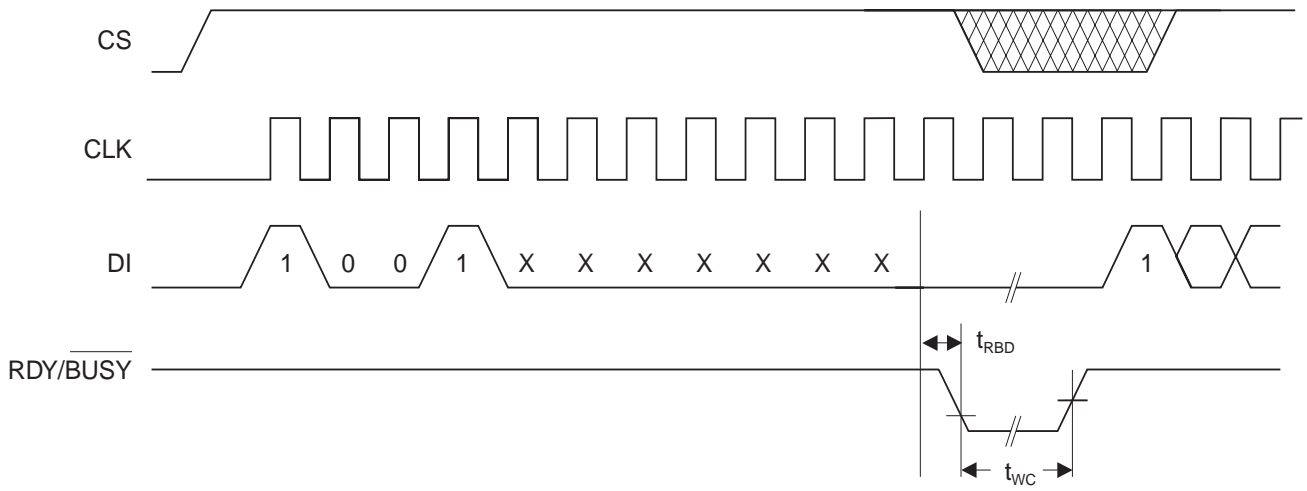


### EWEN/EWDS Timing

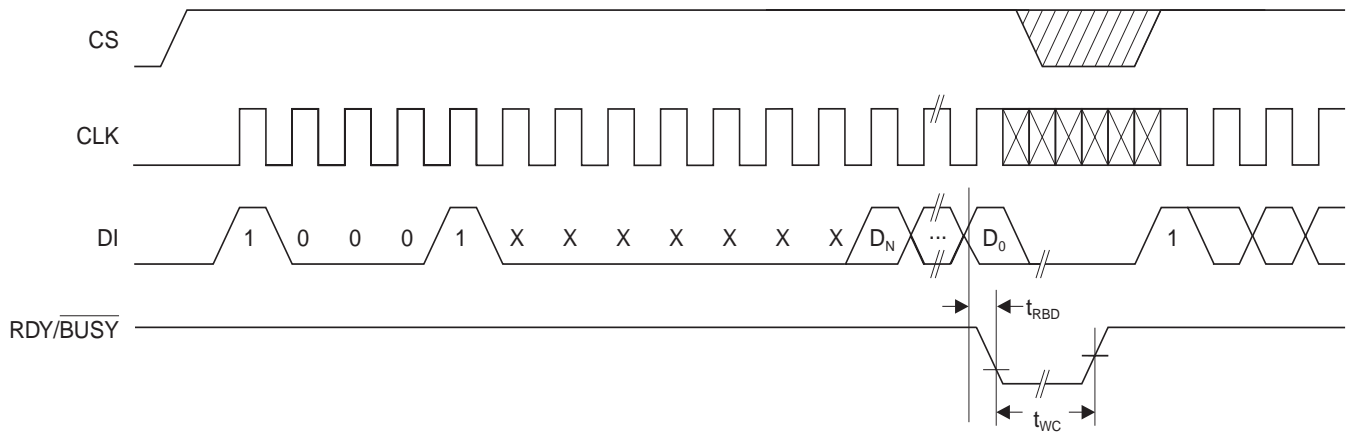




**ERAL Timing**



**WRAL Timing**



## AT59C11 Ordering Information

| $t_{WC}$ (max)<br>(ms) | $I_{CC}$ (max)<br>( $\mu A$ ) | $I_{SB}$ (max)<br>( $\mu A$ ) | $f_{MAX}$<br>(kHz) | Ordering Code                         | Package    | Operation Range               |
|------------------------|-------------------------------|-------------------------------|--------------------|---------------------------------------|------------|-------------------------------|
| 10                     | 2000                          | 30.0                          | 1000               | AT59C11-10PC<br>AT59C11W-10SC         | 8P3<br>8S2 | Commercial<br>(0°C to 70°C)   |
|                        |                               | 30.0                          | 1000               | AT59C11-10PI<br>AT59C11W-10SI         | 8P3<br>8S2 | Industrial<br>(-40°C to 85°C) |
| 10                     | 800                           | 10.0                          | 1000               | AT59C11-10PC-2.7<br>AT59C11W-10SC-2.7 | 8P3<br>8S2 | Commercial<br>(0°C to 70°C)   |
|                        |                               | 10.0                          | 1000               | AT59C11-10PI-2.7<br>AT59C11W-10SI-2.7 | 8P3<br>8S2 | Industrial<br>(-40°C to 85°C) |
| 10                     | 600                           | 10.0                          | 500                | AT59C11-10PC-2.5<br>AT59C11W-10SC-2.5 | 8P3<br>8S2 | Commercial<br>(0°C to 70°C)   |
|                        |                               | 10.0                          | 500                | AT59C11-10PI-2.5<br>AT59C11W-10SI-2.5 | 8P3<br>8S2 | Industrial<br>(-40°C to 85°C) |

| Package Type |                                                                  |
|--------------|------------------------------------------------------------------|
| <b>8P3</b>   | 8-Lead, 0.300" Wide, Plastic Dual Inline Package (PDIP)          |
| <b>8S2</b>   | 8-Lead, 0.200" Wide, Plastic Gull Wing Small Outline (EIAJ SOIC) |
| Options      |                                                                  |
| <b>Blank</b> | Standard Device (4.5V to 5.5V)                                   |
| <b>-2.7</b>  | Low-Voltage (2.7V to 5.5V)                                       |
| <b>-2.5</b>  | Low-Voltage (2.5V to 5.5V)                                       |

### AT59C22 Ordering Information

| $t_{WC}$ (max)<br>(ms) | $I_{CC}$ (max)<br>( $\mu A$ ) | $I_{SB}$ (max)<br>( $\mu A$ ) | $f_{MAX}$<br>(kHz) | Ordering Code                         | Package    | Operation Range               |
|------------------------|-------------------------------|-------------------------------|--------------------|---------------------------------------|------------|-------------------------------|
| 10                     | 2000                          | 30.0                          | 1000               | AT59C22-10PC<br>AT59C22W-10SC         | 8P3<br>8S2 | Commercial<br>(0°C to 70°C)   |
|                        |                               | 30.0                          | 1000               | AT59C22-10PI<br>AT59C22W-10SI         | 8P3<br>8S2 | Industrial<br>(-40°C to 85°C) |
| 10                     | 800                           | 10.0                          | 1000               | AT59C22-10PC-2.7<br>AT59C22W-10SC-2.7 | 8P3<br>8S2 | Commercial<br>(0°C to 70°C)   |
|                        |                               | 10.0                          | 1000               | AT59C22-10PI-2.7<br>AT59C22W-10SI-2.7 | 8P3<br>8S2 | Industrial<br>(-40°C to 85°C) |
| 10                     | 600                           | 10.0                          | 500                | AT59C22-10PC-2.5<br>AT59C22W-10SC-2.5 | 8P3<br>8S2 | Commercial<br>(0°C to 70°C)   |
|                        |                               | 10.0                          | 500                | AT59C22-10PI-2.5<br>AT59C22W-10SI-2.5 | 8P3<br>8S2 | Industrial<br>(-40°C to 85°C) |

| Package Type |                                                                  |
|--------------|------------------------------------------------------------------|
| <b>8P3</b>   | 8-Lead, 0.300" Wide, Plastic Dual Inline Package (PDIP)          |
| <b>8S2</b>   | 8-Lead, 0.200" Wide, Plastic Gull Wing Small Outline (EIAJ SOIC) |
| Options      |                                                                  |
| <b>Blank</b> | Standard Device (4.5V to 5.5V)                                   |
| <b>-2.7</b>  | Low-Voltage (2.7V to 5.5V)                                       |
| <b>-2.5</b>  | Low-Voltage (2.5V to 5.5V)                                       |



## AT59C13 Ordering Information

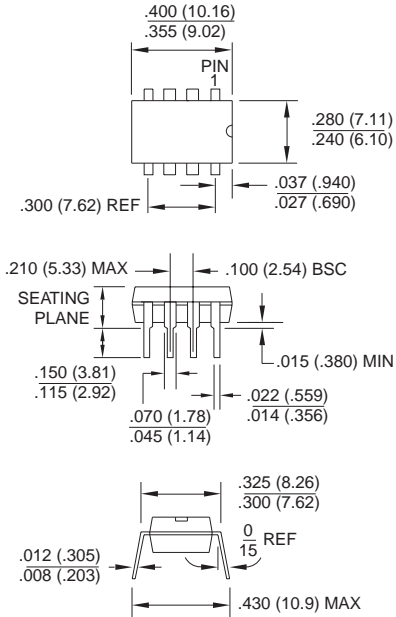
| $t_{WC}$ (max)<br>(ms) | $I_{CC}$ (max)<br>( $\mu A$ ) | $I_{SB}$ (max)<br>( $\mu A$ ) | $f_{MAX}$<br>(kHz) | Ordering Code                         | Package    | Operation Range               |
|------------------------|-------------------------------|-------------------------------|--------------------|---------------------------------------|------------|-------------------------------|
| 10                     | 2000                          | 30.0                          | 1000               | AT59C13-10PC<br>AT59C13W-10SC         | 8P3<br>8S2 | Commercial<br>(0°C to 70°C)   |
|                        |                               | 30.0                          | 1000               | AT59C13-10PI<br>AT59C13W-10SI         | 8P3<br>8S2 | Industrial<br>(-40°C to 85°C) |
| 10                     | 800                           | 10.0                          | 1000               | AT59C13-10PC-2.7<br>AT59C13W-10SC-2.7 | 8P3<br>8S2 | Commercial<br>(0°C to 70°C)   |
|                        |                               | 10.0                          | 1000               | AT59C13-10PI-2.7<br>AT59C13W-10SI-2.7 | 8P3<br>8S2 | Industrial<br>(-40°C to 85°C) |
| 10                     | 600                           | 10.0                          | 500                | AT59C13-10PC-2.5<br>AT59C13W-10SC-2.5 | 8P3<br>8S2 | Commercial<br>(0°C to 70°C)   |
|                        |                               | 10.0                          | 500                | AT59C13-10PI-2.5<br>AT59C13W-10SI-2.5 | 8P3<br>8S2 | Industrial<br>(-40°C to 85°C) |

| Package Type |                                                                  |
|--------------|------------------------------------------------------------------|
| <b>8P3</b>   | 8-Lead, 0.300" Wide, Plastic Dual Inline Package (PDIP)          |
| <b>8S2</b>   | 8-Lead, 0.200" Wide, Plastic Gull Wing Small Outline (EIAJ SOIC) |
| Options      |                                                                  |
| <b>Blank</b> | Standard Device (4.5V to 5.5V)                                   |
| <b>-2.7</b>  | Low-Voltage (2.7V to 5.5V)                                       |
| <b>-2.5</b>  | Low-Voltage (2.5V to 5.5V)                                       |

Packaging Information

**8P3**, 8-Lead, 0.300" Wide, Plastic Dual Inline Package (PDIP)  
 Dimensions in Inches and (Millimeters)

JEDEC STANDARD MS-001 BA



**8S2**, 8-Lead, 0.200" Wide, Plastic Gull Wing Small Outline (EIAJ SOIC)  
 Dimensions in Inches and (Millimeters)

Dimensions in Inches and (Millimeters)

