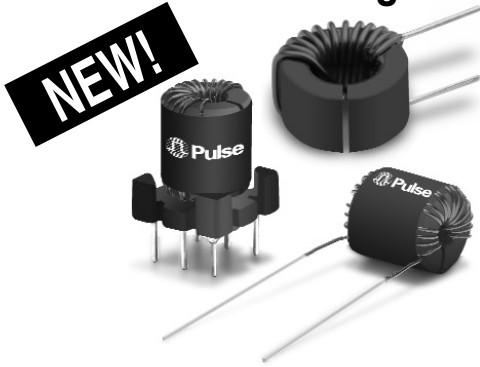


THT POWER INDUCTORS

For Class D and Digital Amplifier Applications



NEW!

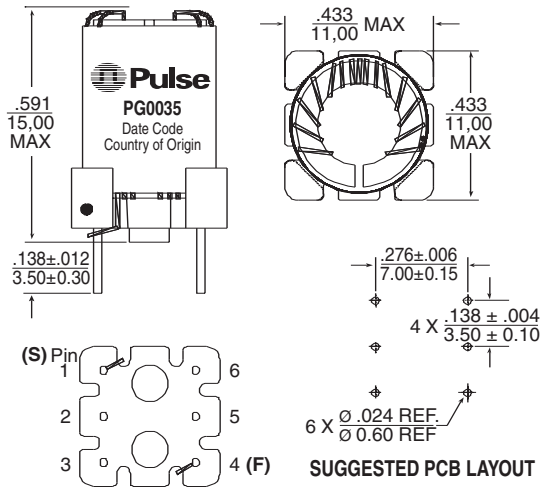
- Low cost, using gapped toroid technology
- Designed to match Zetex IC ZXCD1000 (PG0035, PG0036 and PG0058) and ZXCW8100 (PG0058)
- Robust with high performance

Electrical Specifications @ 25°C — Operating Temperature -40°C to +125°C

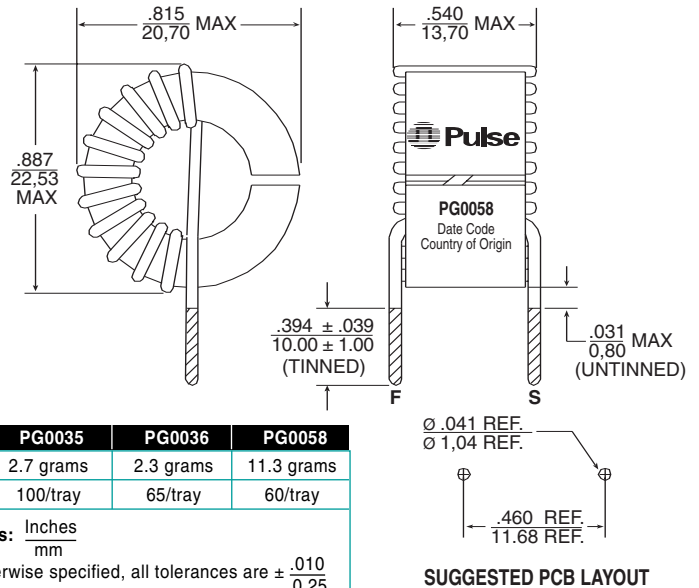
Part Number	Inductance @ I _{rated} (μH TYP)	I _{rated} ² (A)	DCR (mΩ)		Inductance @ 0A _{DC} (μH ±10%)	Saturation Current I _{SAT} ³ (A)			Heating Current I _{DC} ⁴ (A)
			TYP	MAX		@ -40°C	@ 25°C	@ 120°C	
PG0035 (with base)	19.5	3	66	93	20	7.0	6.0	4.0	3
PG0036	19.5	3	74	93	20	7.0	6.0	4.0	3
PG0058	19.5	8	8.6	12	20	8.5	8.0	7.0	11

Mechanicals

PG0035

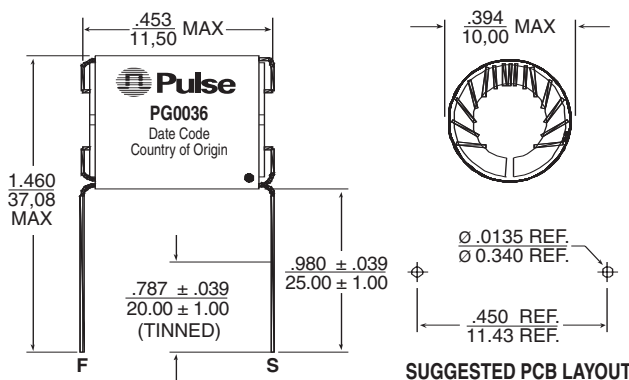


PG0058

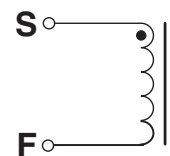


	PG0035	PG0036	PG0058
Weight	2.7 grams	2.3 grams	11.3 grams
Tray	100/tray	65/tray	60/tray
Dimensions:	Inches / mm		
Unless otherwise specified, all tolerances are ± .010 / 0.25			

PG0036



Schematic

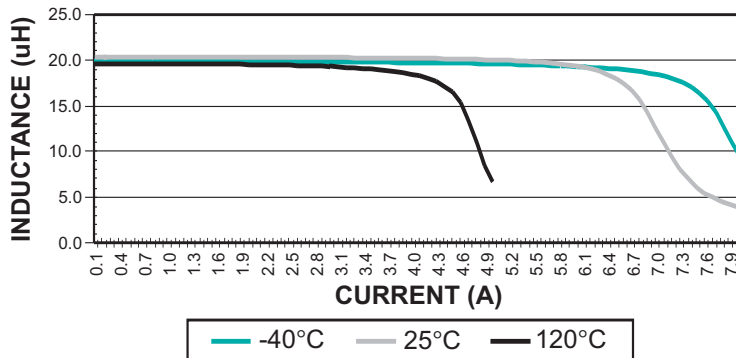


PG0035 / PG0036 / PG0058

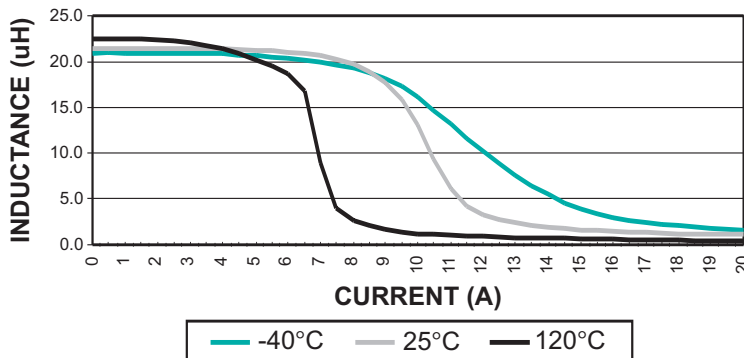
Notes from Table

1. Inductance at I_{rated} is a typical inductance value measured when the inductor is subjected to the rated current.
2. The rated current as listed is either the saturation current @ 25°C or the heating current depending on which value is lower.
3. The saturation current I_{sat} is the current which causes the inductance to drop by 10% at the stated ambient temperatures (-40°C, 25°C, 120°C). This current is determined by placing the component in the specified ambient environment and applying a short duration pulse current (to eliminate self-heating effects) to the component.
4. The heating current I_{dc} is the dc current which causes the temperature rise of the part to increase by approximately 40°C. This current is determined by mounting the component on a typical application PCB and applying the current to the device for 30 minutes.
5. **PG0035** and **PG0036** is used for the 25W~50W version of ZXCD1000 chipset while **PG0058** is used for the 100W version of ZXCD1000 and for the new digital audio amplifier chipset ZXCW8100.

PG0035/36 TYPICAL INDUCTANCE VS. DC BIAS At Different Ambient Temperature



PG0058 TYPICAL INDUCTANCE VS. DC BIAS At Different Ambient Temperature



For More Information :

UNITED STATES (Worldwide)	UNITED KINGDOM (Northern Europe)	FRANCE (Southern Europe)	SINGAPORE (Southern Asia)	TAIWAN, R.O.C. (Northern Asia)	HONG KONG (China/Hong Kong)	DISTRIBUTOR
12220 World Trade Drive San Diego, CA 92128 U.S.A. http://www.pulseeng.com TEL: 858 674 8100 FAX: 858 674 8262	1 & 2 Huxley Road The Surrey Research Park Guildford, Surrey GU2 5RE United Kingdom TEL: 44 1483 401700 FAX: 44 1483 401701	Zone Industrielle F-39270 Orgelet France TEL: 33 3 84 35 04 04 FAX: 33 3 84 25 46 41	150 Kampong Ampat #07-01/02 KA Centre Singapore 368324 TEL: 65 6287 8998 FAX: 65 6280 0080	3F-4, No. 81, Sec. 1 HsinTai Wu Road Hsi-Chih, Taipei Hsien Taiwan, R.O.C. Tel: 886 2 2698 0228 FAX: 886 2 2698 0948	9/F, Phase 2, Tai Sang Shatin Warehouse Centre 6 Wong Chuk Yeung Street Fotan, Shatin, Hong Kong TEL: 852 2788 6588 FAX: 852 2776 1055	

Performance warranty of products offered on this data sheet is limited to the parameters specified. Data is subject to change without notice. Other brand and product names mentioned herein may be trademarks or registered trademarks of their respective owners.

♻️ Printed on recycled paper. © 2003, Pulse Engineering, Inc.

P554.A (3/03)