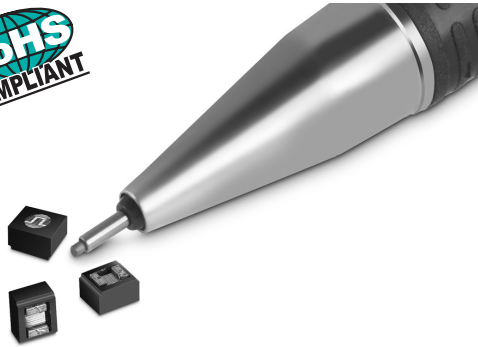


# SMT POWER INDUCTORS

## Shielded Drum Core - PG0048NL Series



- Height:** 1.8mm Max
- Footprint:** 2.97mm x 2.54mm Max
- Current Rating:** up to .35A
- Inductance Range:** 6 $\mu$ H to 282 $\mu$ H

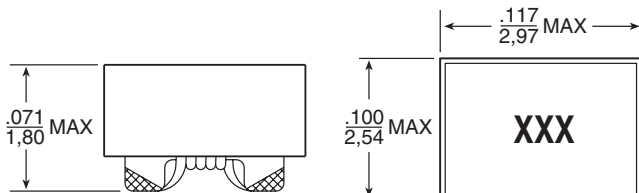
### Electrical Specifications @ 25°C — Operating Temperature -40°C to +125°C

Part <sup>2,3</sup> Number	Inductance @0Adc ( $\mu$ H $\pm$ 20%)	Inductance @Irated ( $\mu$ H TYP)	Irated <sup>5</sup> (mA)	DCR ( $\Omega$ )		Saturation <sup>6</sup> Current IsAT -40% (mA)	Heating <sup>7</sup> Current Idc +40°C (mA)	Q@1MHz (MIN)	SRF (MHz TYP)
				TYP	MAX				
PG0048.103NL	10	6.0	350	0.5	0.8	350	560	10	160
PG0048.153NL	15	9.0	226	1.1	1.3	226	440	10	110
PG0048.223NL	22	13.2	220	1.3	1.5	220	390	10	80
PG0048.333NL	33	19.8	176	1.7	1.9	176	330	15	50
PG0048.473NL	47	28.2	140	2.1	2.4	140	300	15	35
PG0048.683NL	68	40.8	110	2.4	2.6	110	260	15	25
PG0048.104NL	100	60	96	3.0	3.3	96	240	15	20
PG0048.154NL	150	90	80	6.2	6.5	80	180	15	15
PG0048.224NL	220	132	66	6.8	7.4	66	160	15	10
PG0048.334NL	330	198	55	10.5	11.2	55	140	15	5
PG0048.474NL	470	282	45	13.2	14.0	45	120	15	3

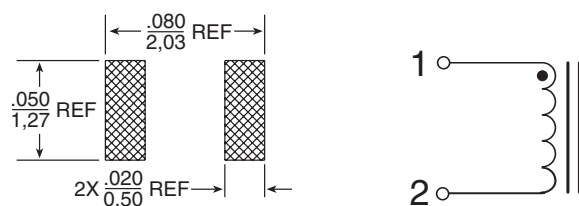
NOTES FROM TABLE: (See page 43)

### Mechanical

### Schematic

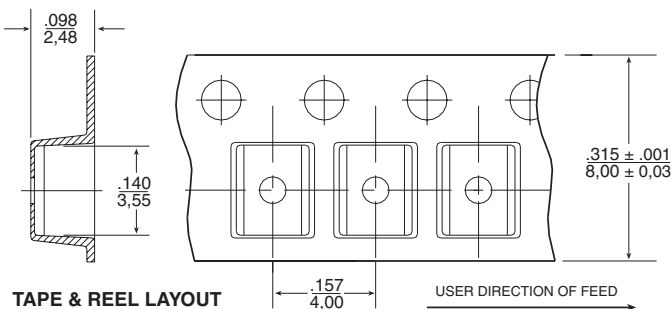


#### SUGGESTED PAD LAYOUT



Weight .....0.1 grams  
Tape & Reel.....1600/reel

Dimensions: Inches  
mm  
Unless otherwise specified,  
all tolerances are  $\pm$  .010  
0,25



#### Inductance vs Current Characteristics

