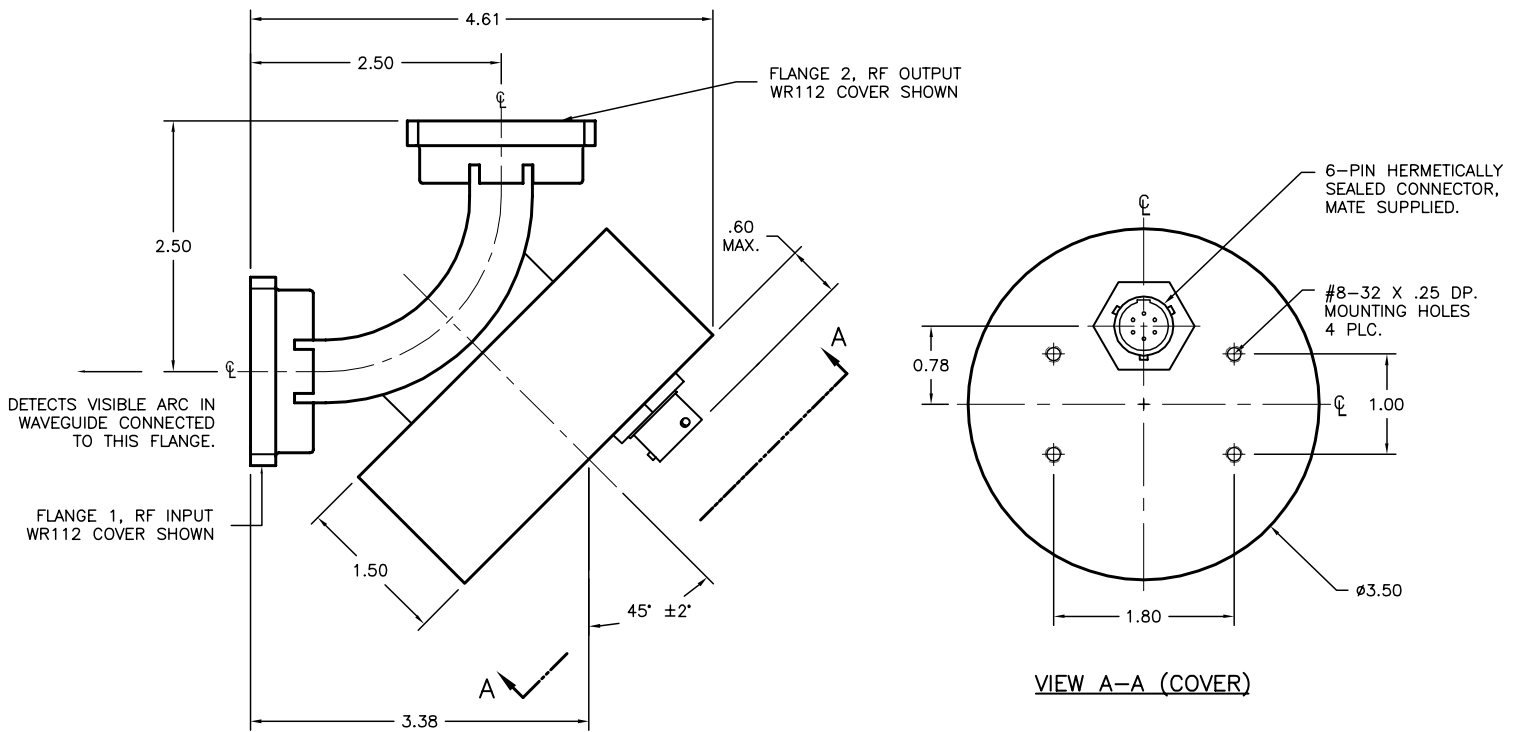


| | | | |
|-------|----------|---------------|---|
| REV A | AUTH RL | DATE 06/07/02 | INITIAL RELEASE |
| REV B | AUTH RL | DATE 01/28/03 | REVISED, ADDED NOTES |
| REV C | AUTH JLE | DATE 08/16/04 | FLANGE 1, 2 NOTED, CLARIFIED. ARC DIRECTION NOTE ADDED. |
| REV D | AUTH RL | DATE 05/16/06 | FORMAT UPDATED, MOUNTING HOLE LOCATIONS CORRECTED. |



NOTES:
 1. BEND IS 90° E-PLANE WR112 WAVEGUIDE.

| | | | | | | | |
|---|--|-----------------|----------|---|---|-----------|--|
| THIRD ANGLE PROJECTION: | | APPROVALS | DATE | ADVANCED TECHNICAL MATERIALS, INC. TEL: (631) 289-0363 FAX: (631) 289-0358 www.atmmicrowave.com | THE INFORMATION IN THIS DRAWING IS PROPRIETARY AND SHALL NOT BE USED OR DISCLOSED WITHOUT THE PRIOR WRITTEN CONSENT OF ATM INC. DO NOT SCALE DWG. | | |
| UNLESS OTHERWISE NOTED, DIMENSIONS ARE IN INCHES, TOLERANCES ARE: FRACTIONS: ±1/64 ANGLES: ±1/2° | | DRAWN RL | 05/16/06 | | OUTLINE, WR112 W/G ARC DETECTOR | | |
| BASIC DIMENSION | | CHKD. | APPRD. | SIZE A | | | |
| UNDER 6" ±.02 ±.005 | | MATERIAL ALUM. | | SCALE NONE | MODEL # 112-ARCE-X-6-6 | SHEET 1/1 | |
| 6" - 12" ±.03 ±.010 | | TREATMENT - | | | | | |
| OVER 12" ±.06 ±.015 | | FINISH ATM GRAY | | | | | |