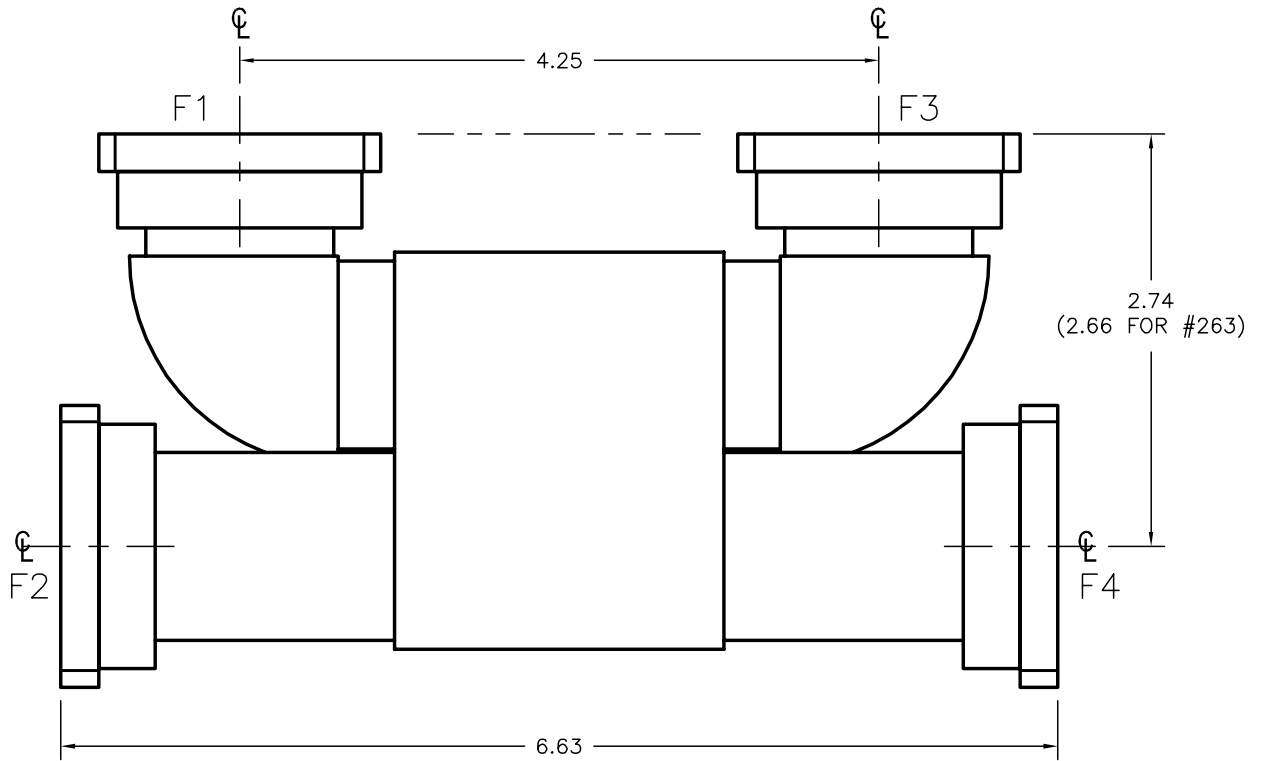


REV A	AUTH JLE	DATE 10/16/02	INITIAL RELEASE
REV B	AUTH RL	DATE 10/26/06	FREQ. NOTES CORRECTED; ILLUSTRATION, FORMAT UPDATED.



FLANGE TYPE
1 = CPRG
2 = CPRF
3 = CMR STANDARD
4 = CMR CLEAR
5 = CMR TAP
6 = UG COVER
7 = UG CHOKE
8 = COVER-GRV.

FREQUENCY	MODEL
6.90-8.00 GHz	112-261X-Z-F1-F2-F3-F4
7.90-9.00 GHz	112-262X-Z-F1-F2-F3-F4
8.80-10.25 GHz	112-263X-Z-F1-F2-F3-F4
7.50-8.50 GHz	112-264A-Z-F1-F2-F3-F4

NOTE: REPLACE "F1, F2, F3, & F4" NOTATION WITH NUMBER CORRESPONDING TO FLANGE TYPE DESIRED, AS SHOWN ON TABLE ABOVE.

THIRD ANGLE PROJECTION:	APPROVALS	DATE	ADVANCED TECHNICAL MATERIALS, INC. TEL: (631) 289-0363 FAX: (631) 289-0358 www.atmmicrowave.com	<small>THE INFORMATION IN THIS DRAWING IS PROPRIETARY AND SHALL NOT BE USED OR REPRODUCED WITHOUT THE PRIOR WRITTEN CONSENT OF ATM, INC. DO NOT SCALE DIMS.</small>																																											
UNLESS OTHERWISE NOTED, DIMENSIONS ARE IN INCHES. TOLERANCES ARE: FRACTIONS: ±1/64 ANGLES: ±1/2°	DRAWN JLE CHKD. APRVD.	10/16/02		<b>OUTLINE, WR112</b> <b>'Z'-STYLE COMBINER-DIVIDER (HYBRID-COUP.)</b>																																											
<table border="1"> <thead> <tr> <th rowspan="2">BASIC DIMENSION</th> <th colspan="2">DECIMALS</th> <th rowspan="2">MATERIAL</th> <th rowspan="2">PER ORDER</th> <th>SIZE</th> <th rowspan="2">CAGE CODE</th> <th rowspan="2">ATM DWG #</th> <th>REVISION</th> </tr> <tr> <th>2 PLACE</th> <th>3 PLACE</th> <th>A</th> <th>B</th> </tr> </thead> <tbody> <tr> <td>UNDER 6"</td> <td>±.02</td> <td>±.005</td> <td></td> <td></td> <td>A</td> <td>0R8N4</td> <td>5229W</td> <td>B</td> </tr> <tr> <td>6" - 12"</td> <td>±.03</td> <td>±.010</td> <td></td> <td>TREATMENT -</td> <td>SCALE</td> <td>1 : 1</td> <td>MODEL # SEE NOTES</td> <td>SHEET 1/1</td> </tr> <tr> <td>OVER 12"</td> <td>±.06</td> <td>±.015</td> <td></td> <td>FINISH ATM STD. GRAY</td> <td></td> <td></td> <td></td> <td></td> </tr> </tbody> </table>	BASIC DIMENSION	DECIMALS		MATERIAL	PER ORDER	SIZE	CAGE CODE	ATM DWG #	REVISION	2 PLACE	3 PLACE	A	B	UNDER 6"	±.02	±.005			A	0R8N4	5229W	B	6" - 12"	±.03	±.010		TREATMENT -	SCALE	1 : 1	MODEL # SEE NOTES	SHEET 1/1	OVER 12"	±.06	±.015		FINISH ATM STD. GRAY											
BASIC DIMENSION		DECIMALS				MATERIAL			PER ORDER	SIZE	CAGE CODE	ATM DWG #	REVISION																																		
	2 PLACE	3 PLACE	A	B																																											
UNDER 6"	±.02	±.005			A	0R8N4	5229W	B																																							
6" - 12"	±.03	±.010		TREATMENT -	SCALE	1 : 1	MODEL # SEE NOTES	SHEET 1/1																																							
OVER 12"	±.06	±.015		FINISH ATM STD. GRAY																																											