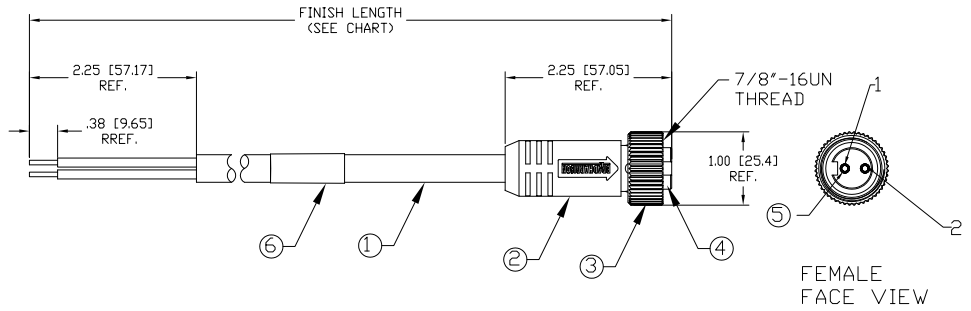
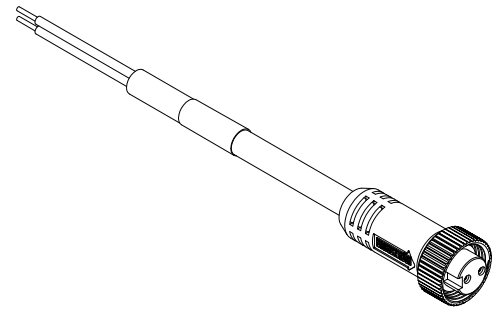


| PART NUMBER | ENGINEERING NUMBER | FINISH LENGTH                       |
|-------------|--------------------|-------------------------------------|
| 1300060088  | 102000A01F030      | 3.00' +1.75' -0 [1.9M +44.5 -0]     |
| 1300060091  | 102000A01F060      | 6.00' +3.50' -0 [1.8M +88.9 -0]     |
| 1300060096  | 102000A01F120      | 12.00' +6.50' -0 [3.7M +165.1 -0]   |
| 1300060099  | 102000A01F150      | 15.00' +6.50' -0 [4.6M +165.1 -0]   |
| 1300060102  | 102000A01F200      | 20.00' +6.50' -0 [6.1M +165.1 -0]   |
| 1300060105  | 102000A01F250      | 25.00' +12.50' -0 [7.6M +317.5 -0]  |
| 1300060108  | 102000A01F300      | 30.00' +12.50' -0 [9.1M +317.5 -0]  |
| 1300060111  | 102000A01F400      | 40.00' +12.50' -0 [12.2M +317.5 -0] |
| 1300060112  | 102000A01F500      | 50.00' +24.50' -0 [15.2M +622.3 -0] |



P1

|   |       |
|---|-------|
| 1 | WHITE |
| 2 | BLACK |

WIRING DIAGRAM

- NOTE
- 1) MATERIAL: SEE TABLE
  - 2) FINISHES: SEE TABLE
  - 3) WRAP LABEL IS MARKED WITH P/N, DATE CODE, VOLTAGE & AMPERAGE
  - 4) MATES WITH: MINI CHANGE, 2 POLE RECEPTACLE
  - 5) ELECTRICAL DATA:  
 INLINE CORDSET  
 FEMALE A-SIZE WITH FLYING LEADS  
 16AWG UNSHIELDED  
 POLES: 2  
 MAX. VOLTAGE: 600V  
 MAX. CURRENT 13A  
 PROTECTION IP67  
 TEMPERATURE RANGE: -20°C TO 105°C
  - 6) PACKAGING:  
 CABLE ASSEMBLIES ARE BAGGED SEPERATELY  
 IN POLY BAGS WITH BAR CODE LABEL ATTACHED  
 TO OUTSIDE OF BAG.
  - 7) ASSEMBLY IS RoHS COMPLIANT.
  - 8) CERTIFICATION  
 UL RECOGNIZED, FILE NO. E152210  
 CSA CERTIFIED, FILE NO. LR6837

| ITEM | QTY. | DESCRIPTION               | MATERIAL      | FINISH        |
|------|------|---------------------------|---------------|---------------|
| 6    | 1    | LABEL                     | PLASTIC FILM  | BLACK/YELLOW  |
| 5    | 2    | CONTACT SOCKET            | COPPER ALLOY  | GOLD PLATED   |
| 4    | 1    | INSERT                    | PVC           | YELLOW        |
| 3    | 1    | COUPLING NUT              | ZINC DIE CAST | BLACKE-COATED |
| 2    | 1    | OVERMOLD                  | PVC           | YELLOW        |
| 1    | 1    | CABLE, 16AWG-2 TYPE ST00W | PVC           | YELLOW        |

|   |                                     |  |       |                                     |   |                  |                   |   |
|---|-------------------------------------|--|-------|-------------------------------------|---|------------------|-------------------|---|
| RELEASE<br>EC NO: WMA21040025<br>DRAWN: TWOLDEGE 7/8/08<br>CHKD: BWOODMAN<br>APPR: JHURPHY 2009/07/09 | <b>QUALITY SYMBOL</b><br>▽=0<br>◻=0 | GENERAL TOLERANCES (UNLESS SPECIFIED)                |       | DIMENSION STYLE<br>IN/MM            |   | SCALE 1:1        | DESIGN UNITS INCH | THIRD ANGLE PROJECTION  |
|   |                                     | 4 PLACES ±---  | ±---  | DRAWN BY DATE TWOLDEGE 2009/07/09   | TITLE MINI CHANGE ASSEMBLY 2-POLE FEMALE ST 16/2AWG PVC |                  |                   |   |
|   |                                     | 3 PLACES ±.005                                       | ±.005 | CHECKED BY DATE BWOODMAN 2009/07/09 | MATERIAL NO. SEE CHART                                  |                  |                   |   |
|   |                                     | 2 PLACES ±.013                                       | ±.010 | APPROVED BY DATE                    | DOCUMENT NO. SD-130006-007                              |                  |                   |   |
| ANGULAR ±1/2°   |                                     | DRAFT WHERE APPLICABLE MUST REMAIN WITHIN DIMENSIONS |       | SIZE C                              |   | SHEET NO. 1 OF 1 |                   | THIS DRAWING CONTAINS INFORMATION THAT IS PROPRIETARY TO MOLEX INCORPORATED AND SHOULD NOT BE USED WITHOUT WRITTEN PERMISSION |