

PLEASE CHECK WWW.MOLEX.COM FOR LATEST PART INFORMATION

Part Number: [1300061309](#)
Status: **Active**
Overview: [minichange_products](#)
Description: Mini-Change® A-Size Single-Ended Cordset, Straight Female to Pigtail, 5 Poles, Length, 3.0m (9.84')

Documents:

[Drawing \(PDF\)](#) [RoHS Certificate of Compliance \(PDF\)](#)

Agency Certification

CSA LR6837

General

Product Family Industrial Cordsets
 Series [130006](#)
 Comments A-Size (7/8" - 16 UN-2B)
 Connector End A Mini-Change®
 Connector End B Pigtail
 IP Rating IP67
 NEMA Rating NEMA 6
 Overview [minichange_products](#)
 Product Name Mini-Change®
 Type Single Ended

Physical

Cable Diameter 13.20mm (.520")
 Cable Length 3.0m (9.84')
 Color - Cable Jacket Yellow
 Coupling Style Threaded
 Gender Female-Pigtail
 Keyway Single
 LED Indicator No
 Material - Cable Jacket Rubber
 Material - Connector Body PVC
 Material - Contact Copper
 Material - Coupling Nut Black Epoxy Coated Zinc
 Material - Plating Mating Gold over Nickel
 Orientation Straight
 Poles 5
 Temperature Range - Operating -20°C to +90°C
 Wire Size AWG 16
 Wire/Cable Type UL 2661

Electrical

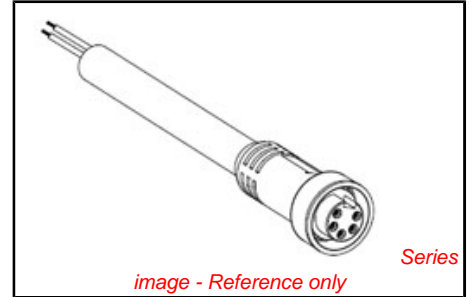
Current - Maximum per Contact 8A
 Voltage - Maximum 600V

Material Info

Old Part Number 105000C01F030

Reference - Drawing Numbers

Sales Drawing SD-130006-022



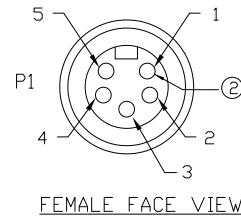
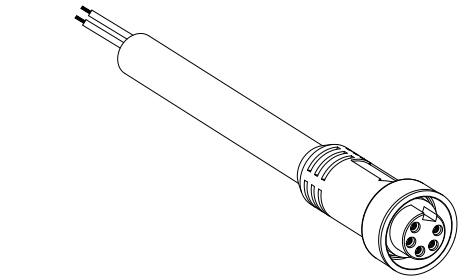
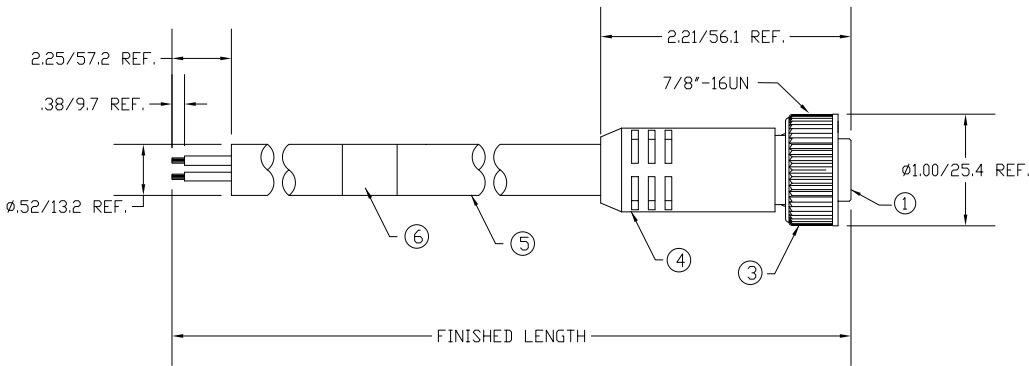
<p>EU RoHS RoHS Compliant by Exemption REACH SVHC Not Reviewed Halogen-Free Status Not Reviewed</p>	<p>China RoHS</p>
--	--------------------------

Need more information on product environmental compliance?
 Email productcompliance@molex.com
 For a multiple part number RoHS Certificate of Compliance, [click here](#)
 Please visit the [Contact Us](#) section for any non-product compliance questions.

Search Parts in this Series
[130006Series](#)

PLEASE CHECK WWW.MOLEX.COM FOR LATEST PART INFORMATION

MATERIAL NUMBER	OLD PART NUMBER	FINISHED LENGTH
130006-1309	105000C01F030	3.00' +1.75' -0 [0.9M +44.5 -0]
130006-1312	105000C01F060	6.00' +2.19' -0 [1.8M +55.6 -0]
130006-1314	105000C01F120	12.00' +3.50' -0 [3.7M +88.9 -0]
130006-1317	105000C01F200	20.00' +6.50' -0 [6.1M +165.1 -0]
130006-1320	105000C01F250	25.00' +12.50' -0 [7.6M +317.5 -0]



FEMALE FACE VIEW

P1

1	RED WITH WHITE
2	RED
3	GREEN-GND
4	RED WITH ORANGE
5	RED WITH BLACK

WIRING DIAGRAM

ITEM	COMPONENT	MATERIAL	FINISH
1	INSERT	PVC	YELLOW
2	CONTACT SOCKET	COPPER ALLOY	GOLD OVER NICKEL
3	COUPLING NUT	ZINC DIE CAST	BLACK E-COATED
4	OVERMOLD	PVC	YELLOW
5	CABLE- 16 AWG, (65 x #34 COPPER STRANDING) 5 CONDUCTOR 600V, UL SDD, CSA ST	RUBBER	YELLOW
6	LABEL	MYLAR	BLACK/YELLOW

VOLTAGE RATING	600 VAC/VDC
AMPERAGE RATING	8 AMPS
PROTECTION	IP67
OPERATING TEMPERATURE	-20°C TO 90°C
UL CERTIFICATIONS	UL RECOGNIZED, FILE NO. E46237
CSA CERTIFICATIONS	CSA CERTIFIED, FILE NO. LR6837

RLSD DRAWING EC NO: WMA2010-0887 DRWN: BWOODMAN20081228 CHKD: L HARTMAN APPR: J MURPHY 2010/01/05	QUALITY SYMBOL ▽=0 ◁=0	GENERAL TOLERANCES (UNLESS SPECIFIED)		DIMENSION STYLE IN/MM		SCALE	DESIGN UNITS	THIRD ANGLE PROJECTION	
		4 PLACES	±---	±---	DRAWN BY	DATE	1:1		INCH
		3 PLACES	±---	±.005	CHECKED BY	DATE			
		2 PLACES	±.13	±.010	LH	2009/12/28			
		1 PLACE	±.25	±.020	APPROVED BY	DATE			
		ANGULAR ±1/2°		JFMURPHY		2010/01/05			
DRAFT WHERE APPLICABLE MUST REMAIN WITHIN DIMENSIONS		SEE CHART		MATERIAL NO.		DOCUMENT NO.		SHEET NO.	
				C		SD-130006-022		1 OF 1	
THIS DRAWING CONTAINS INFORMATION THAT IS PROPRIETARY TO MOLEX INCORPORATED AND SHOULD NOT BE USED WITHOUT WRITTEN PERMISSION									