

FEATURES

PETERMANN



TECHNIK

Time & Frequency Components

- HIGH RELIABILITY FOR LOW COST
- FREQUENCY STABILITY TO +/-15 PPM
- JITTER OPTIMIZED DIP 8 CLOCK OSCILLATOR
- EXCELLENT CLOCK SIGNAL GENERATOR FOR DSP'S AND CPU'S
- EXTENDED TEMPERATURE RANGE TO -40/+85°C

SERIES		M2550	
PACKAGE		8 PIN DIP	
FREQUENCY RANGE		32.768 kHz ~ 125.0 MHz	
FREQUENCY STABILITY		+-15 ~ +-100 ppm	
AGING		+5 ppm after first year	
OPERATING TEMPERATURE RANGE		0/+70°C ~ -40/+85°C	
STORAGE TEMPERATURE RANGE		-55/+125°C	
INPUT	VOLTAGE	+5.0 VDC +-10%	
		CURRENT	30 mA max. < 24.0 MHz
	40 mA max. < 50.0 MHz		
	60 mA max. < 80.0 MHz		
OUTPUT	SYMMETRY	STANDARD	40/60%
		OPTION	45/55%
	RISE AND FALL TIME HCMOS		10 ns max. (10% VDD ~ 90% VDD)
	RISE AND FALL TIME TTL		10 ns max. (0.4V ~ 2.4V)
	"0" LEVEL	HCMOS 5.0 VOLT	10% VDD max.
			90% VDD min.
	"1" LEVEL	TTL 5.0 VOLT	0.4 V max.
			2.4 V min.
LOAD	TTL	10 TTL	
	HCMOS	15 pF	
PIN 1	STANDARD	WITHOUT ENABLE/DISABLE FUNCTION	
	OPTION	WITH ENABLE/DISABLE FUNCTION	
TRISTATE LOGIC TABLE		PIN 1 INPUT	PIN 8 OUTPUT
		2.0V MIN. OR NOT CONNECTED	OSCILLATION
		0.8V MAX. OR GND	HIGH IMPEDANCE
PIN CONNECTION		SEE OUTLINE DRAWINGS	
START-UP TIME		10 ms max.	
PERIOD JITTER RMS		8 ps max.	
OTHER PARAMETERS ARE AVAILABLE ON REQUEST / CREATE HERE YOUR SPECIFICATION			

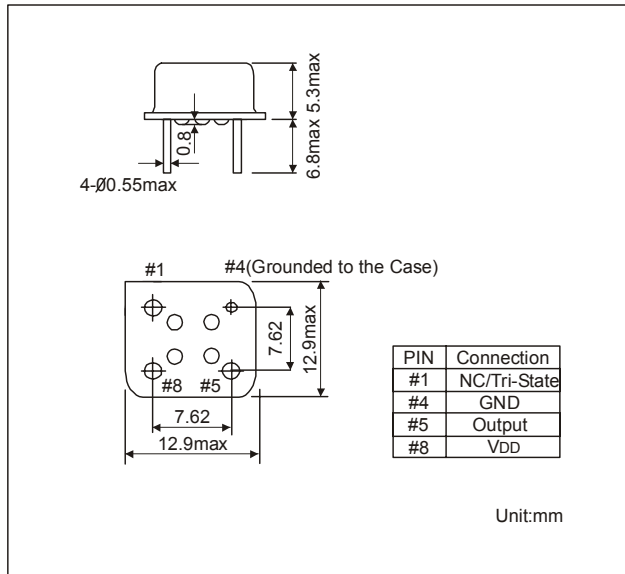
PART NUMBERING SYSTEM

EXAMPLE	M2550-25-W-S-E-G-125.0MHz
----------------	---------------------------

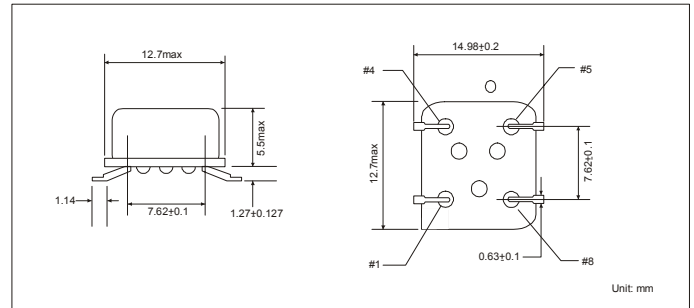
SERIES	M2550
FREQUENCY STABILITY	BLANK FOR 100 PPM ANY 50 ~ 15 PPM
TEMPERATURE RANGE	BLANK FOR 0/+70°C N = -10/+60°C M = -20/+70°C W = -40/+85°C
SYMMETRY	BLANK FOR 40/60% S FOR 45/55%
PIN 1 ENABLE/DISABLE	BLANK FOR NO E/D E FOR E/D
PIN CONFIGURATION	BLANK FOR DIP G FOR GULL WING
FREQUENCY	REQUIRED FREQUENCY

PETERMANN-TECHNIK | Amselweg 8 | D-86916 Kaufering
 Fon: 00 49 (0) 81 91 / 30 53 95 | Fax: 00 49 (0) 81 91 / 30 53 97
<http://www.petermann-technik.de> | info@petermann-technik.de

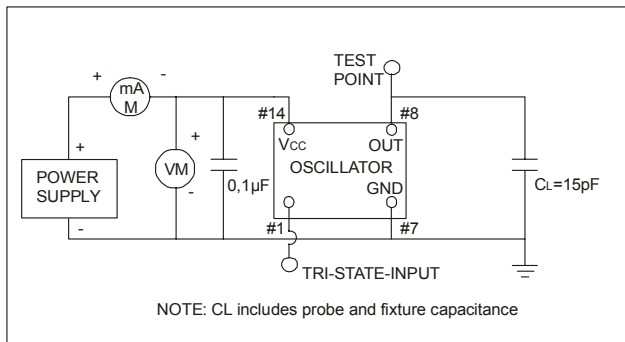
OUTLINE DRAWING OF M2550



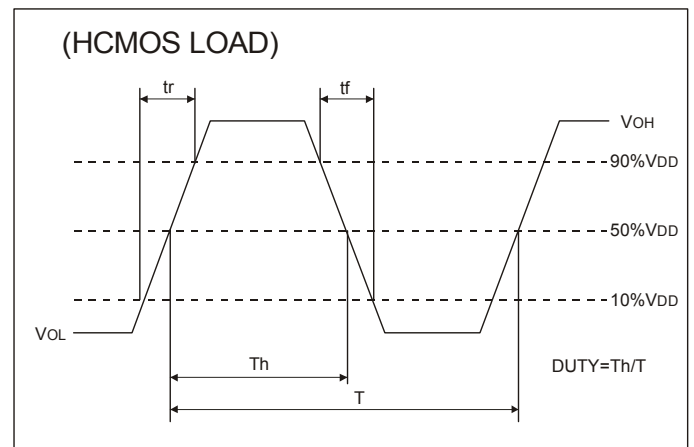
OUTLINE DRAWING OF M2550 GULL WING



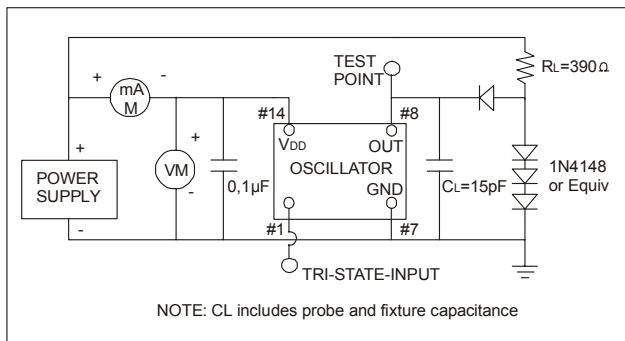
TEST CIRCUIT FOR HCMOS



HCMOS OUTPUT WAVE FORM



TEST CIRCUIT FOR TTL



TTL OUTPUT WAVE FORM

