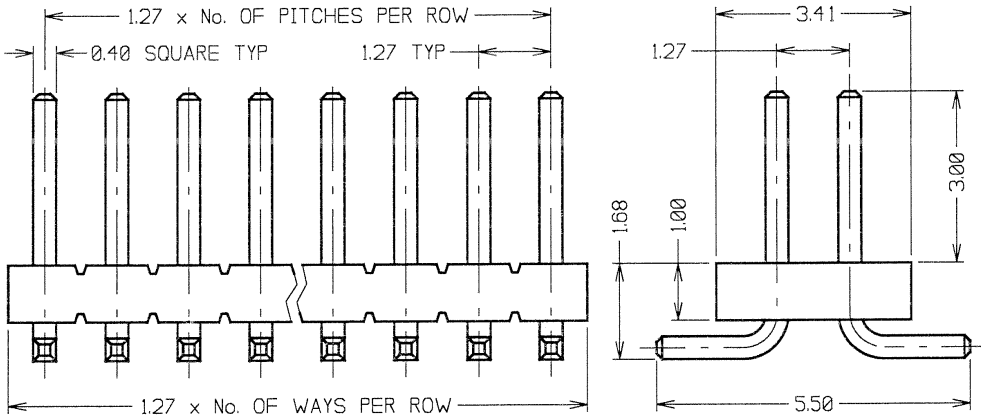
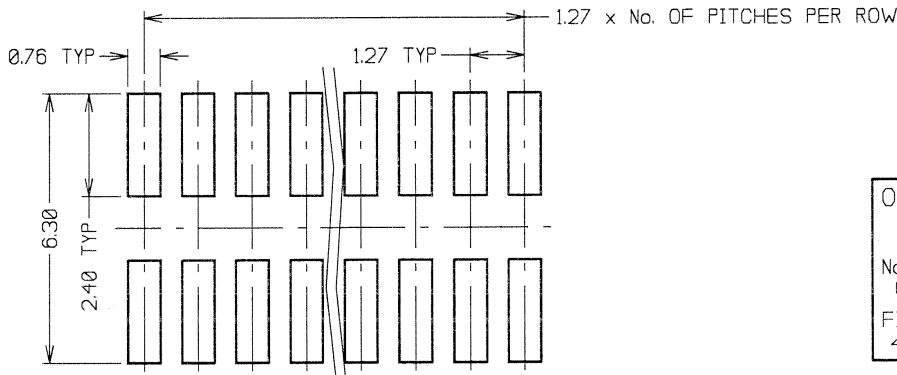


# Customer Information Sheet

DRAWING No.: M50-360XX42 SHEET 2 OF 2 IF IN DOUBT - ASK © NOT TO SCALE THIRD ANGLE PROJECTION ALL DIMENSIONS IN mm



**SPECIFICATIONS:**  
**MATERIAL:**  
 MOULDING = HIGH TEMP THERMOPLASTIC UL94V-0  
 CONTACTS = HIGH STRENGTH COPPER ALLOY  
**FINISH:**  
 CONTACTS = 0.02-0.08µ GOLD ON CONTACT AREA,  
 2.5-3.8µ 100% TIN ON TAILS  
**ELECTRICAL:**  
 CURRENT RATING (ALL CONTACTS ARE  
 ELECTRICALLY LOADED) = 1 AMP  
 CONTACT RESISTANCE = 30 MILLIOHMS MAX  
 INSULATION RESISTANCE = 5000 MEGOHMS MIN  
 DIELECTRIC WITHSTANDING = 600V AC MIN  
**MECHANICAL:**  
 PIN RETENTION = 4.4N NOMINAL  
 SOLDERABILITY = 250°C FOR 3 TO 5 SECONDS  
 DURABILITY = 600 CYCLES  
**ENVIRONMENTAL:**  
 TEMPERATURE RANGE = -40°C TO +105°C  
**PACKING:**  
 TRAY  
 FOR COMPLETE SPECIFICATION, SEE COMPONENT  
 SPECIFICATION C029XX (LATEST ISSUE).



RECOMMENDED PCB LAYOUT

ORDER CODE:  
**M50-360XX42**  
 No. OF WAYS PER ROW  
 01 TO 50  
 FINISH:  
 42 = SELECTIVE GOLD + 100% TIN

JMB	7	07.04.06	9151
NAME	ISS.	DATE	C/NOTE
APPROVED:			
CHECKED:			
DRAWN:		J. KEIR	
CUSTOMER REF.:			
ASSEMBLY DRG.:			

NOTES:  
 1. ALL TOLERANCES ARE ±0.25 UNLESS OTHERWISE STATED.

**HARWIN**

HARWIN USA  
 TEL: 003 893 5376  
 FAX: 003 893 5396  
 mis@harwin.com

HARWIN Europe (UK)  
 TEL: 023 9231 4545  
 FAX: 023 9231 4590  
 mis@harwin.co.uk

HARWIN Asia  
 TEL: +65 6 779 4909  
 FAX: +65 6 779 3868  
 mis@harwin.com.sg

THIS DRAWING AND ANY  
 INFORMATION OR DESCRIPTIVE  
 MATTER SET OUT HEREON ARE  
 CONFIDENTIAL AND COPYRIGHT  
 PROPERTY OF THE HARWIN  
 GROUP AND MUST NOT BE  
 DISCLOSED, LOANED, COPIED  
 OR USED FOR MANUFACTURING,  
 TENDERING OR FOR ANY  
 OTHER PURPOSE WITHOUT  
 THEIR WRITTEN PERMISSION.

**TOLERANCES**  
 X. = ±0.1mm  
 X.X = ±0.25mm  
 X.XX = ±0.10mm  
 X.XXX = ±0.01mm  
 ANGLES = ±5°  
 UNLESS STATED

**MATERIAL:**  
 SEE ABOVE  
**FINISH:**  
 SEE ABOVE  
**S/AREA:**  
 mm<sup>2</sup>

**TITLE:**  
 1.27mm PITCH DIL VERTICAL  
 SMT PIN HEADER  
**DRAWING NUMBER:**  
**M50-360XX42**  
 SHT  
 2 OF  
 2