

Customer Information Sheet

DRAWING No.: M50-360XX42

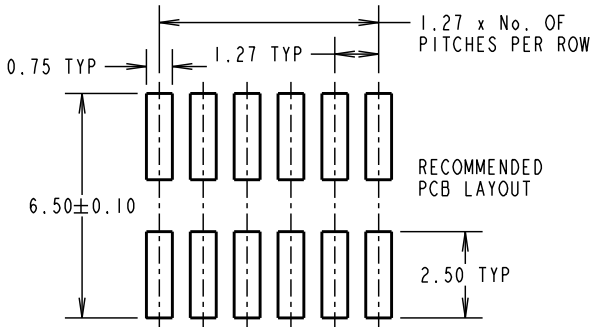
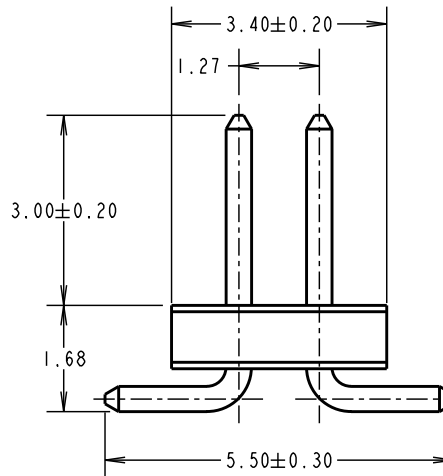
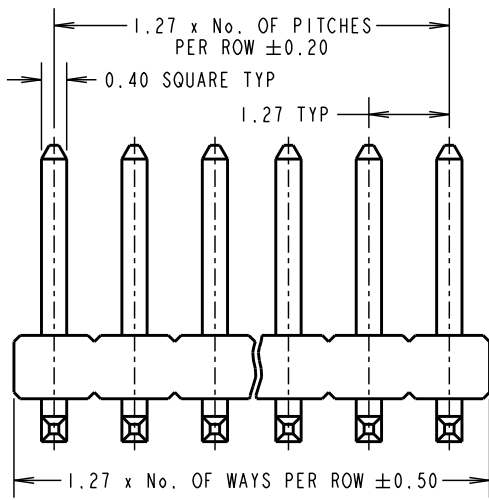
IF IN DOUBT - ASK

©

NOT TO SCALE

THIRD ANGLE PROJECTION

ALL DIMENSIONS IN mm



SPECIFICATIONS:

MATERIAL:

MOULDING = HIGH TEMP THERMOPLASTIC UL94V-0
CONTACTS = BRASS

FINISH:

CONTACTS = 0.02 - 0.08µ GOLD ON CONTACT AREA,
2.5 - 3.8µ TIN OVER NICKLE ON TAILS

ELECTRICAL:

CURRENT RATING (ALL CONTACTS ARE ELECTRICALLY LOADED) = 1A
CONTACT RESISTANCE = 30mΩ MAX
INSULATION RESISTANCE = 5000MΩ MIN
DIELECTRIC WITHSTANDING = 600V AC MIN

MECHANICAL:

PIN RETENTION = 4.4N NOMINAL
SOLDERABILITY = 250°C FOR 3 TO 5 SECONDS
DURABILITY = 600 CYCLES

ENVIRONMENTAL:

TEMPERATURE RANGE = -40°C TO +105°C

PACKING:

BAG

FOR COMPLETE SPECIFICATION, SEE COMPONENT SPECIFICATION C029XX (LATEST ISSUE)

ORDER CODE:

M50-360XX42

No. OF WAYS PER ROW →
01 TO 50
FINISH: _____
42 = SELECTIVE GOLD
+ 100% TIN OVER NICKEL

SB	11	20.07.11	11384
NAME	ISS.	DATE	C/NOTE
APPROVED:		S.BENNETT	
CHECKED:		M.G.PLESTED	
DRAWN:		J. KIER	
CUSTOMER REF.:			
ASSEMBLY DRG:			

NOTES:

1. ALL TOLERANCES ARE ±0.15 UNLESS OTHERWISE STATED.

HARWIN

THIS DRAWING AND ANY INFORMATION OR DESCRIPTIVE MATTER SET OUT HEREON ARE CONFIDENTIAL AND COPYRIGHT PROPERTY OF THE HARWIN GROUP AND MUST NOT BE DISCLOSED, LOANED, COPIED OR USED FOR MANUFACTURING, TENDERING OR FOR ANY OTHER PURPOSE WITHOUT THEIR WRITTEN PERMISSION.

TOLERANCES
X = ±1mm
X.X = ±0.25mm
X.XX = ±0.10mm
X.XXX = ±0.01mm
ANGLES = ±5°
UNLESS STATED

MATERIAL:

SEE ABOVE

FINISH:

SEE ABOVE

S/AREA:

mm²

TITLE:

1.27mm PITCH DIL VERTICAL SMT PIN HEADER

DRAWING NUMBER:

M50-360XX42

SHT

2 OF 2

HARWIN USA
TEL: 603 893 5376
FAX: 603 893 5396
mis@harwin.com

HARWIN Europe (UK)
TEL: 023 9231 4545
FAX: 023 9231 4590
mis@harwin.co.uk

HARWIN Asia
TEL: +65 6 779 4909
FAX: +65 6 779 3868
mis@harwin.com.sg