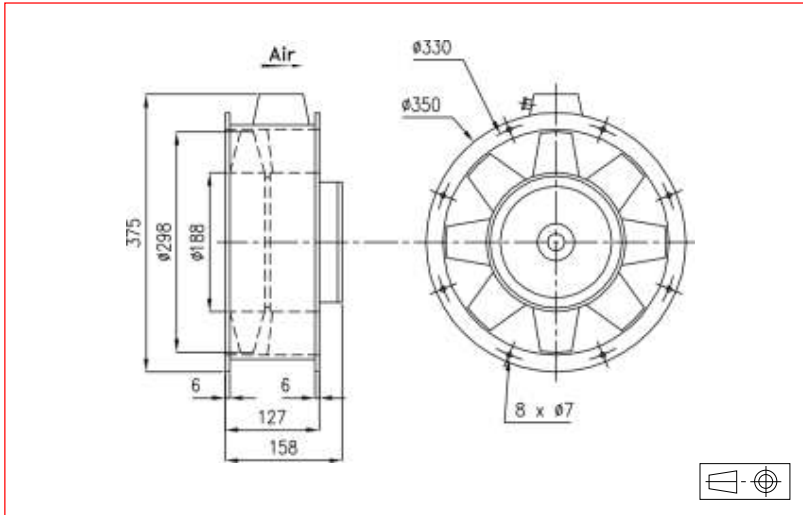


Ø 350 x 158 mm

**ETRI**<sup>®</sup>

AC High Performance Fans



Approvals

NATO codification

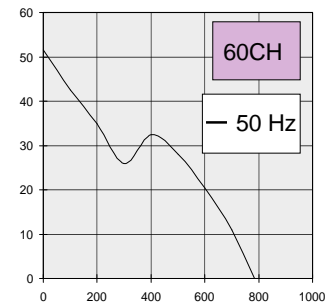
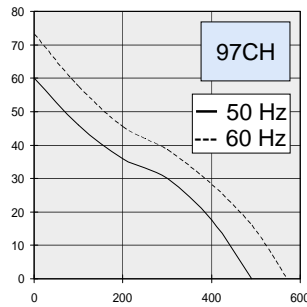
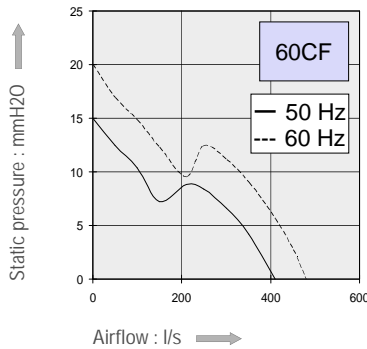
Life expectancy

L-10 LIFE AT 40°C:  
25 000 hours

AC Motor  
Housing material : aluminium  
Impeller material : aluminium  
Weight : 10,25 kg to 11 kg  
Bearing system : ball bearings

Series 60 : 11 blades  
Series 97 : 8 blades

Available with  
- Safety switch



Part Number	Nominal voltage	Airflow l/s	Noise level dB(A)	Nominal speed RPM	Frequency Hz	Phases	Capacitor (not included) µF	Input power W	Nominal Current mA	Starting Current mA	Connection type		Operating temperature	
	V										Leads	Terminals	Min.°C	Max.°C
60CF016DC13	220	410	61	1450	50	3		64	370	2000		X	-10	70
	380	410	61	1450	50	3		64	210	1150		X	-10	70
	220	480	65	1700	60	3		83	330	1800		X	-10	70
	380	480	65	1700	60	3		83	190	1050		X	-10	70
	220	410	61	1450	50	1	6,9	67	320	1700		X	-10	70
	380	410	61	1450	50	1	2,2	67	190	980		X	-10	70
97CH016DC13	220	480	65	1700	60	1	6,9	102	470	1600		X	-10	70
	380	480	65	1700	60	1	2,2	102	270	930		X	-10	70
	220	490	73	2850	50	3		136	490	3300		X	-10	70
	380	490	73	2850	50	3		136	280	1900		X	-10	70
60CH016DC13	220	570	76	3300	60	3		198	600	2800		X	-10	70
	380	570	76	3300	60	3		198	350	1500		X	-10	70
	220	780	79	2700	50	3		406	1500	6300		X	-10	70
	380	780	79	2700	50	3		406	870	3600		X	-10	70
60CH016DC13	220	775	79	2700	50	1	20	400	1900	5000		X	-10	70
	380	775	79	2700	50	1	6,9	400	1100	3000		X	-10	70

Additional versions:

Salt spray protected - Shock and vibration protected - Marine specifications  
Wide temperature range - Other voltages (consult factory)

**ETRI** • <http://www.etrinet.com> • e-mail: [info@etrinet.com](mailto:info@etrinet.com) • ETRI is a trade mark of ECOFIT, 

Non contractual document. Specifications are subject to change without prior notice. Pictures for information only. Edition 2007/06