

**PLEASE CHECK WWW.MOLEX.COM FOR LATEST PART INFORMATION**

**Part Number:** [0432028122](#)  
**Status:** **Active**  
**Overview:** [modular\\_plugs\\_jacks](#)  
**Description:** Modular Jack, Right Angle, Low Profile, 8/2

**Documents:**

[3D Model](#) [Product Specification PS-43202-001 \(PDF\)](#)  
[Drawing \(PDF\)](#) [RoHS Certificate of Compliance \(PDF\)](#)

**Agency Certification**

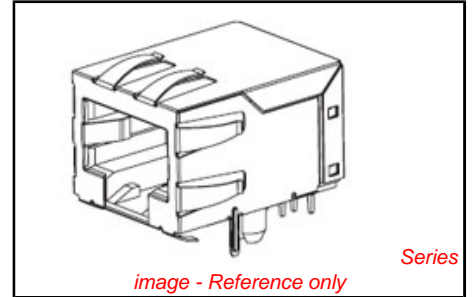
CSA LR19980  
 UL E107635

**General**

Product Family Modular Jacks/Plugs  
 Series [43202](#)  
 Component Type PCB Jack  
 Magnetic No  
 Overview [modular\\_plugs\\_jacks](#)  
 Performance Category 3  
 Power over Ethernet (PoE) N/A  
 Product Name RJ45

**Physical**

Boot Color N/A  
 Color - Resin Black  
 Durability (mating cycles max) 500  
 Flammability 94V-0  
 Inverted / Top Latch No  
 Keying to Mating Part None  
 Lightpipes/LEDs None  
 Material - Metal Phosphor Bronze  
 Material - Plating Mating Gold  
 Material - Plating Termination Tin  
 Material - Resin High Temperature Thermoplastic  
 Orientation Right Angle (Side Entry)  
 PCB Locator Yes  
 PCB Retention Yes  
 PCB Thickness Recommended (in) 0.062 In  
 PCB Thickness Recommended (mm) 1.57 mm  
 Packaging Type Tray  
 Panel Mount Without Flange  
 Pitch - Mating Interface (in) 0.040 In  
 Pitch - Mating Interface (mm) 1.02 mm  
 Pitch - Term. Interface (in) 0.050 In  
 Pitch - Term. Interface (mm) 1.27 mm  
 Plating min: Mating (µin) 50  
 Plating min: Mating (µm) 1.25  
 Plating min: Termination (µin) 100  
 Plating min: Termination (µm) 2.5  
 Ports 1  
 Positions / Loaded Contacts 8/2  
 Surface Mount Compatible (SMC) No  
 Temperature Range - Operating -40°C to +85°C  
 Termination Interface: Style Through Hole  
 Waterproof / Dustproof No



**EU RoHS**  
**ELV and RoHS**  
**Compliant**  
**REACH SVHC**  
 Not Reviewed  
**Halogen-Free**  
**Status**  
**Not Reviewed**

**China RoHS**



**Need more information on product environmental compliance?**

Email [productcompliance@molex.com](mailto:productcompliance@molex.com)  
 For a multiple part number RoHS Certificate of Compliance, [click here](#)

Please visit the [Contact Us](#) section for any non-product compliance questions.

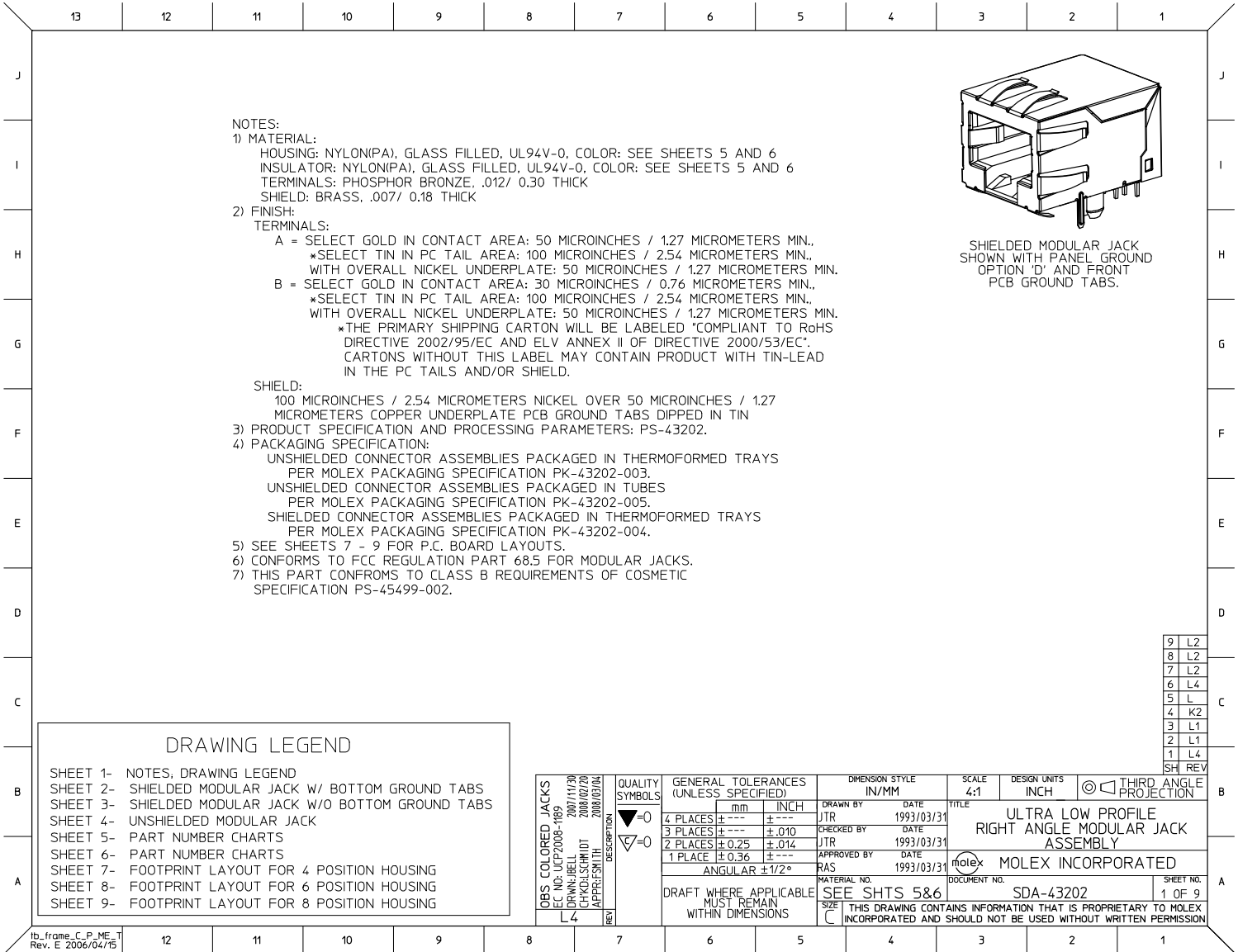
**Search Parts in this Series**  
[43202Series](#)

**Mates With**  
 FCC 68 Plugs

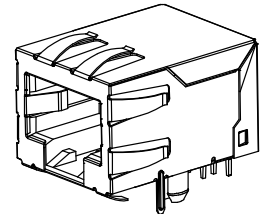
Wire/Cable Type	N/A
<b>Electrical</b>	
Current - Maximum per Contact	1.5A
Grounding to PCB	No
Grounding to Panel	None
Shielded	No
Voltage - Maximum	150V AC (RMS)
<b>Solder Process Data</b>	
Lead-free Process Capability	Wave Capable (TH only)
<b>Material Info</b>	
Old Part Number	A432028122
<b>Reference - Drawing Numbers</b>	
Packaging Specification	PK-43202-003
Product Specification	PS-43202-001, RPS-43202-002
Sales Drawing	SDA-43202

This document was generated on 06/07/2010

**PLEASE CHECK [WWW.MOLEX.COM](http://WWW.MOLEX.COM) FOR LATEST PART INFORMATION**



NOTES:  
 1) MATERIAL:  
 HOUSING: NYLON(IPA), GLASS FILLED, UL94V-0, COLOR: SEE SHEETS 5 AND 6  
 INSULATOR: NYLON(IPA), GLASS FILLED, UL94V-0, COLOR: SEE SHEETS 5 AND 6  
 TERMINALS: PHOSPHOR BRONZE, .012/ 0.30 THICK  
 SHIELD: BRASS, .007/ 0.18 THICK  
 2) FINISH:  
 TERMINALS:  
 A = SELECT GOLD IN CONTACT AREA: 50 MICROINCHES / 1.27 MICROMETERS MIN.,  
 \*SELECT TIN IN PC TAIL AREA: 100 MICROINCHES / 2.54 MICROMETERS MIN.,  
 WITH OVERALL NICKEL UNDERPLATE: 50 MICROINCHES / 1.27 MICROMETERS MIN.  
 B = SELECT GOLD IN CONTACT AREA: 30 MICROINCHES / 0.76 MICROMETERS MIN.,  
 \*SELECT TIN IN PC TAIL AREA: 100 MICROINCHES / 2.54 MICROMETERS MIN.,  
 WITH OVERALL NICKEL UNDERPLATE: 50 MICROINCHES / 1.27 MICROMETERS MIN.  
 \*THE PRIMARY SHIPPING CARTON WILL BE LABELED "COMPLIANT TO RoHS  
 DIRECTIVE 2002/95/EC AND ELV ANNEX II OF DIRECTIVE 2000/53/EC".  
 CARTONS WITHOUT THIS LABEL MAY CONTAIN PRODUCT WITH TIN-LEAD  
 IN THE PC TAILS AND/OR SHIELD.  
 SHIELD:  
 100 MICROINCHES / 2.54 MICROMETERS NICKEL OVER 50 MICROINCHES / 1.27  
 MICROMETERS COPPER UNDERPLATE PCB GROUND TABS DIPPED IN TIN  
 3) PRODUCT SPECIFICATION AND PROCESSING PARAMETERS: PS-43202.  
 4) PACKAGING SPECIFICATION:  
 UNSHIELDED CONNECTOR ASSEMBLIES PACKAGED IN THERMOFORMED TRAYS  
 PER MOLEX PACKAGING SPECIFICATION PK-43202-003.  
 UNSHIELDED CONNECTOR ASSEMBLIES PACKAGED IN TUBES  
 PER MOLEX PACKAGING SPECIFICATION PK-43202-005.  
 SHIELDED CONNECTOR ASSEMBLIES PACKAGED IN THERMOFORMED TRAYS  
 PER MOLEX PACKAGING SPECIFICATION PK-43202-004.  
 5) SEE SHEETS 7 - 9 FOR P.C. BOARD LAYOUTS.  
 6) CONFORMS TO FCC REGULATION PART 68.5 FOR MODULAR JACKS.  
 7) THIS PART CONFORMS TO CLASS B REQUIREMENTS OF COSMETIC  
 SPECIFICATION PS-45499-002.



SHIELDED MODULAR JACK  
 SHOWN WITH PANEL GROUND  
 OPTION 'D' AND FRONT  
 PCB GROUND TABS.

9	L2
8	L2
7	L2
6	L4
5	L
4	K2
3	L1
2	L1
1	L4
SH REV	

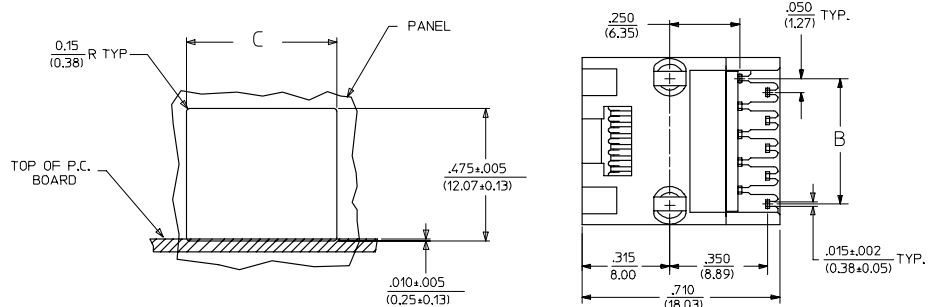
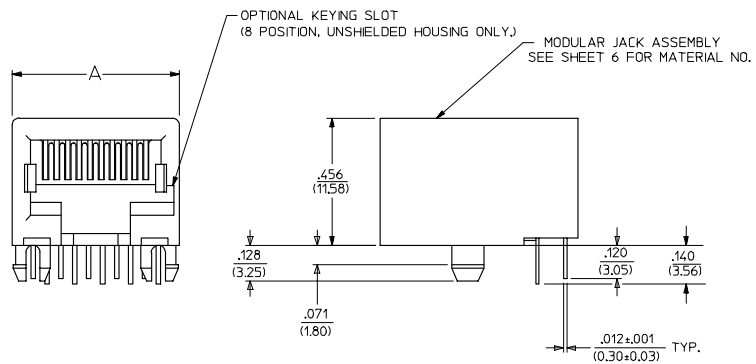
DRAWING LEGEND	
SHEET 1-	NOTES, DRAWING LEGEND
SHEET 2-	SHIELDED MODULAR JACK W/ BOTTOM GROUND TABS
SHEET 3-	SHIELDED MODULAR JACK W/O BOTTOM GROUND TABS
SHEET 4-	UNSHIELDED MODULAR JACK
SHEET 5-	PART NUMBER CHARTS
SHEET 6-	PART NUMBER CHARTS
SHEET 7-	FOOTPRINT LAYOUT FOR 4 POSITION HOUSING
SHEET 8-	FOOTPRINT LAYOUT FOR 6 POSITION HOUSING
SHEET 9-	FOOTPRINT LAYOUT FOR 8 POSITION HOUSING

OBS COLORED JACKS EC NO: UCP2008-1169 DRAWN: BELL 2007/11/30 CHKD: SCHEIDT 2008/02/20 APPR: ESMITH 2008/03/04	QUALITY SYMBOLS ▽=0 ▽=0	GENERAL TOLERANCES (UNLESS SPECIFIED): mm INCH 4 PLACES ± --- ± --- 3 PLACES ± --- ± .010 2 PLACES ± 0.25 ± .014 1 PLACE ± 0.36 ± --- ANGULAR ± 1/2°	DIMENSION STYLE IN/MM DRAWN BY DATE JTR 1993/03/31 CHECKED BY DATE JTR 1993/03/31 APPROVED BY DATE RAS 1993/03/31	SCALE 4:1 DESIGN UNITS INCH THIRD ANGLE PROJECTION	TITLE ULTRA LOW PROFILE RIGHT ANGLE MODULAR JACK ASSEMBLY	MATERIAL NO. SEE SHTS 5&6 DOCUMENT NO. SDA-43202	SHEET NO. 1 OF 9
	DRAFT WHERE APPLICABLE MUST REMAIN WITHIN DIMENSIONS		THIS DRAWING CONTAINS INFORMATION THAT IS PROPRIETARY TO MOLEX INCORPORATED AND SHOULD NOT BE USED WITHOUT WRITTEN PERMISSION		MOLEX MOLEX INCORPORATED		
	L4		SIZE C				
	REV						

lb\_frame\_C\_P\_ME\_T  
 Rev. E 2006/04/15

### UNSHIELDED MODULAR JACKS

SIZE 8, LOADED 10 SHOWN



HOUSING SIZE	LOADED CIRCUITS	A	B	C
C	4	.440 (11.18)	.150±.005 (3.81±0.13)	.460±.005 (11.68±0.13)
	2	.440 (11.18)	.050±.005 (1.27±0.13)	.460±.005 (11.68±0.13)
B	6	.520 (13.21)	.250±.005 (6.35±0.13)	.540±.005 (13.72±0.13)
	4	.520 (13.21)	.150±.005 (3.81±0.13)	.540±.005 (13.72±0.13)
A	6	.600 (15.24)	.450±.005 (11.43±0.13)	.620±.005 (15.75±0.13)
	8	.600 (15.24)	.350±.005 (8.89±0.13)	.620±.005 (15.75±0.13)
	6	.600 (15.24)	.250±.005 (6.35±0.13)	.620±.005 (15.75±0.13)
A	8	.600 (15.24)	.150±.005 (3.81±0.13)	.620±.005 (15.75±0.13)
	2	.600 (15.24)	.050±.005 (1.27±0.13)	.620±.005 (15.75±0.13)

SEE SHEET ONE E.C. NO. UCF2004-1194 DRAWN: SCHMIDT 2004/01/02 CHECKED: SCHMIDT 2004/01/03 APPROVED: SMITH 2004/01/03 KZ	QUALITY SYMBOLS 0 0	GENERAL TOLERANCES (UNLESS SPECIFIED) 4 PLACES ± --- ± --- 3 PLACES ± --- ± .010 2 PLACES ± 0.25 ± .014 1 PLACE ± 0.36 ± --- ANGULAR ±1/2° DRAFT WHERE APPLICABLE MUST REMAIN WITHIN DIMENSIONS	SCALE 4:1 DESIGN UNITS INCH DIMENSION STYLE IN/MM DRAWN BY JTR DATE 1993/03/31 CHECKED BY JTR DATE 1993/03/31 APPROVED BY RAS DATE 1993/03/31	THIRD ANGLE PROJECTION REVISE ON CAD ONLY TITLE ULTRA LOW PROFILE RIGHT ANGLE MODULAR JACK ASSEMBLY MOLEX INCORPORATED MATERIAL NO. SEE SHT 6 DOCUMENT NO. SDA-43202 SHEET NO. 4 OF 9
	THIS DRAWING CONTAINS INFORMATION THAT IS PROPRIETARY TO MOLEX INCORPORATED AND SHOULD NOT BE USED WITHOUT WRITTEN PERMISSION			
	THIS DRAWING CONTAINS INFORMATION THAT IS PROPRIETARY TO MOLEX INCORPORATED AND SHOULD NOT BE USED WITHOUT WRITTEN PERMISSION			
	THIS DRAWING CONTAINS INFORMATION THAT IS PROPRIETARY TO MOLEX INCORPORATED AND SHOULD NOT BE USED WITHOUT WRITTEN PERMISSION			

SHIELDED MODULAR JACKS W/O BOTTOM GROUND TABS (SHEET 3)								UNSHIELDED MODULAR JACKS- (SHEET 4)							
ASSEMBLY MATERIAL NUMBER	CONNECTOR SIZE	NUMBER OF CIRCUITS	SIDE/TOP PANEL GROUND TAB OPTION	PCB GROUND TAB OPTION	TERMINAL PLATING OPTION	PACKAGING	HOUSING COLOR	ASSEMBLY MATERIAL NUMBER	CONNECTOR SIZE	NUMBER OF CIRCUITS	TERMINAL PLATING OPTION	KEYING OPTION	PACKAGING OPTION	HOUSING COLOR	
43202-8800	8	10	E	FRONT POSITION	A	TRAY	BLACK	43202-4101	4	4	A	NO	TRAY	BLACK	
43202-8801	8	10	F	FRONT POSITION	A	TRAY		43202-4104	4	2	A	NO	TRAY		
43202-8802	8	10	G	FRONT POSITION	A	TRAY		43202-6101	6	6	A	NO	TRAY		
43202-8803	8	10	H	FRONT POSITION	A	TRAY		43202-6102	6	6	B	NO	TRAY		
43202-8808	8	10	E	REAR POSITION	A	TRAY		43202-6104	6	4	A	NO	TRAY		
43202-8809	8	10	F	REAR POSITION	A	TRAY		43202-6105	6	4	B	NO	TRAY		
43202-8810	8	10	G	REAR POSITION	A	TRAY		43202-6107	6	2	A	NO	TRAY		
43202-8811	8	10	H	REAR POSITION	A	TRAY		43202-6110	6	6	B	NO	TUBE		
43202-8816	8	8	E	FRONT POSITION	A	TRAY		43202-8101	8	10	A	NO	TRAY		
43202-8817	8	8	F	FRONT POSITION	A	TRAY		43202-8104	8	8	A	NO	TRAY		
43202-8818	8	8	G	FRONT POSITION	A	TRAY		43202-8105	8	8	B	NO	TRAY		
43202-8819	8	8	H	FRONT POSITION	A	TRAY		43202-8113	8	8	A	YES	TRAY		
43202-8824	8	8	E	REAR POSITION	A	TRAY		43202-8116	8	6	A	NO	TRAY		
43202-8825	8	8	F	REAR POSITION	A	TRAY		43202-8119	8	4	A	NO	TRAY		
43202-8826	8	8	G	REAR POSITION	A	TRAY		43202-8122	8	2	A	NO	TRAY		
43202-8827	8	8	H	REAR POSITION	A	TRAY		43202-8504	8	8	A	NO	TUBE		
									43202-8513	8	8	A	YES		TUBE

<b>OBS COLORED JACKS</b> EC NO: UCP2008-1189 DRAWN: BELL 2007/11/30 CHKD: SCHMIDT 2008/02/20 APPR: SMITH 2008/03/04	QUALITY SYMBOLS	GENERAL TOLERANCES (UNLESS SPECIFIED)	DIMENSION STYLE	SCALE	DESIGN UNITS	THIRD ANGLE PROJECTION	
	$\nabla=0$ $\nabla=0$	mm INCH	IN/MM	4:1	INCH		
		4 PLACES ± --- ± ---	DRAWN BY DATE	JBS 2000/10/03	TITLE		
		3 PLACES ± --- ± .010	CHECKED BY DATE	BW 2000/10/03	ULTRA LOW PROFILE RIGHT ANGLE MODULAR JACK ASSEMBLY		
	2 PLACES ± 0.25 ± .014	APPROVED BY DATE	BW 2000/10/03	MATERIAL NO. DOCUMENT NO.			
	1 PLACE ± 0.36 ± ---			MOLEX INCORPORATED			
	ANGULAR ± 1/2°			SEE CHART SDA-43202			
		DRAFT WHERE APPLICABLE MUST REMAIN WITHIN DIMENSIONS		SHEET NO. 6 OF 9			
				THIS DRAWING CONTAINS INFORMATION THAT IS PROPRIETARY TO MOLEX INCORPORATED AND SHOULD NOT BE USED WITHOUT WRITTEN PERMISSION			

lb\_frame\_C\_P\_ME\_T  
Rev. E 2006/04/15

13

12

11

10

9

8

7

6

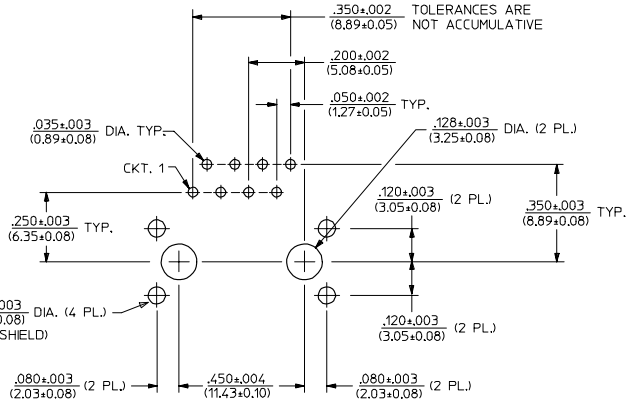
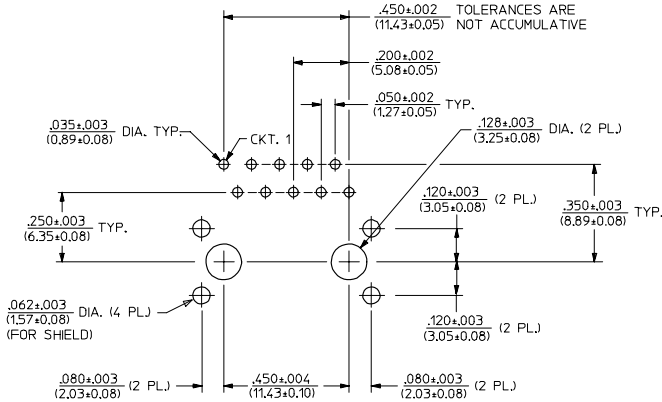
5

4

3

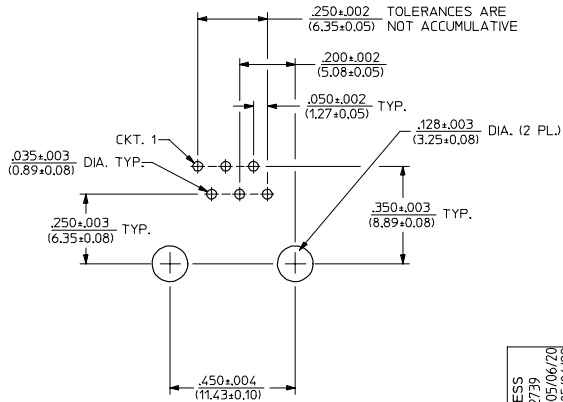
2

43202



PC BOARD LAYOUT FOR 8 POSITION HOUSING  
(10 CIRCUIT FOOTPRINT SHOWN)  
(COMPONENT SIDE OF BOARD)

PC BOARD LAYOUT FOR 8 POSITION HOUSING  
(8 CIRCUIT FOOTPRINT SHOWN)  
(COMPONENT SIDE OF BOARD)



PC BOARD LAYOUT FOR 8 POSITION HOUSING  
(16 CIRCUIT FOOTPRINT SHOWN)  
(COMPONENT SIDE OF BOARD)

NOTES:  
1. RECOMMENDED PCB THICKNESS: .062 ± .005 / (1.57 ± 0.13)

ADD PCB THICKNESS EC NO. UJF2005-2739 DRW:LSCHMIDT 2005/06/20 CHK:BELHAG 2005/06/22 APPR:FSMITH 2005/06/23 L2	QUALITY SYMBOLS	GENERAL TOLERANCES (UNLESS SPECIFIED)		SCALE 4:1	DESIGN UNITS INCH	THIRD ANGLE PROJECTION	REVISE ON CAD ONLY
	-0 -0		mm	INCH	DIMENSION STYLE IN/MM		TITLE
		4 PLACES	± .010	± .010	DRAWN BY	DATE	ULTRA LOW PROFILE RIGHT ANGLE MODULAR JACK ASSEMBLY MOLEX INCORPORATED
		3 PLACES	± .015	± .014	L.E. LENZ	1995/03/09	
2 PLACES	± .025	± .014	CHECKED BY	DATE			
	1 PLACE	± 0.36	± .010	JTR	1995/03/09	MATERIAL NO.	DOCUMENT NO.
		ANGULAR ±1/2°		APPROVED BY	DATE	SEE SHTS 5&6	SDA-43202
		DRAFT WHERE APPLICABLE		RAS	1995/03/09	9 OF 9	
		MUST REMAIN WITHIN DIMENSIONS		THIS DRAWING CONTAINS INFORMATION THAT IS PROPRIETARY TO MOLEX INCORPORATED AND SHOULD NOT BE USED WITHOUT WRITTEN PERMISSION			

Id\_frame\_C\_P\_ME\_T  
Rev. C 2002/05/05

12

11

10

9

8

7

6

5

4

3

2

1