

# C&K CN Series Double Pole Power Rocker Switches

## Features/Benefits

- Illuminated versions available
- Multiple actuator and termination styles
- Robust design
- Custom version upon request
- RoHS compliant



## Typical Applications

- Appliances
- Office equipment
- Computers and peripherals
- Off-road vehicles
- Industrial machines
- HVAC units
- Transportation



## Specifications

### CONTACT RATING:

UL/CSA: 16 AMPS @ 125 VAC, 1/8 HP;  
10 AMPS @ 250 VAC, 1/3 HP.

ELECTRICAL LIFE: 10,000 make and break cycles at full load.

INSULATION RESISTANCE:  $10^8 \Omega$  min.

DIELECTRIC STRENGTH: 1,500 VRMS @ sea level.

OPERATING TEMPERATURE: -20°C to +85°C

## Materials

HOUSING AND ACTUATOR: 6/6 nylon (UL94V-2), black, matte finish.

ILLUMINATED ACTUATOR: Polycarbonate, matte finish.

CENTER CONTACTS: Silver plated, copper alloy.

END CONTACTS: Silver plated  $AgSuO_2InO_3$ .

ALL TERMINALS: Silver plated, copper alloy.

**NOTE:** For the latest information regarding RoHS compliance, please go to:  
[www.ittcannon.com/rohs](http://www.ittcannon.com/rohs).

**NOTE:** Specifications and materials listed above are for switches with standard options.  
For information on specific and custom switches, consult Customer Service Center.

## Build-A-Switch

To order, simply select desired option from each category and place in the appropriate box. Available options are shown and described on pages H-99 through H-102. For additional options not shown in catalog, consult Customer Service Center.

<b>Switch Function</b> <b>CN201</b> DPDT On-None-On <b>CN202</b> DPST On-None-Off <b>CN22 *</b> DPST On-None-Off	
<b>Actuator</b> <b>J1</b> Rocker <b>J3</b> Illuminated rocker <b>J6</b> Rocker <b>J8</b> Illuminated rocker	<b>Actuator Color</b> <b>2</b> Black <b>1</b> White <b>3</b> Red <b>R</b> Red, illuminated <b>A</b> Amber, illuminated <b>G</b> Green, illuminated
<b>Mounting Style/Color</b> <b>S2</b> Snap-in, black <b>S4</b> Snap-in, black <b>S1</b> Snap-in, white <b>S3</b> Snap-in, white	
<b>Termination</b> <b>15</b> .187" quick connect <b>05</b> .250" quick connect <b>07</b> Solder lug	
<b>Actuator Marking</b> <b>(NONE)</b> No marking <b>D</b> ON-OFF <b>H</b> "O I" - international ON-OFF <b>P</b> "O -" international ON-OFF	
<b>Contact Rating</b> <b>Q</b> Silver (UL/CSA) <b>QA</b> Silver (UL/CSA with HP rating)	
<b>Lamp Rating</b> <b>(NONE)</b> No lamp <b>7</b> 125 VAC neon <b>8</b> 250 VAC neon	

\* CN22 - for switches with both marking and illumination

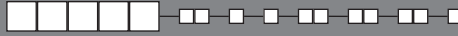
Rocker



Dimensions are shown: Inch (mm)  
Specifications and dimensions subject to change

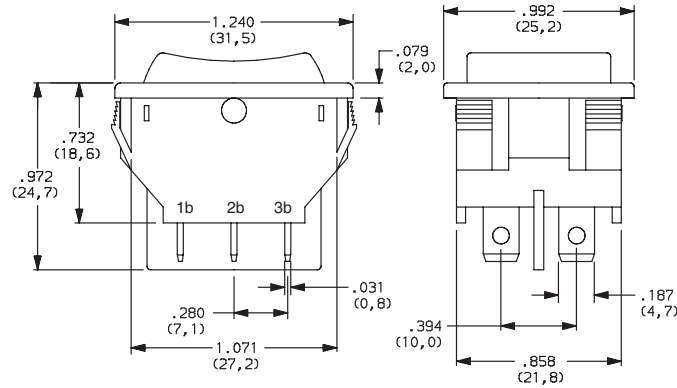
# C&K CN Series Double Pole Power Rocker Switches

## SWITCH FUNCTION

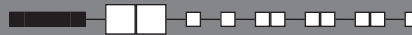


NO. POLES	MODEL NO.	SWITCH FUNCTION			CONNECTED TERMINALS			SCHEMATIC
DP	<b>CN201</b>	ON	NONE	ON	2-3	N/A	2-1	
	<b>CN202</b>	ON	NONE	OFF				
	<b>CN22 *</b>	ON	NONE	OFF				 For Illuminated Version

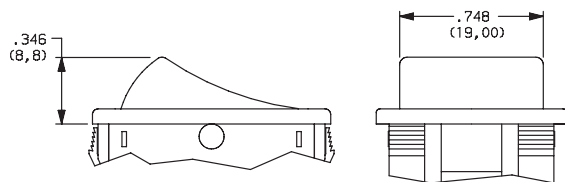
\* CN22 - for switches with both marking and illumination



## ACTUATOR

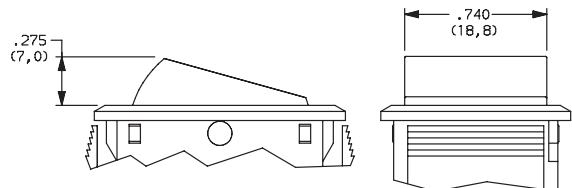


- J1** ROCKER
- J3** ILLUMINATED ROCKER



NOTE: J1 & J3 actuators available with Q contact rating only.  
J3 actuator available with CN202 switch function only.

- J6** ROCKER
- J8** ILLUMINATED ROCKER



NOTE: J6 & J8 actuators available with QA contact rating only.  
J6 actuator available with CN201 & CN202 switch functions,  
J8 actuator available with CN202 switch function only.



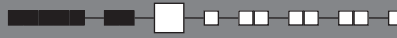
Dimensions are shown: Inch (mm)  
Specifications and dimensions subject to change

www.ittcannon.com



# C&K CN Series Double Pole Power Rocker Switches

## ACTUATOR COLOR



OPTION CODE	ACTUATOR COLOR
2	BLACK
1	WHITE
3	RED
R	RED, ILLUMINATED
A	AMBER, ILLUMINATED
G	GREEN, ILLUMINATED

## MOUNTING STYLE/COLOR

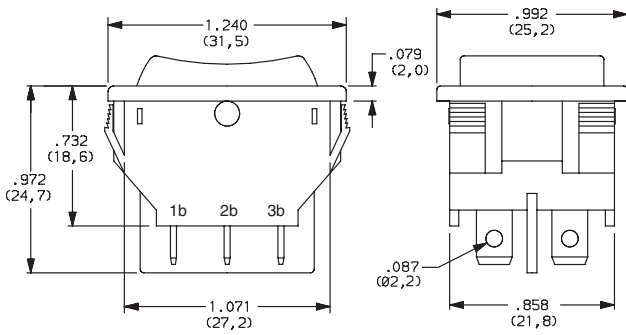


**S2** SNAP-IN, BLACK

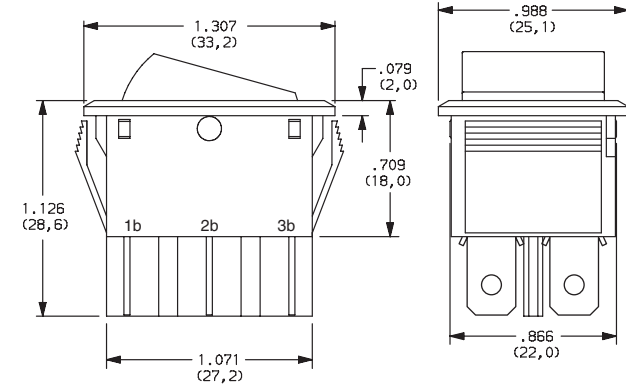
**S1** SNAP-IN, WHITE

**S4** SNAP-IN, BLACK

**S3** SNAP-IN, WHITE

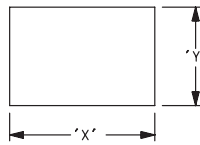


NOTE: Available with 15 termination and Q contact rating only.



NOTE: Available with 05 termination and QA contact rating only.

### PANEL MOUNTING



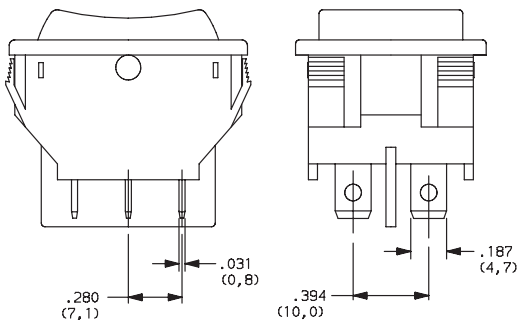
PANEL THICKNESS	"X"	"Y"
0.030-0.049 (0,75-1,25)	1.190-.004 (30,2-0,1)	0.874+.004 (22,2+0,1)
0.049-0.079 (1,25-2,0)	1.197-.004 (30,4-0,1)	0.874+.004 (22,2+0,1)
0.079-0.118 (2,0-3,0)	1.213-.004 (30,8-0,1)	0.874+.004 (22,2+0,1)

## TERMINATION

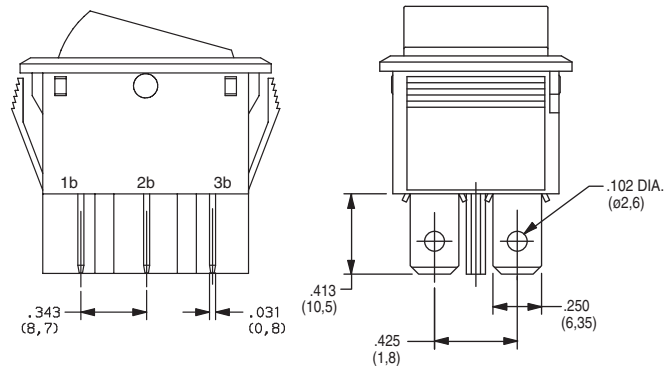


**15** .187" QUICK CONNECT

**05** .250" QUICK CONNECT



NOTE: Available with S1 & S1 mounting style and Q contact rating only.



NOTE: Available with S3 & S4 mounting styles and QA contact rating, CN201 & CN202 switch functions only.

Rocker



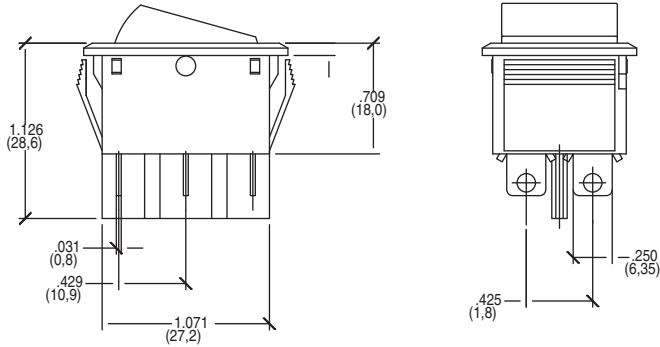
Dimensions are shown: Inch (mm)  
Specifications and dimensions subject to change

www.ittcannon.com

# C&K CN Series Double Pole Power Rocker Switches

## TERMINATION

### 07 SOLDER LUG



## ACTUATOR MARKING

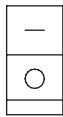
### NONE NO MARKING



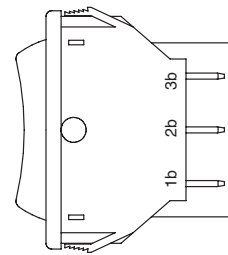
### D ON-OFF



### H O I



### P O -



NOTE: Orientation of actuator marking and terminals.

## CONTACT MATERIAL

OPTION CODE	RoHS COMPLIANT *	RoHS COMPATIBLE *	CONTACT AND TERMINAL MATERIAL	RATINGS	
Q	YES	YES	SILVER	POWER	16 AMPS @ 125 VAC; 10 AMPS @ 250 VAC (UL/CSA)
QA*	YES	YES			16 AMPS @ 125 VAC, 1/8 HP @ 125 VAC; 10 AMPS @ 250 VAC, 1/3 HP @ 250 VAC (UL/CSA)

\* Not available with CN203, CN205 & CN207 switch functions.

\* Note: See Technical Data section of this catalog for RoHS compliant and compatible definitions and specifications.

## LAMP RATING

### (NONE) NO LAMP

7 125 VAC 33kΩ NEON

8 250 VAC 150kΩ NEON

NOTE: Lamp rating for J3 & J8 actuator options.

Rocker



Dimensions are shown: Inch (mm)  
Specifications and dimensions subject to change

www.ittcannon.com