

CN Series Double Pole Power Rocker Switches

Features/Benefits

- Illuminated versions available
- Multiple actuator and termination styles
- Robust design
- Custom version upon request
- RoHS compliant



Typical Applications

- Appliances
- Office equipment
- Computers and peripherals
- Off-road vehicles
- Industrial machines
- HVAC units
- Transportation



Specifications

CONTACT RATING:
 UL/CSA: 16 AMPS @ 125 VAC, 1/8 HP;
 10 AMPS @ 250 VAC, 1/3 HP.
 ELECTRICAL LIFE: 10,000 make and break cycles at full load.
 INSULATION RESISTANCE: $10^8 \Omega$ min.
 DIELECTRIC STRENGTH: 1,500 VRMS @ sea level.
 OPERATING TEMPERATURE: -20°C to +85°C

Materials

HOUSING AND ACTUATOR: 6/6 nylon (UL94V-2), black, matte finish.
 ILLUMINATED ACTUATOR: Polycarbonate, matte finish.
 CENTER CONTACTS: Silver plated, copper alloy.
 END CONTACTS: Silver plated Ag₂Su_{0.2}In_{0.3}.
 ALL TERMINALS: Silver plated, copper alloy.

Note: Specifications and materials listed above are for switches with standard options. For information on specific and custom switches, consult Customer Service Center.

Build-A-Switch

To order, simply select desired option from each category and place in the appropriate box. Available options are shown and described on pages G-99 through G-101. For additional options not shown in catalog, consult Customer Service Center.

<div style="display: flex; justify-content: space-around; border-bottom: 1px solid black; margin-bottom: 10px;"> <div style="width: 15%;"></div> <div style="width: 15%;"></div> <div style="width: 15%;"></div> <div style="width: 15%;"></div> <div style="width: 15%;"></div> <div style="width: 15%;"></div> <div style="width: 15%;"></div> <div style="width: 15%;"></div> </div>			
Switch Function			
CN201 DPDT On-None-On CN202 DPST On-None-Off CN22 * DPST On-None-Off			
Actuator			
J1 Rocker J3 Illuminated rocker J6 Rocker J8 Illuminated rocker			
Actuator Color		Mounting Style/Color	
2 Black 1 White 3 Red R Red, illuminated A Amber, illuminated G Green, illuminated		S2 Snap-in, black S4 Snap-in, black S1 Snap-in, white S3 Snap-in, white	
Termination			
15 .187" quick connect 05 .250" quick connect 07 Solder lug			
Actuator Marking			
(NONE) No marking D ON-OFF H "O I" - international ON-OFF P "O -" international ON-OFF			
Contact Rating			Lamp Rating
Q Silver (UL/CSA) QA Silver (UL/CSA with HP rating)			(NONE) No lamp 7 125 VAC neon 8 250 VAC neon

* CN22 - for switches with both marking and illumination

Rocker



Dimensions are shown: Inches (mm)
 Specifications and dimensions subject to change

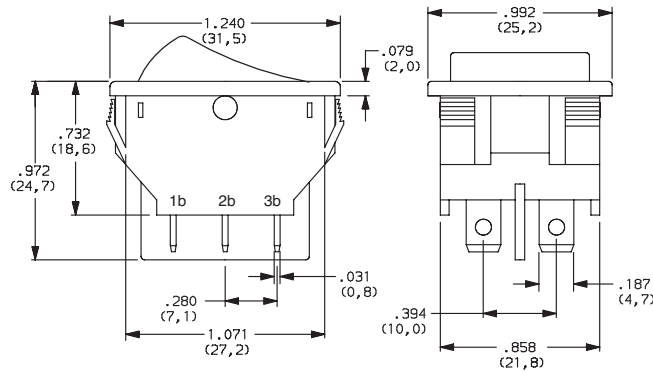
CN Series Double Pole Power Rocker Switches

SWITCH FUNCTION



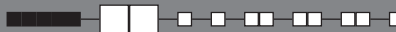
NO. POLES	MODEL NO.	SWITCH FUNCTION			CONNECTED TERMINALS			SCHEMATIC	
		Pos. 1	Pos. 2	Pos. 3	Pos. 1	Pos. 2	Pos. 3		
		C&K marking on opposite side			C&K marking on opposite side				
DP	CN201	ON	NONE	ON	2-1 4-5	N/A	2-3 6-5		
	CN202	ON	NONE	OFF				OPEN	
	CN22 *	ON	NONE	OFF					 For Illuminated Version

* CN22 - for switches with both marking and illumination

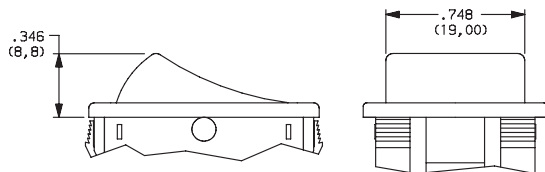


Shown in Pos. 1

ACTUATOR

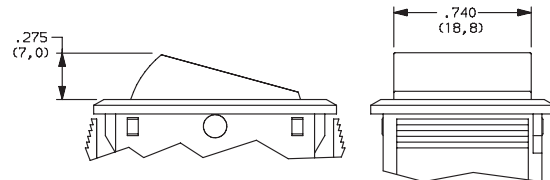


- J1** ROCKER
- J3** ILLUMINATED ROCKER

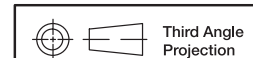


NOTE: J1 & J3 actuators available with Q contact rating only.
J3 actuator available with CN202 & CN22 switch function only.

- J6** ROCKER
- J8** ILLUMINATED ROCKER



NOTE: J6 & J8 actuators available with QA contact rating only.
J6 actuator available with CN201 & CN202 switch functions,
J8 actuator available with CN202 & CN22 switch function only.



Dimensions are shown: Inches (mm)
Specifications and dimensions subject to change

www.ck-components.com



CN Series Double Pole Power Rocker Switches

ACTUATOR COLOR

OPTION CODE	ACTUATOR COLOR
2	BLACK
1	WHITE
3	RED
R	RED, ILLUMINATED
A	AMBER, ILLUMINATED
G	GREEN, ILLUMINATED

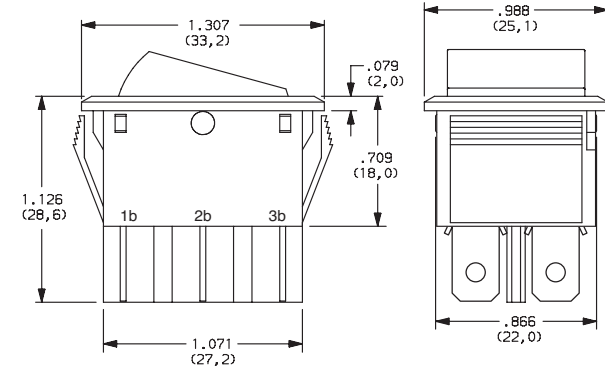
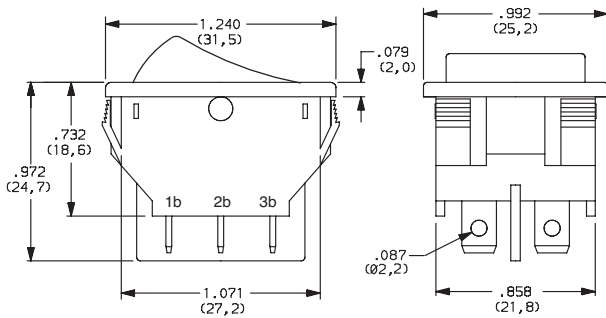
MOUNTING STYLE/COLOR

S2 SNAP-IN, BLACK

S1 SNAP-IN, WHITE

S4 SNAP-IN, BLACK

S3 SNAP-IN, WHITE



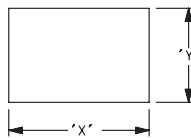
NOTE: Available with 15 termination and Q contact rating only.

Shown in Pos. 1

NOTE: Available with 05 termination and QA contact rating only.

Shown in Pos. 1

PANEL MOUNTING

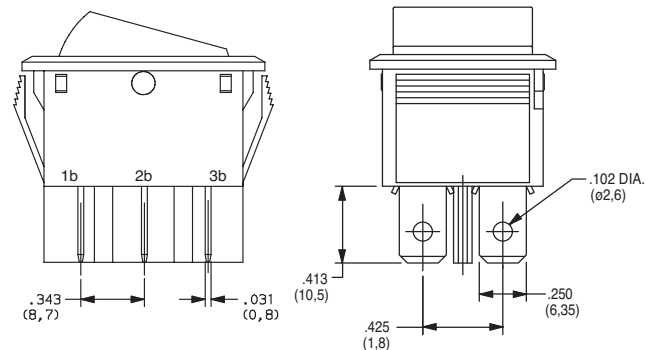
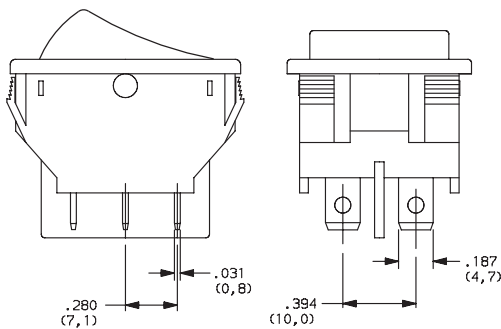


PANEL THICKNESS	"X"	"Y"
0.030-0.049 (0,75-1,25)	1.190-.004 (30,2-0,1)	0.874+.004 (22,2+0,1)
0.049-0.079 (1,25-2,0)	1.197-.004 (30,4-0,1)	0.874+.004 (22,2+0,1)
0.079-0.118 (2,0-3,0)	1.213-.004 (30,8-0,1)	0.874+.004 (22,2+0,1)

TERMINATION

15 .187" QUICK CONNECT

05 .250" QUICK CONNECT



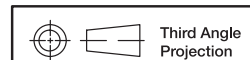
NOTE: Available with S1 & S2 mounting style and Q contact rating only.

Shown in Pos. 1

NOTE: Available with S3 & S4 mounting styles and QA contact rating, CN201 & CN202 switch functions only.

Shown in Pos. 1

Rocker



Third Angle Projection

Dimensions are shown: Inches (mm)
Specifications and dimensions subject to change

www.ck-components.com



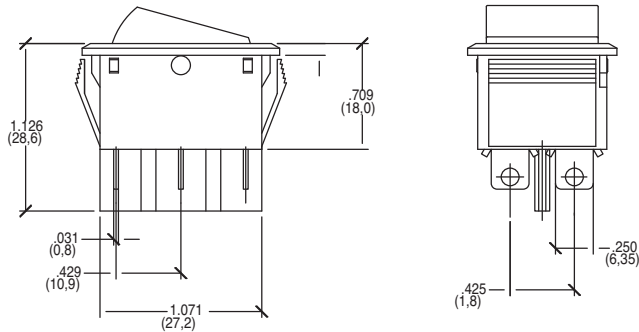
G

C&K

CN Series Double Pole Power Rocker Switches

TERMINATION

07 SOLDER LUG



Shown in Pos. 1

ACTUATOR MARKING

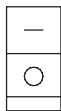
NONE NO MARKING



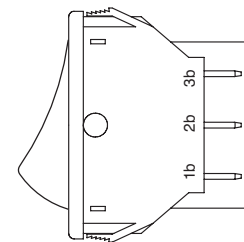
D ON-OFF



H O I



P O -



NOTE: Orientation of actuator marking and terminals.

Shown in Pos. 1

CONTACT MATERIAL

OPTION CODE	CONTACT AND TERMINAL MATERIAL	RATINGS	
		Q	SILVER
QA*	16 AMPS @ 125 VAC, 1/8 HP @ 125 VAC; 10 AMPS @ 250 VAC, 1/3 HP @ 250 VAC (UL/CSA)		

* Not available with CN203, CN205 & CN207 switch functions.

* Note: See Technical Data section of this catalog for RoHS compliant and compatible definitions and specifications.

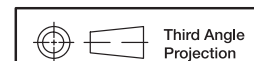
LAMP RATING

(NONE) NO LAMP

7 125 VAC 33kΩ NEON

8 250 VAC 150kΩ NEON

NOTE: Lamp rating for J3 & J8 actuator options.



Third Angle
Projection

Dimensions are shown: Inches (mm)
Specifications and dimensions subject to change

www.ck-components.com

