

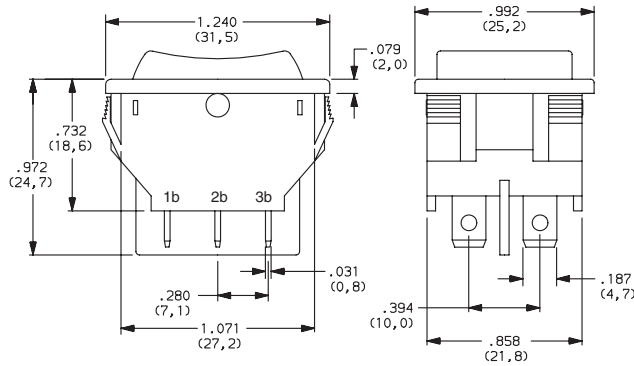


# C&K CN Series Double Pole Power Rocker Switches

## SWITCH FUNCTION

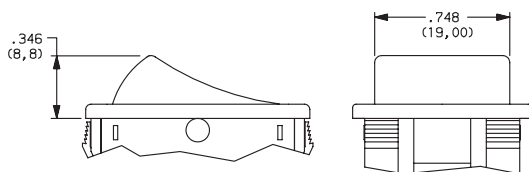
NO. POLES	MODEL NO.	SWITCH FUNCTION			CONNECTED TERMINALS			SCHEMATIC
DP	<b>CN201</b>	ON	NONE	ON	2-3	N/A	2-1	   For Illuminated Version
	<b>CN202</b>	ON	NONE	OFF				
	<b>CN22 *</b>	ON	NONE	OFF				

\* CN22 - for switches with both marking and illumination



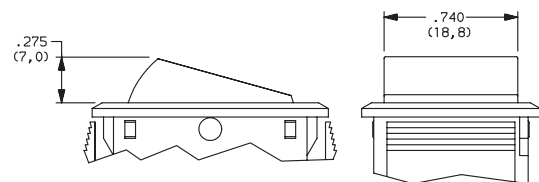
## ACTUATOR

- J1** ROCKER
- J3** ILLUMINATED ROCKER



**NOTE:** J1 & J3 actuators available with Q contact rating only.  
J3 actuator available with CN202 switch function only.

- J6** ROCKER
- J8** ILLUMINATED ROCKER



**NOTE:** J6 & J8 actuators available with QA contact rating only.  
J6 actuator available with CN201 & CN202 switch functions,  
J8 actuator available with CN202 switch function only.

# C&K CN Series Double Pole Power Rocker Switches

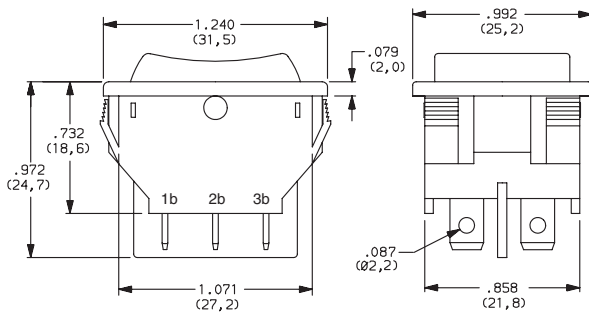
## ACTUATOR COLOR

OPTION CODE	ACTUATOR COLOR
<b>2</b>	(STD.) BLACK
<b>1</b>	WHITE
<b>3</b>	RED
<b>R</b>	RED, ILLUMINATED
<b>A</b>	AMBER, ILLUMINATED
<b>G</b>	GREEN, ILLUMINATED

## MOUNTING STYLE/COLOR

**S2 (STD.) SNAP-IN, BLACK**

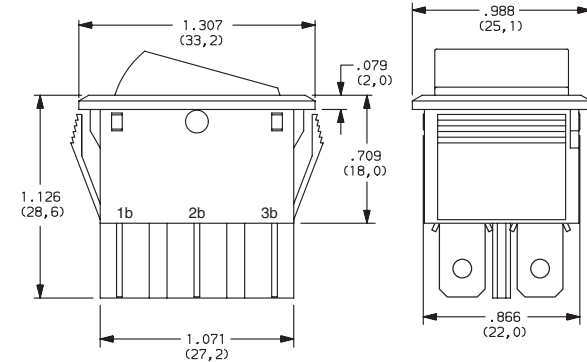
**S1 SNAP-IN, WHITE**



NOTE: Available with 15 termination and Q contact rating only.

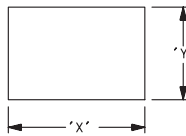
**S4 (STD.) SNAP-IN, BLACK**

**S3 SNAP-IN, WHITE**



NOTE: Available with 05 termination and QA contact rating only.

### PANEL MOUNTING

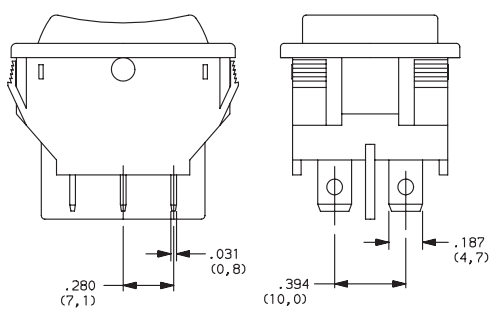


PANEL THICKNESS	"X"	"Y"
0.030-0.049 (0.75-1.25)	1.190-.004 (30,2-0.1)	0.874+.004 (22,2+0.1)
0.049-0.079 (1.25-2.0)	1.197-.004 (30,4-0.1)	0.874+.004 (22,2+0.1)
0.079-0.118 (2,0-3,0)	1.213-.004 (30,8-0.1)	0.874+.004 (22,2+0.1)

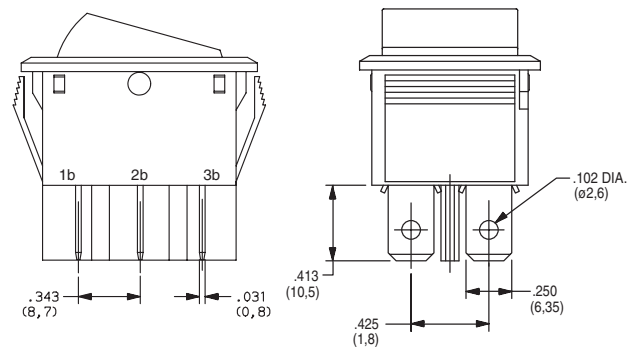
## TERMINATION

**15 (STD.) .187" QUICK CONNECT**

**05 .250" QUICK CONNECT**



NOTE: Available with S1 & S1 mounting style and Q contact rating only.

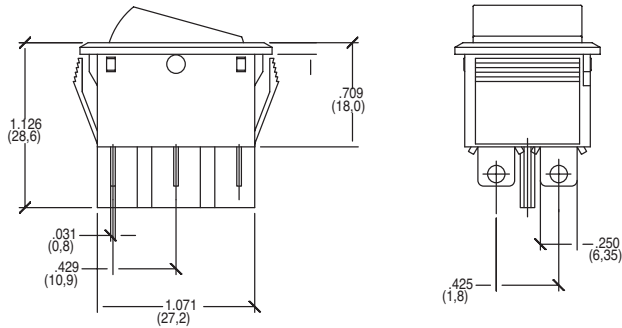


NOTE: Available with S3 & S4 mounting styles and QA contact rating, CN201 & CN202 switch functions only.

# C&K CN Series Double Pole Power Rocker Switches

## TERMINATION

### 07 SOLDER LUG

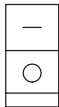


## ACTUATOR MARKING

### NONE (STD.) NO MARKING



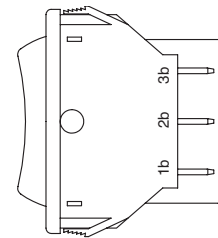
### H O I



### D ON-OFF



### P O -



NOTE: Orientation of actuator marking and terminals.

## CONTACT MATERIAL

OPTION CODE	CONTACT AND TERMINAL MATERIAL	RATINGS
<b>Q</b> (STD.)	SILVER	16 AMPS @ 125 VAC; 10 AMPS @ 250 VAC (UL/CSA)
<b>QA*</b>		16 AMPS @ 125 VAC, 1/8 HP @ 125 VAC; 10 AMPS @ 250 VAC, 1/3 HP @ 250 VAC (UL/CSA)

\* Not available with CN203, CN205 & CN207 switch functions.

## LAMP RATING

### (NONE) NO LAMP

**7** 125 VAC 33kΩ NEON

**8** 250 VAC 150kΩ NEON

NOTE: Lamp rating for J3 & J8 actuator options.